

Service Manual Cars

Section 3(39)
Wiring Diagrams
850 1994

TP 3903202

VOLVO

Contents

How to use the diagrams	2	Group 38	
Fuses	4	Bulb malfunction indicator	96
Ignition switch and central electrical unit	5	Seat belt reminder	98
Relays outside the central electrical unit	6	Seat belt and key reminder, USA, Canada, Korea	100
Connectors	7	Combined instrument, VDO	102
Wiring harness and connectors		Combined instrument, Yasaki	106
Overview, LHD cars	26	Clock module/ambient temp. and clock module/trip computer (combined instrument VDO)	110
Wiring harness and connectors		Clock module/ambient temp. and clock module (combined instrument Yasaki)	112
Overview, RHD cars	27	Oil level and oil pressure sensors	114
Harness placement in car	28		
Ground connections	34		
		Group 39	
Group 23/28		Radio, 4-door	116
Multipoint fuel injection (MFI), LH 3.2 & EZ 129 K	36	Radio, 5-door	118
Multipoint fuel injection (MFI) system, Fenix 5.2	38		
Sequential fuel injection (SFI) system, Motronic 4.3	40	Group 43	
		AW 50-42 electronically controlled automatic transmission (LH 3.2 & EZ 129 K MFI & DI)	120
Group 26		AW 50-42 electronically controlled automatic transmission (Fenix 5.2 MFI)	122
Engine cooling fan (EZ 129 K DI)	42	AW 50-42 electronically controlled automatic transmission (Motronic 4.3 SFI)	124
Engine cooling fan (Fenix 5.2, Motronic 4.3 SFI)	44	P-shift lock, automatic transmission	126
		Group 59	
Group 27		ABS brake system and TRACS	128
Cruise control	46		
		Group 83	
Group 32/33		Power windows	130
Charging circuit and starting system	48	Central locking, 4-door	132
		Central locking, 5-door	134
Group 35		Central locking with deadlock, 4-door	136
High and low beams	50	Central locking with deadlock, 5-door	138
High and low beams, DIM-DIP (GB)	52	Power sunroof	140
Beam width control	54		
Parking lights, tail lights and number plate lights, 4-door	56	Group 84	
Parking lights, tail lights and number plate lights, 5-door	58	Heated rear window and door mirrors	142
Brake lights, 4-door	60	Power door mirrors	144
Brake lights, 5-door	62		
Backup (reversing) lights	64	Group 85	
Rear fog lights	66	Electrically heated seats	146
Inside lighting, 4-door	68	Heated rear seat	148
Inside lighting, 5-door	70	Power seat with memory	150
Instrument and control lighting	72		
		Group 87	
Group 36		Heater fan	152
Turn signal / hazard lights, 4-door	74	Manual climate unit MCC (LH 3.2 & EZ 129 K)	154
Turn signal / hazard lights, 5-door	76	Manual climate unit MCC (Fenix 5.2 MFI, Motronic 4.3 SFI)	156
Horn	78	Electronic climate unit ECC (LH 3.2 & EZ 129 K)	158
Windshield and headlight wash/wipe	80	Electronic climate unit EZZ (Fenix 5.2 MFI and Motronic 4.3 SFI)	160
Tailgate wash/wipe	82	Exhaust temperature sensor (Japan)	162
Cigar lighter	84		
Anti-theft alarm, 4-door	86	Group 88	
Anti-theft alarm, 5-door	88	Supplemental Restraint System (SRS)	164
		Supplemental Restraint System (SRS), USA/Canada	166
Group 37		Comments	168
Electrical circuitry	90	Component list (fold-out)	at end of book
On-board diagnostic system (OBD system)	92	Alphabetical index	at end of book
Pre-routed wiring for accessories	94		

Order no. TP 3903032 (UK) Supersedes TP 3903031	Order no. TP 3903202 (USA/CDN) Supersedes TP 3903201
---	--

We reserve the right to make alterations without prior notification.

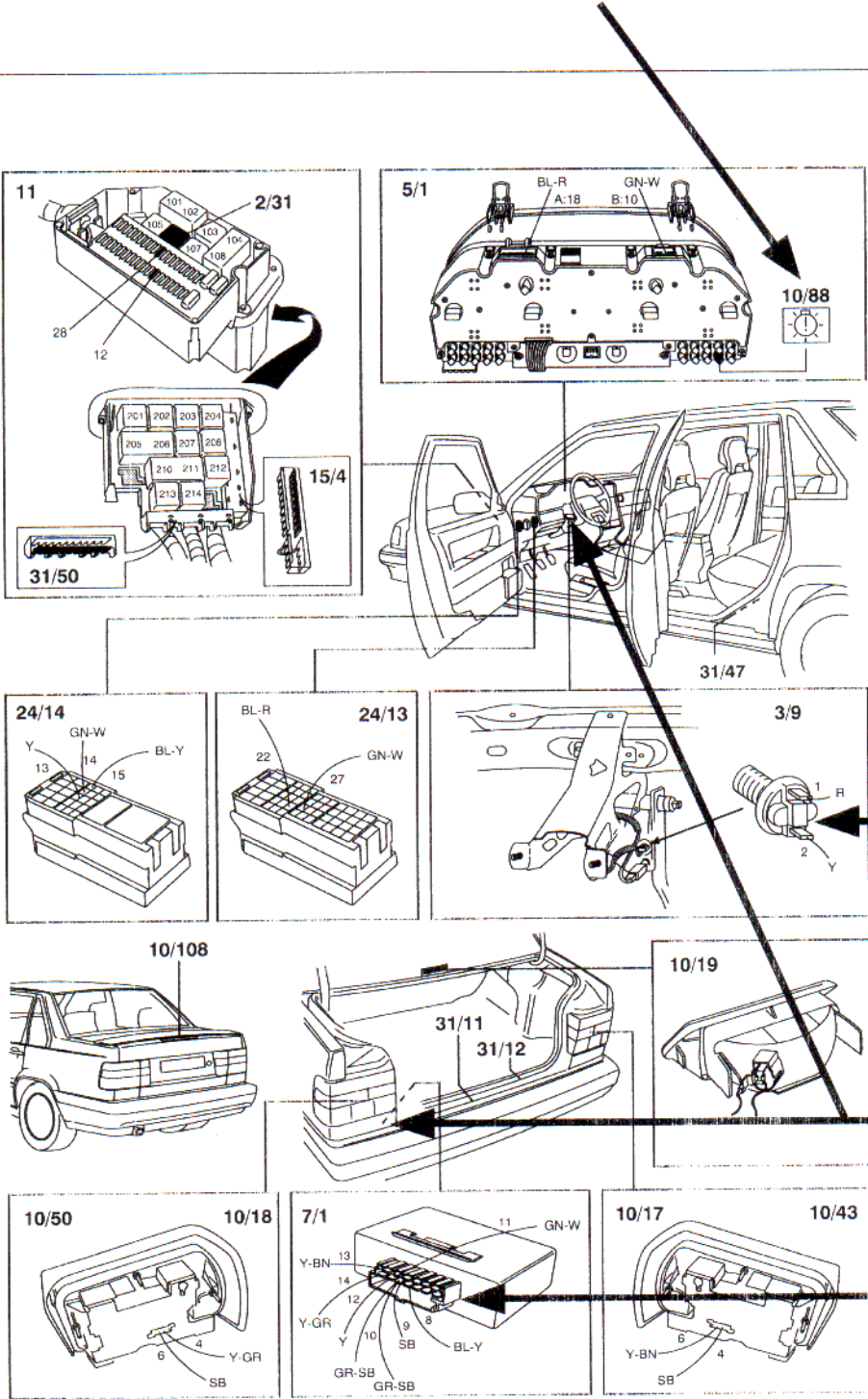
How to use the diagrams

The component ID usually consists of a type number and a component number. The type number (in this case 10) identifies the type of component, i.e. a lamp, switch or electric motor. (For specifics, see list on right) The component number (88) identifies the specific component in question, i.e. bulb failure warning lamp, light switch or sunroof motor.

Type numbers:

- 1 Battery
- 2 Relay
- 3 Switch
- 4 Control module
- 5 Combined instrument
- 6 Electric motor
- 7 Sensor
- 8 Actuator
- 9 Heater element
- 10 Lamp
- 11 Fuse
- 14 Contact reel
- 15 Distribution rail, current supply
- 16 Audio
- 17 Service socket
- 18 Bridge connector
- 19 Gauge
- 20 Ignition component
- 23 Branching point
- 24* Connector
- 31 Ground connection

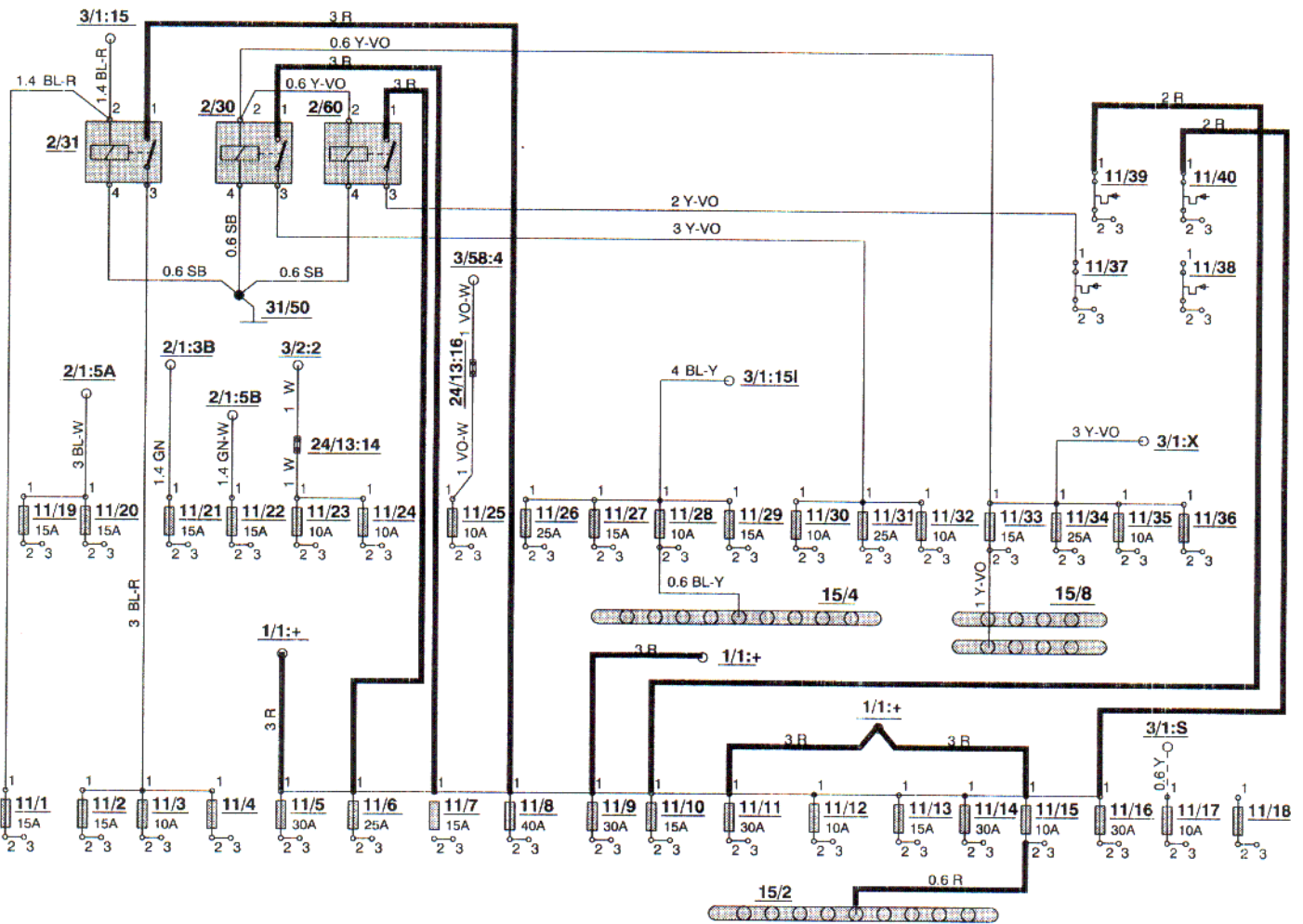
* In certain cases the letter C is used. In those cases the component number is also replaced by letters.



Here you can see how the leads are connected to the components.

You can also see the location in the car of the components related to the function in question.

Fuses



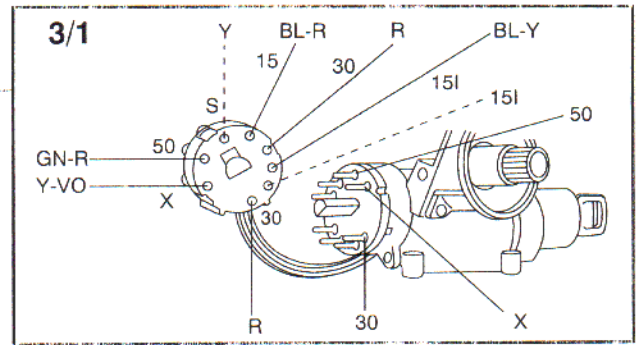
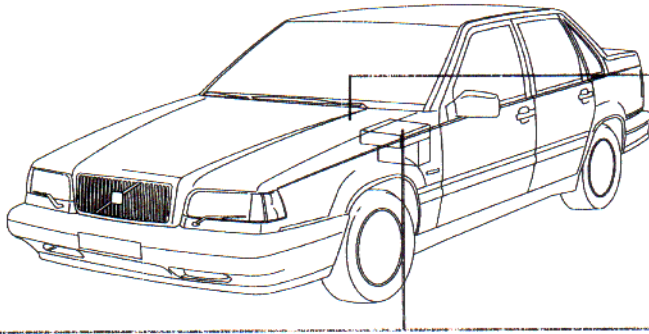
Fuse no. Circuits

- 1 LH 3.2 Multiport fuel injection (MFI), EZ 129 K Distributor Ignition (DI) Motronic 4.3 SFI, Automatic transmission, Fenix 5.2 fuel and ignition system, Main relay, Fenix 5.2 fuel system (MFI)
- 2 Fuel pump , Alarm
- 3 Exhaust temp. sensor (Japan), Oil level and pressure sensors, Inside lights, Speed warning
- 4 Spare
- 5 Heater fan, 4th speed
- 6 Central lock , Alarm, Relay for deadlock setting
- 7 Radio
- 8 Air pump
- 9 ABS, TRACS
- 10 Heated rear seat
- 11 Heated rear window and door mirrors
- 12 Brake lights
- 13 Turn signal/hazard lights, High beam flasher, Alarm
- 14 ABS, TRACS
- 15 Oil level and pressure sensors
+30-rail (15/2):
Inside lighting, Glove box lighting, Entry lighting, Open-door warning lamps, Boot lighting/alarm, Remote-controlled central locking/alarm, Seat belt reminder, diagnostic socket OBDII (17/13)
- 16 Power antenna, (trailer socket), (Accessories)
- 17 Key warning USA, Canada, Korea
- 18 Spare
- 19 High beam, left

Fuse no. Circuits

- 20 High beam, right, High beam warning (Accessories)
- 21 Low beam, left (Accessories)
- 22 Low beam, right
- 23 Parking lights, Number plate light (Accessories)
- 24 Parking lights
- 25 Rear fog lights, rear fog light warning
- 26 Heated front seats, Power door mirrors
- 27 Back-up lights, Turn signal, TRACS
- 28 DIM-DIP Regulator
+15l-rail (15/4):
Heated rear window and door mirrors
Seat belt reminder, Cruise control, Bulb malfunction indicator, Germany, P-shift lock automatic transmission, Heated rear seat
- 29 ABS, TRACS
- 30 Cigar lighter
- 31 Heater fan speeds 1-3, X supply A/C unit
- 32 Radio, Remote-controlled central locking/alarm
- 33 Data link connector (DLC) A (17/7)
X-rail (15/8):
Power seat, Beam width control, Tailgate wash/wipe
- 34 Windshield wiper/washer, Horn, Headlight wiper/washer
- 35 Ashtray lighting, Instrument and control lighting, Rheostat, Cigarlighter illumination (Accessories)
- 36 Spare
- 37 Trip fuse for power windows and power sunroof
- 38 Spare
- 39 Automatic fuse for power seat, left
- 40 Automatic fuse for power seat, right

Ignition switch and central electrical unit, fuses and relays



Ignition switch

Inputs

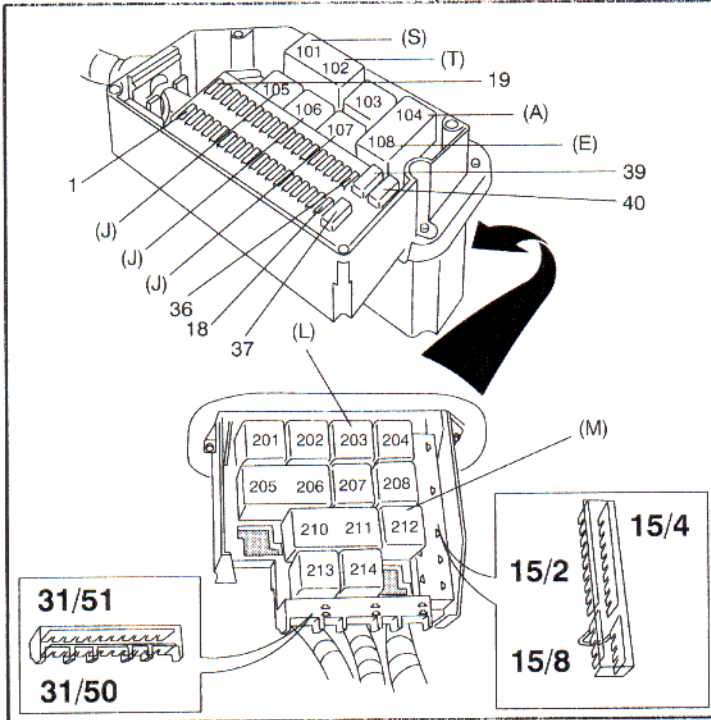
+30: two leads from battery positive terminal

Outputs

Key position:

Voltage at connection:

-	Key out	30
0	Off	30, S
I	Radio	30, S, X
II	Drive	30, S, X, 15, 15I
III	Start	30, S, 15, 50



Connection rails in central electrical unit

- 15/2 30 rail
- 15/4 15I rail
- 15/8 X rail
- 31/50 Ground connection rail (power ground)
- 31/51 Ground connection rail (signal ground)

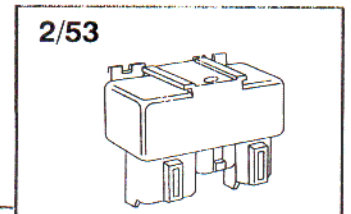
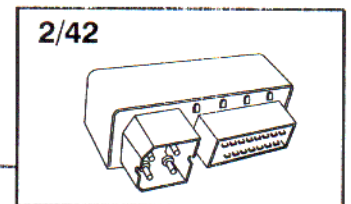
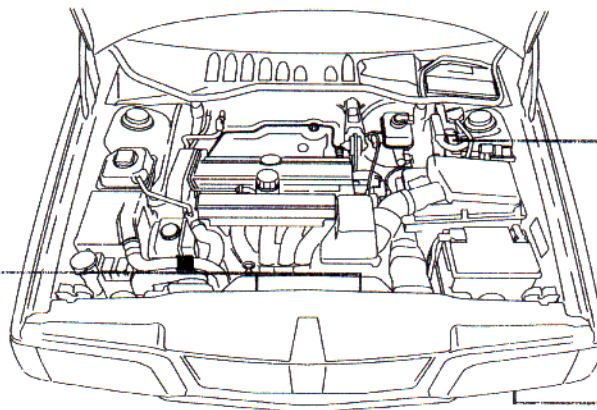
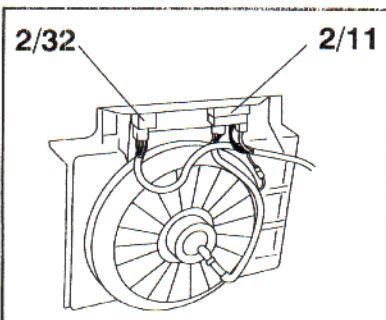
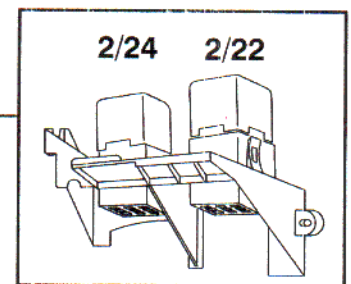
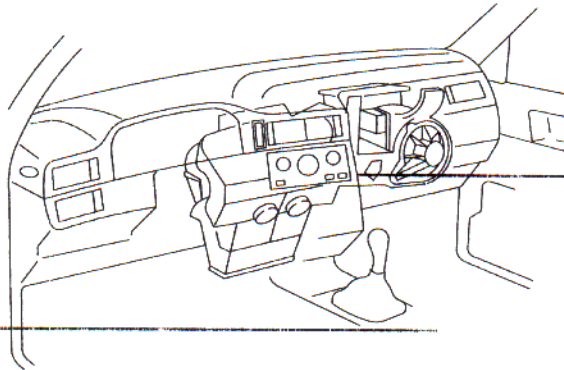
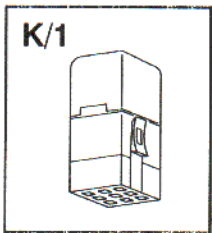
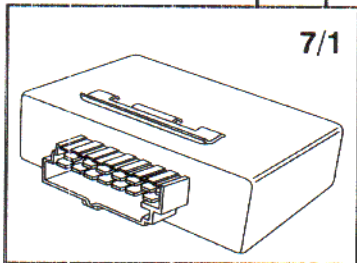
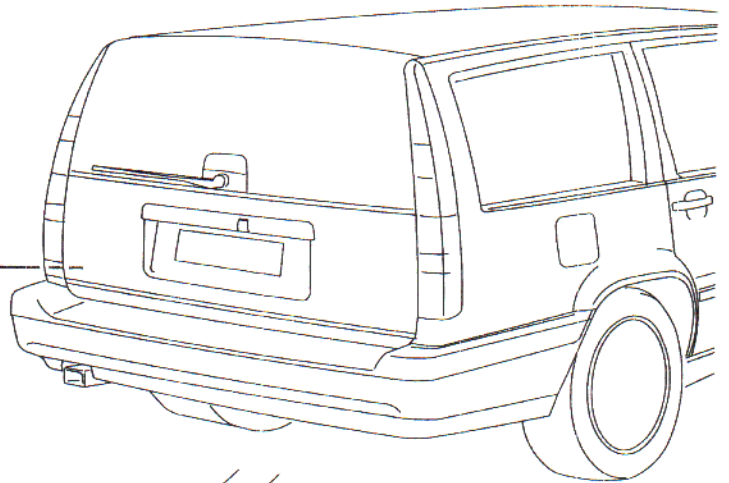
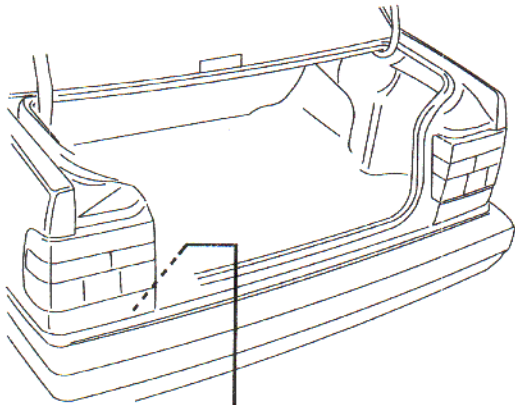
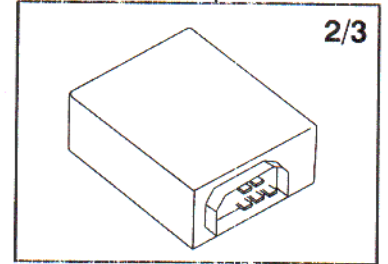
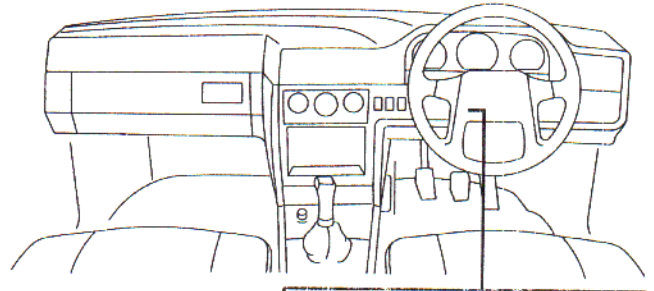
Relays in central electrical unit

- 101-102 Control module, cruise control (4/3)
- 103 Fuel pump relay (2/23)
- 104, 108 Main headlight relay with bulb malfunction indicator (2/1)
- 105 Overload relay +X supply (2/30)
- 106 Overload relay +15 supply (2/31)
- 107 Overload relay +X supply (2/60)
- 201 Control module, oil level sensor (4/18)
- 202 Relay, deadlock setting (2/47)
- 203 Relay, windshield intermittent wiper (2/4)
- 204 Relay, tailgate intermittent wiper (2/16)
- 205-206 Relay, central lock and delayed inside lighting (2/7)
- 207 Speed warning (2/51) or exhaust temp. sensor relay (2/15)
- 208 Relay, heated rear window and door mirrors (2/44)
- 210-211 Relay, anti-theft alarm (2/28)
- 212 Relay, seat belt reminder/key warning (2/5)
- 213 Relay, P-shift lock (2/45)
- 214 Relay, heated rear seat (2/43)

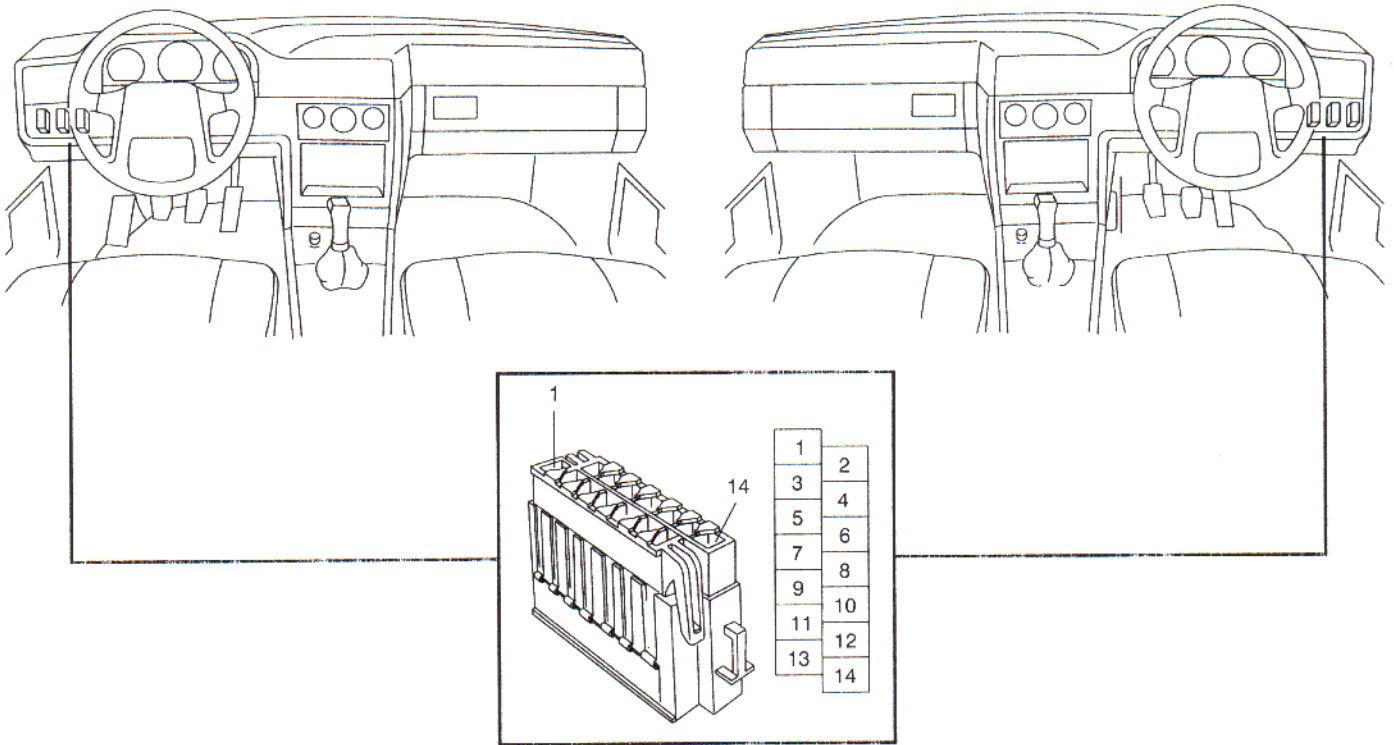
If the car is not equipped with a theft alarm, position 210 is bridged and 211 is unconnected.

Relays outside the central electrical unit

- 2/3 DIM-DIP regulator
- 2/11 Engine cooling fan relay
- 2/22 A/C relay
- 2/24 Fan relay, max.
- 2/32 Main relay fuel system
- 2/42 Combination relay ABS
- 2/53 Relay, air pump
- 7/1 Rear bulb failure sensor
- K/1 Relay, autodown power window



Connector 24/1 (14-pole) Instrument panel harness - Firewall harness at left A-post



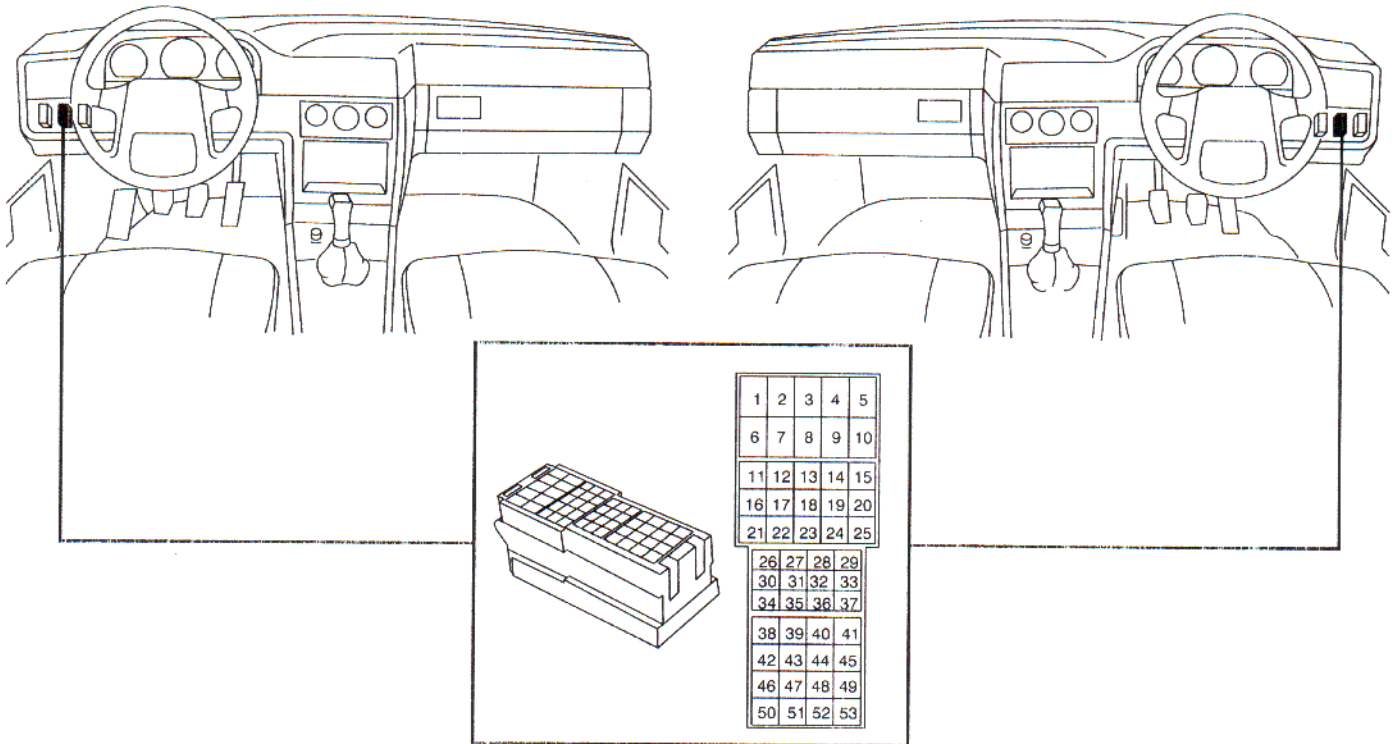
Pos	To/From		Via	Colour
1	Handbrake switch, warning signal	(-)		(Y)
2**)	3*) Lock, left front door, entry lighting	(-)	24/5:10	(W-SB)
3**)	2*) Lock, right front door, entry lighting	(-)	24/6:10	(Y-SB)
4	Control module, power sunroof, forward-signal	(+)	24/20:2	(GN)
5	Control module, power sunroof, rear-signal	(+)	24/20:3	(W)
6	Fuel level sensor	(variable signal)	24/4:12	(Y-GR)
7	Fuel level sensor	(-)	24/4:13	(Y-R)
8	Radio, ground left A-post	(-) Branching point	23/415	(SB)
9	Power antenna Antenna amplifier	(+)	24/3:34	(BL-W)
10	Branching point 23/414, from rheostat, variable supply to A/C lights ECC control module lights to tunnel control lighting to gear selector lighting to cigar lighter lighting, heated rear seat switch	(+)	24/12:2 24/12:2 24/7:6 24/37:1	(P)
11	SRS, warning signal			(GN-BN)
12	SRS, supply	(D+)		(R-W)
13	-			
14	-			

*) Only RHD cars

***) Only LHD cars

Connector 24/2 (53-pole)

Engine compartment harness - firewall harness at left A-post



Pos	To/From	Via	Colour
1	Power seat right, supply	(30+) 24/4:1	(GN)
2	Branching point 23/412, supply	(X+) 24/20:1	(BL)
	Control module, power sunroof		(BL)
	Power window switch		(BL)
3	-		
4	Heated rear window *)	(+) 24/3:5	(Y-R)
5	Seat heater switch, supply	15(+) 24/7:1	(BL-Y)
	Switch, power door mirrors, supply	24/7:1	
6	Climate unit, supply	(X+) 24/12:1	(Y-VO)
7	Relay, heater fan max (climate unit), supply	(30+) 24/10:1	(FI)
8	Relay, heater fan max (climate unit), supply	(30+) 24/10:1	(FI)
9	Power seat left, supply *)	(30+) 24/3:1	(GN-R)
10	Power antenna *)	(30+) 24/3:6	(GN-R)
11	Fuel pump , supply	(+) 24/4:11	(P)
12	Branching point 23/410 "open door warning"	(-) 24/5:2	(Y-W)
	Lock, left front door	24/3:30	
	Lock, left rear door	24/6:2	
	Lock, right front door	24/4:19	
	Lock, right rear door		
13	Courtesy light, delayed inner lighting	(-) 24/9:2	(P-SB)
14	Branching point 23/411, supply	(30+) 24/5:1	(F)
	Lock, left front door, open-door warning lamp	24/6:1	
	Lock, right front door, open-door warning lamp	24/3:31	
	Lock, left rear door, open-door warning lamp, trunk lighting	24/4:18	
	Lock, right rear door, open-door warning lamp	24/9:1	
	Courtesy light, Inside lighting		
	Vanity mirror lighting		
	OBD II socket		
15	Courtesy light, (Seat belt reminder)	(-) 24/9:3	(GR)

*) Only RHD cars

Connector 24/2 (53-pole)

Engine compartment harness - firewall harness at left A-post

Pos	To/From		Via	Colour
16	Seat belt lock, left or right seat	(-)	24/3:28 **) 24/4:16 *)	(GR-SB)
17	Power seat right, supply	(X+)	24/4:28	(Y-VO)
	Power seat left, supply		24/3:29	
18	Heated door mirrors, supply	(+)		(Y-R)
	left side		24/5:18	
	right side		24/6:18	
19	Branching point 23/408, central lock unlocking M+			(Y-BN)
	Lock, left front door		24/5:14	
	Lock, right front door		24/6:14	
	Lock, left rear door, boot lid and tank flap locking motor		24/3:35	
	Lock, right rear door		24/4:6	
20	Branching point 23/409 central lock locking M-	(-/+)		(Y)
	Lock, left front door		24/5:15	
	Lock, right front door		24/6:15	
	Lock, left rear door, boot lid, tank flap locking motor		24/3:36	
	Lock, right rear door		24/4:7	
21	Branching point to control module	(-)		(Y-GR)
	Lock, left front door		24/5:17	
	Lock, right front door		24/6:17	
	Lock, boot lid		24/3:37	
22	Lock, left front door, unlocking signal	(-)	24/5:16	(GR-R)
23	Lock, right front door, unlocking signal	(-)	24/6:16	(BL-P)
24	ABS sensor, left rear	(variable signal)	24/4:22	(GN-R)
25	ABS sensor, left rear	(-)	24/4:23	(GN-Y)
26	ABS sensor, right rear	(variable signal)	24/4:24	(GN-W)
27	ABS sensor, right rear	(-)	24/4:25	(GN-SB)
28	-			
29	A/C-relay (A/C-off from EZK, Fenix 5.2 or Motronic 4.3 control module)	(-)	24/11:2	(BL-SB)
30	A/C-relay (A/C-off to EZK, Fenix 5.2 or Motronic 4.3 control module)	(+)	24/11:3	(BL-GR)
31	SRS, supply	(X+)		(OR)
32	SRS, on-board diagnostic system (OBD system)			(BN-SB)
33	Solenoid, P-shift lock	(+)		(GN)
34	Program selector MS1 (Automatic transmission)	(-)	24/7:11	(BN-GR)
35	Program selector MS2 (Automatic transmission)	(-)	24/7:12	(GN-OR)
36	Program selector W (Automatic transmission)	(+)	24/7:13	(GR-OR)
37	Lock unit, left front door, key warning	(-)	24/5:10	(W-SB)
38	ECC control module, on board diagnosis (OBD)		24/11:4	(GN-BN)
39	ECC control module, ECT signal	(variable signal)	24/11:5	(GN-GR)
40	ECC control module, speed signal 48 pulses/wheel rev.	(pulse freq.)	24/11:6	(GR-W)
41	Switch, heated rear seat, left side	(-)	24/37:2	(R-W)
42	Switch, heated rear seat, right side	(-)	24/37:3	(BN-W)
43	Switch, heated rear seat, left side		24/37:4	(VO-W)
	Thermostat, rear seat left side		24/3:41	
44	Switch, heated rear seat, right side		24/37:5	(BL-W)
	Thermostat, rear seat right side		24/4:30	
45	Power seat left, on-board diagnosis (OBD)		24/3:45	(BN-OR)
	Power seat right, on-board diagnosis (OBD)		24/4:29	
46	Anti-theft lock position, left front door		24/5:4	(VO)
	Anti-theft lock position, left rear door		24/3:42	
47	Microswitch, deadlock, anti-theft alarm left front door		24/5:11	(BL-BN)
	Microswitch, deadlock, anti-theft alarm right front door		24/6:11	
48	Deadlock, right front door		24/6:4	(VO)
	Deadlock, right rear door		24/4:8	
49	-			
50	Control Module Motronic 4.3, OBDII diagnosis			(Y-BN)
51	Control Module Motronic 4.3 & auto. gearbox control module, OBDII			(W)
52	OBDII DLC, ground connector	(-)		(BN)
53	Cigar lighter, supply	(X+)		(Y-VO)

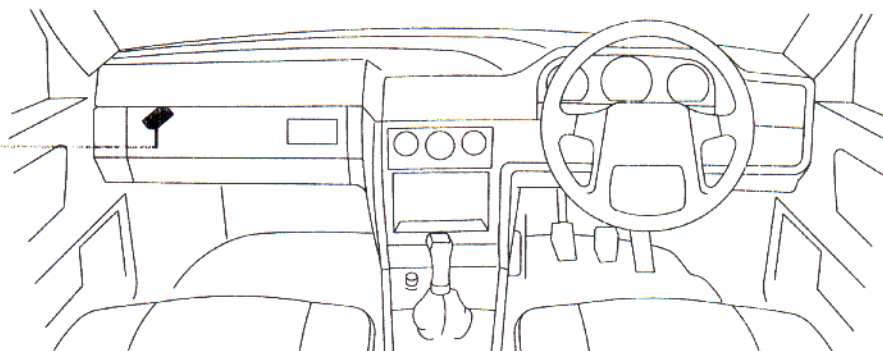
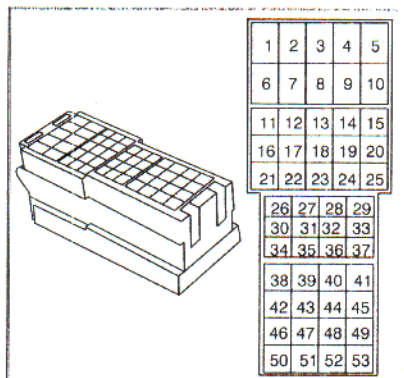
*) Only RHD cars

**) Only LHD cars

Connector 24/3 (53-pole)

RHD cars: 53-pole

Firewall harness - left door sill harness



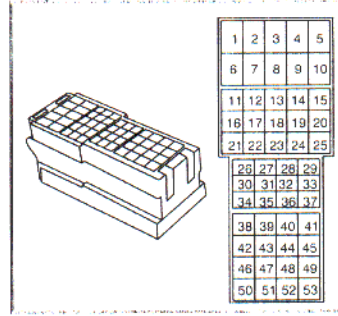
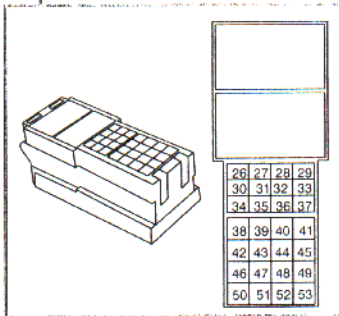
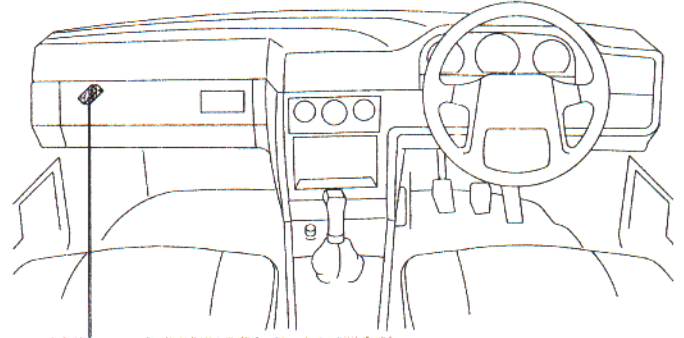
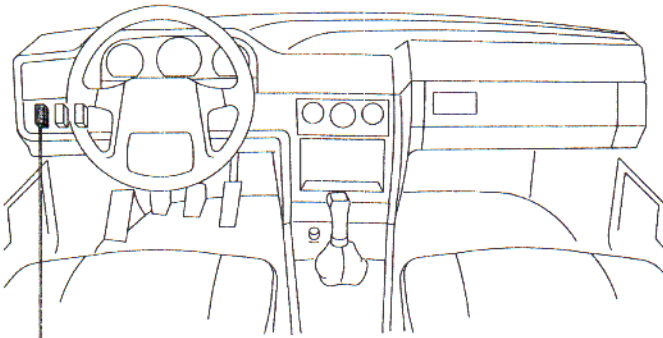
Pos	To/From		Colour
1	Power seat, left, supply	(30+)	(GN-R)
2	-		
3	-		
4	-		
5	Heated rear window	(30+)	24/25:1 (Y-R)
6	Power antenna	(30+)	(GR-R)
7	-		
8	-		
9	-		
10	-		
11	Bulb failure warning sensor, rear Parking lights 1 left and right Number plate lighting	(+)	24/25:11 (W)
12	Bulb failure warning sensor, rear Supply, warning function Parking light 2 left and right	(+)	(GR)
13	Bulb failure warning sensor, rear Brake lights, left/right and high-level brake light	(+)	(Y)
14	Bulb failure warning sensor, rear	(-)	(GN-W)
15	Bulb failure warning sensor, rear, supply	(15I+)	(BL-Y)
16	Backup (reversing) lights, left and right	(+)	(BL)
17	Rear fog light, right	(+)	(VO-W)
18	Turn signal, left rear	(+)	(GN)
19	Turn signal, right rear	(+)	(BL-GN)
20	Lock, trunk/tailgate, unlocking signal	(-)	24/25:6 (GN-BN)
21	Tailgate wash/wipe motor, supply	(X+)	24/25:9 (Y-VO) (BL-OR)
22	Tailgate wash/wipe motor, control signal	(+)	24/25:8 (GN-OR) (OR-SB)
23	Trunk/tailgate lighting Lock, trunk/tailgate lid, microswitch	(-)	24/25:13 (BL-BN)
24	-		
25	-		

Connector 24/3

LHD cars: pos. 26-53 in 53-pole

RHD cars: 53-pole

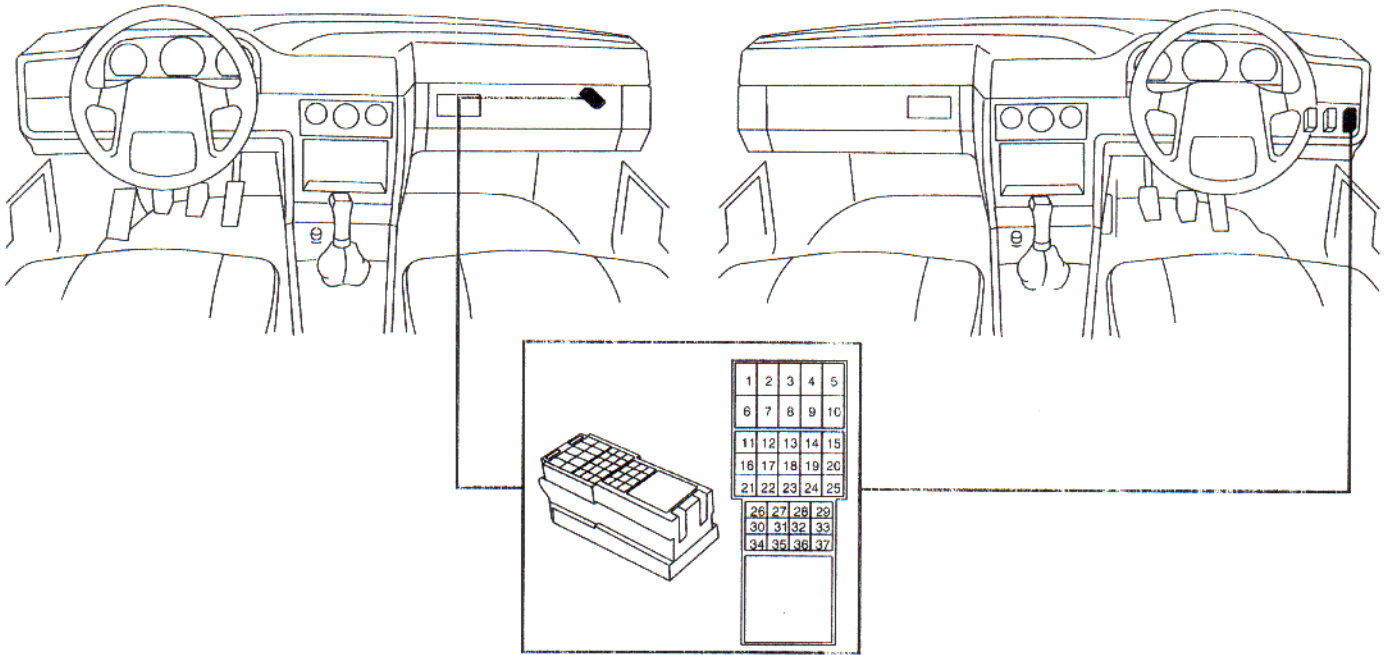
Firewall harness - left door sill



Pos	To/From		Via	Colour
26	-			
27	Heating coil, left seat	(+)	24/21:1	(Y-R)
28	Seat belt lock, left seat	(-)	24/21:6	(GR-SB)
29	Power seat, left, supply	(X+)		(Y-VO)
30	Lock, left rear door, open-door warning	(-)	24/17:11	(Y-W)
31	Lock, left rear door, open-door warning lamp supply Trunk lighting supply	(30+)	24/17:4 24/17:4	(R)
32	Loudspeaker, rear shelf, left D-post Loudspeaker, left rear door	(-)	24/17:1	(BN-W)
33	Loudspeaker, rear shelf, left D-post Loudspeaker, left rear door	(+)	24/17:2	(BN-SB)
34	Power antenna	(+)		(BL-W)
35	Branching point 23/400 central lock, Unlocking M+ Lock motor, rear door Lock motor, trunk lid Lock motor, tank cap	(-/+)	24/17:8 24/25:3 ***)	(Y-BN)
36	Branching point 23/401 central lock, Locking M- Lock motor, left rear Lock motor, trunk lid Lock motor, tank cap	(-/+)	24/17:9 24/25:4 ***)	(Y)
37	Lock, trunk, lock signal	(-)	24/25:5 ***)	(Y-GR)
38	Power window switch, left rear door	(+/-)	24/17:7	(GN-GR)
39	Power window switch, left rear door	(-/+)	24/17:10	(R-SB)
40	Power window switch, on/off left rear door	(+)	24/17:3	(GR-R)
41	Thermostat, left rear seat	(+)		(VO-W)
42	Lock motor, rear door, deadlock		24/17:6	(VO)
43	-			
44	-			
45	Power seat, left, on-board diagnostic system (OBD)			(BN-OR)
46	Seat belt tensioner, left side igniter	(+)		(BL-R)
47	Seat belt tensioner, left side igniter	(-)		(BL-W)
48	Loudspeaker, right D-post ***)	(+)		(P-W)
49	Loudspeaker, right D-post ***)	(-)		(P-SB)
50	-			
51	-			
52	-			
53	-			

***) Only 5-door cars

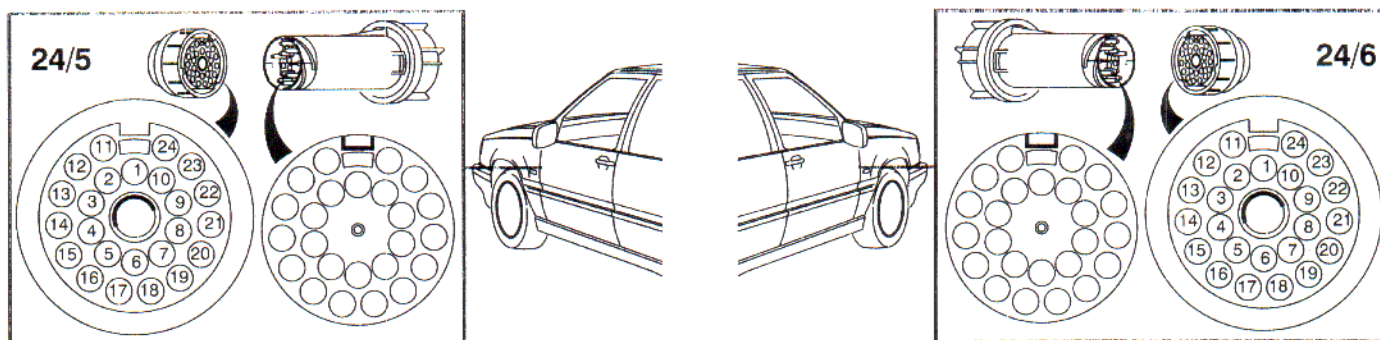
Connector 24/4, pos. 1-37 (53-pole) Firewall harness - door sill harness at right A-post



Pos	To/From		Via	Colour
1	Power seat, right, supply	(30+)		(GN)
2	Power window switch, right rear door	(+/-)	24/18:7	(GN-W)
3	Power window switch, right rear door	(-/+)	24/18:10	(GN-Y)
4	Power window switch, ON/OFF rear door	(+)	24/18:3	(GR-R)
5	-			
6	Lock, M+, right rear door, locking	(+/-)	24/18:8	(Y-BN)
7	Lock, M-, right rear door, locking	(-/+)	24/18:9	(Y)
8	Lock, rear door, deadlock		24/18:6	(VO)
9	-			
10	-			
11	Fuel pump , supply	(+)		(P)
12	Fuel level sensor	(variable signal)		(Y-GR)
13	Fuel level sensor	(-)		(Y-R)
14	Loudspeaker, rear shelf, right Loudspeaker, right rear door	(+)	24/18:1	(P-W)
15	Loudspeaker, rear shelf, right Loudspeaker, right rear door	(-)	24/18:2	(P-SB)
16	Seat belt lock, right seat	(-)	24/22:6	(GR-SB)
17	-			
18	Lock, right rear door, supply open-door warning lamp	(30+)	24/18:4	(R)
19	Lock, right rear door, "open-door warning"	(-)	24/18:11	(Y-W)
20	-			
21	Heating coil, right seat	(+)	24/22:1	(GN-BN)
22	ABS sensor, left rear	(variable signal)	24/19:1	(GN-R)
23	ABS sensor, left rear	(-)	24/19:3	(GN-Y)
24	ABS sensor, right rear	(variable signal)	24/19:2	(GN-W)
25	ABS sensor, right rear	(-)	24/19:4	(GN-SB)
26	-			
27	-			
28	Power seat, supply	(X+)		(Y-VO)
29	Power seat, on-board diagnostic system (OBD)			(BN-OR)
30	Thermostat, right rear seat	(+)		(BL-W)
31	-			
32	-			
33	-			
34	Seat belt tensioner, right igniter	(+)		(BL-R)
35	Seat belt tensioner, right igniter	(-)		(BL-W)
36	-			
37	-			

Connector 24/5

Connector 24/6



Connector 24/5 (24-pole). Firewall harness - Left front door harness

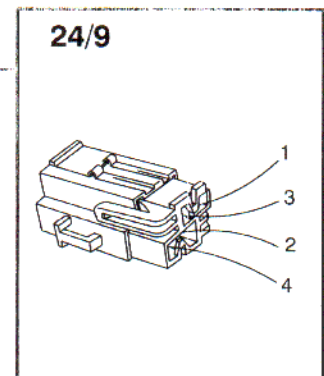
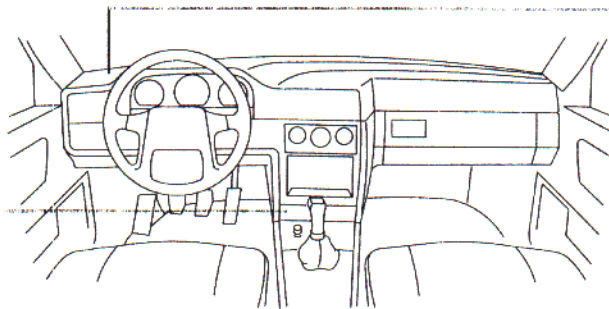
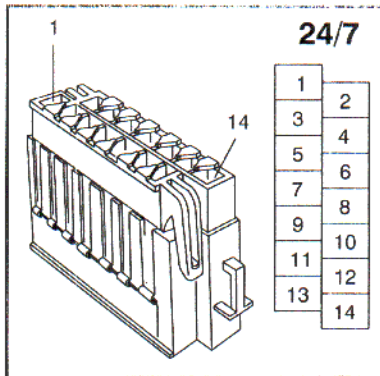
Pos	To/From		Colour
1	Lock, supply open-door warning lamp	(30+)	(R)
2	Lock, "open-door warning"	(-)	(Y-W)
3	-		
4	Lock unit, deadlock position		(VO)
5	Door loudspeaker	(+)	(GN-W)
6	Door mirror, heating coil ground point Lock unit, ground connection	(-)	(SB)
7	Door loudspeaker	(-)	(GN-BN)
8	-		
9	-		
10	Lock, entry lighting and key-warning	(-)	(W-SB)
11	Lock, deadlock/anti-theft alarm (microswitch)	(-)	(BL-BN)
12	-		
13	Power window motor	(+/-)	(BL-GN)
14	Lock unit, unlocking M+	(+/-)	(Y-BN)
15	Lock unit, locking M-	(-/+)	(Y)
16	Lock, unlocking signal	(-)	(GR-R)
17	Lock, locking signal	(-)	(Y-GR)
18	Door mirror heating coil, supply	(+)	(Y-R)
19	Power door mirror, horizontal adjustment	(+/-)	(GR)
20	Power door mirror, vertical/horizontal adjustment	(-/+)	(BN-W)
21	Power door mirror, vertical adjustment	(+/-)	(BN-SB)
22	Power window motor	(-/+)	(GN)
23	-		
24	-		

Connector 24/6 (24-pole). Firewall harness - Right front door harness

Pos	To/From		Colour
1	Lock, supply open-door warning lamp	(30+)	(R)
2	Lock, "open-door warning"	(-)	(Y-W)
3	-		
4	Lock unit, deadlock position		(VO)
5	Door loudspeaker	(+)	(GN-W)
6	Door mirror, heating coil ground point Lock unit, ground connection	(-)	(SB)
7	Door loudspeaker	(-)	(R-SB)
8	-		
9	-		
10	Lock, entry lighting	(-)	(Y-SB)
11	Lock, deadlock/anti-theft alarm (microswitch)	(-)	(BL-BN)
12	-		
13	Power window motor	(+/-)	(BL-GN)
14	Lock unit, unlocking motor M+	(+/-)	(Y-BN)
15	Lock unit, locking motor M-	(-/+)	(Y)
16	Lock, unlocking signal	(-)	(BL-P)
17	Lock, locking signal	(-)	(Y-GR)
18	Door mirror heating coil, supply	(+)	(Y-R)
19	Power door mirror, horizontal adjustment	(+/-)	(GR)
20	Power door mirror, vertical/horizontal adjustment	(-/+)	(BN-W)
21	Power door mirror, vertical adjustment	(+/-)	(BN-SB)
22	Power window motor	(-/+)	(W)
23	-		
24	-		

Connector 24/7 (14-pole) Firewall harness - Tunnel harness

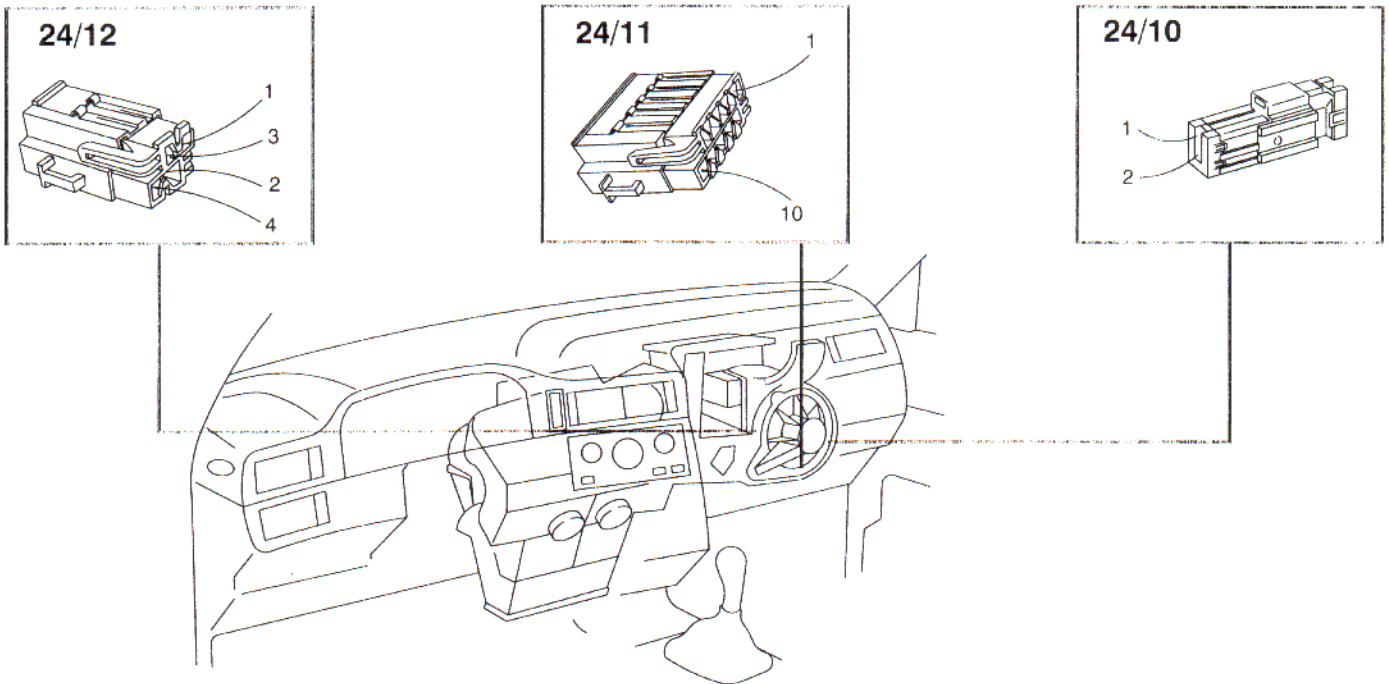
Pos	To/From	Colour
1	Branching point 23/503, supply Switch, left seat heater Switch, right seat heater Switch, left power door mirror Switch, right power door mirror	(15I+) (BL-Y)
2	Switch, left power door mirror, horizontal adjustment	(+/-) (GN-GR)
3	Left seat heater switch	+ (Y-R)
4	Switch, left power door mirror, horizontal-vertical adjustment	(-/+) (GN-R)
5	Right seat heater switch	(+) (GN-BN)
6	Left seat heater switch, control lighting variable supply Right seat heater switch control lighting variable supply Ashtray lighting, rear, variable supply	(+) (P)
7	Left power door mirror switch, vertical adjustment	(X+) (GN-Y)
8	Right power door mirror switch, horizontal adjustment	(+/-) (GR)
9	Right power door mirror switch, horizontal-vertical adjustment	(-/+) (BN-W)
10	Right power door mirror switch, vertical adjustment	(+/-) (BN-SB)
11	Program selector MS1 (Automatic transmisson)	(-) (BN-GR)
12	Program selector MS2 (Automatic transmisson)	(-) (GN-OR)
13	Program selector W (Automatic transmisson)	(+) (GR-OR)
14	Branching point 23/502, ground, Program selector (Automatic transmisson) Left seat heater switch Right seat heater switch Control, left power door mirror Control, right power door mirror Ashtray lighting, rear	(SB)



Connector 24/9 (4-pole) Firewall harness - Roof harness

Pos	To/From	Colour
1	Courtesy light, supply	(30+) (R)
2	Courtesy light, delayed inner lighting	(-) (P-SB)
3	Courtesy light (Seat belt reminder)	(-) (GR)
4	Courtesy light, ground point Reading light, left rear Reading light, right rear	(SB)

Connectors 24/10, 24/11, 24/12



Connector 24/10 (2-pole), Firewall harness - Heater fan / A/C harness

Pos	To/From	Colour
1	Fan relay, max, supply Branching point 23/309, ECC supply Cabin fan Cabin fan power unit	(30+) (R)
2	Branching point 23/304, ground A/C Fan relay, max REC and A/C switch Recirculation servomotor Lighting, A/C Heater fan ECC control module Heater fan power unit Cabin temperature sensor	(-) (SB)

Connector 24/11 (10-pin), Firewall harness - A/C harness

Pos	To/From	Colour
1	-	
2	A/C relay (A/C-off from control module (EZK) (DI) (Fenix 5.2) (MFI) or Motronic 4.3	(-) (BL-SB)
3	A/C relay (A/C-off to control module (EZK) (DI) (Fenix 5.2) (MFI) or Motronic 4.3	(-) (BL-GR)
4	ECC control module, on-board diagnostic system (OBD)	(GN-BN)
5	ECC control module, engine temp-signal	(variable signal) (GN-GR)
6	ECC control module, speed signal 58/pulses wheel revolution	(pulse frequency) (GR-W)
7	-	
8	-	
9	-	
10	ECC control module, ground connection *)	(-) (GR-SB)

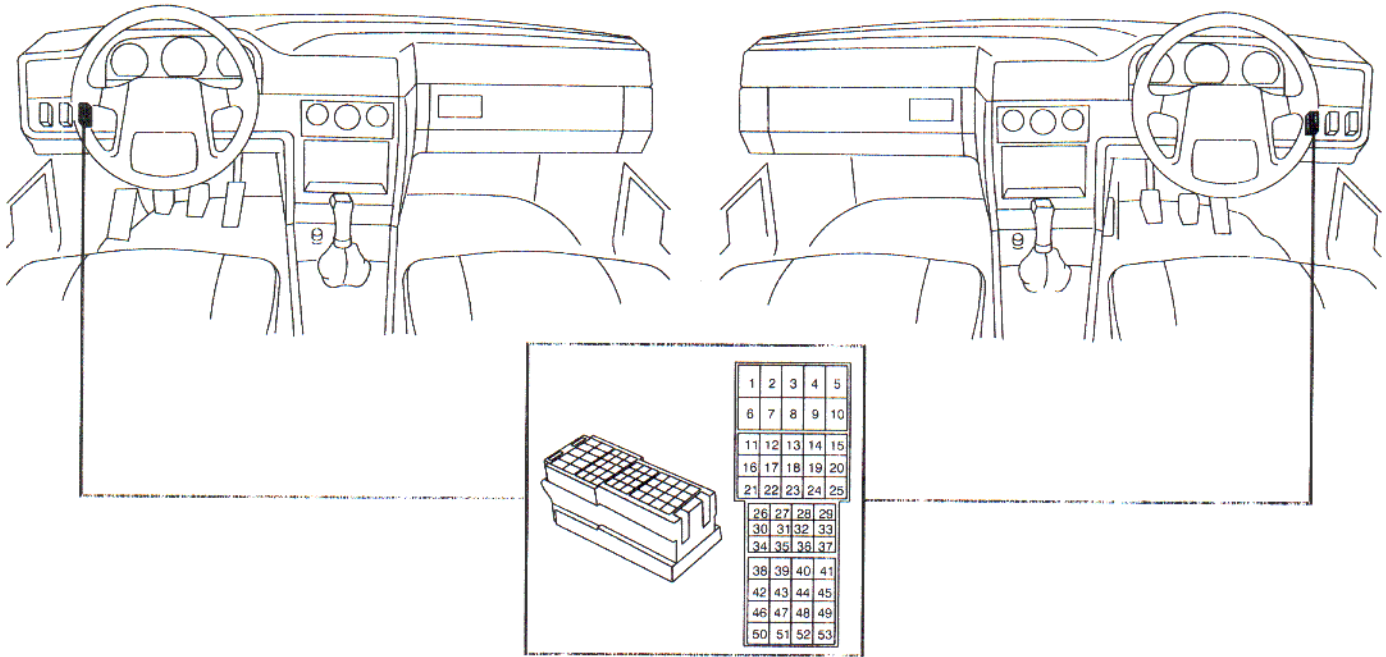
Connector 24/12 (4-pole), Firewall harness - Heater fan / A/C harness

Pos	To/From	Colour
1	Branching point 23/305, A/C unit supply Heater fan switch REC and A/C switch Recirculation servomotor ECC control module A/C relay	(X+) (Y-VO)
2	A/C lights, variable supply ECC control module lights, variable supply	(+) (P)
3	-	
4	-	

*) Only RHD cars

Connector 24/13 (53-pole)

Engine compartment harness- Instrument panel harness at left A-post



Pos	To/From		Colour
1	Branching point 23/301, ground Light switch Rheostat for control lighting Switch, rear fog lights Combined instrument Headlight flasher relay Switch, power sunroof Ashtray lighting, front Switch, heated rear window and door mirrors Radio Glove box lighting LED alarm warning Remote-controlled central locking/alarm TRACS switch SRS, passenger side Connector, 8-pole, accessories; pos. 8 or A:8	(-)	(SB)
2	Headlight fasher relay, supply TRACS switch, supply	(15I+)	(BL-GR) (BL-Y)
3	Headlight fasher relay, supply Headlight fasher relay, supply	(30+) (30+)	(R) (R)
4	Connector, 8-pole, accessories; pos. 1 or A:1 Connector, 1-pole, accessories	(30+)	(R)
5	Light switch, supply	(15I+)	(BL-Y)
6	Connector, 8-pole, accessories; pos. A:7		(GN-OR)
7	Combined instrument, oil level warning light	(+)	(BN-P)
8	TRACS switch	(-)	(GN)
9	Light switch, signal automatic low beam Connector, 8-pole, accessories; pos. 4		(GN-R)
10	Radio (+BATT), supply	(30+)	(R-SB)
11	Switch, heated rear window and door mirrors	(-)	(BL-SB)
12	Switch, heated rear window and door mirrors	(+)	(Y-R)
13	Main light switch Rear fog light switch, supply	(+)	(Y)
14	Light switch, Parking lights Rheostat Connector, 8-pole, accessories; pos. 5 or A:5	(+)	(W)
15	Light switch, supply Combined instrument, supply	(30+)	(R-SB)

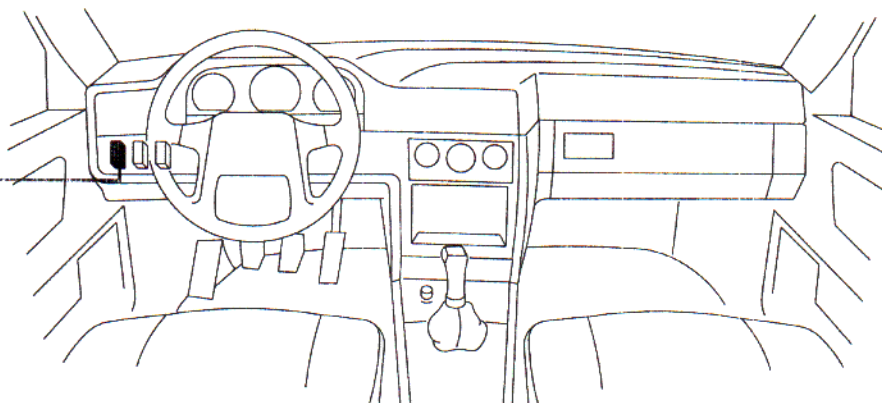
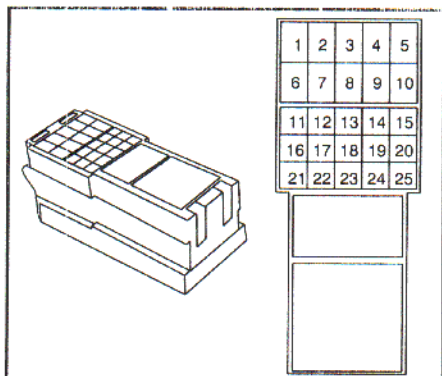
Connector 24/13 (53-pole) Engine compartment harness - Instrument panel harness at left A-post

Pos	To/From		Colour
16	Rear fog light switch	(+)	(VO-W)
17	Combined instrument, indicator lamp, rear fog lights	(+)	(VO-W)
18	Rheostat, supply Connector, 8-pole, accessories; pos. 2 or A:2 Switch, power sunroof, supply	(X+)	(BN-OR) (BN-OR) (BL-Y)
19	Radio, supply (+A/C) Remote-controlled central locking/alarm, supply	(X+)	(Y-VO)
20	Combined instrument, ground point	(-)	(BN)
21	Branching point 23/302, supply Entry lighting, driver's side Entry lighting, passenger's side Glove box lighting Remote control module, central locking/alarm	(30+)	(R)
22	Combined instrument, supply	(15+)	(BL-R)
23	Headlight flasher relay , flash signal to switch	(intermittent +)	(GN-R)
24	Headlight flasher relay , hazard lights, left lamp Combined instrument indicator lamp, left turn signal	(intermittent +)	(GN)
25	Headlight flasher relay, hazard lights, right lamp Combined instrument indicator lamp, right turn signal	(intermittent +)	(BL-GN)
26	Combined instrument indicator lamp, high beam Connector 8-pole, accessories, pos. 3 or A:3	(+)	(BL-W)
27	Combined instrument indicator lamp, bulb failure warning sensors	(-)	(GN-W)
28	Combined instrument indicator lamp, malfunction indicator lamp (MIL)	(-)	(BN-W)
29	Combined instrument indicator lamp, charging SRS via 24/1:12	(D+)	(R-W)
30	Combined instrument indicator lamp, oil pressure	(-)	(BN-SB)
31	Combined instrument, tachometer	(impulse frequency)	(W-SB)
32	Combined instrument, engine temperature gauge	(variable signal)	(GN-GR)
33	Combined instrument, speedometer	(impulse frequency)	(Y-BN)
34	Combined instrument, speedometer	(-)	(GN-Y)
35	Combined instrument indicator lamp, washer fluid level	(-)	(BL-P)
36	Combined instrument indicator lamp, coolant level	(-)	(BN-GR)
37	Combined instrument indicator lamp, brake fluid level	(-)	(GR)
38	Combined instrument, speed indic. 12 pulses/rotation (Control module, cruise control)	(impulse frequency)	(Y-SB)
39	Combined instrument, speed indic. 48 pulses/rotation (Control module, automatic transmission)	(impulse frequency)	(GR-W)
40	Combined instrument, instrument diagnostic socket (OBD)		(Y-GR)
41	Combined instrument, ambient temperature sensor	(variable signal)	(GR-SB)
42	Combined instrument, ambient temperature sensor	(-)	(GN-SB)
43	Combined instrument, fuel consumption signal to trip computer		(GR-R)
44	Combined instrument indicator lamp, ABS brake warning	(-)	(VO)
45	Combined instrument indicator lamp, TRACS	(-)	(Y-W)
46	Combined instrument indicator lamp, shift indicator, winter mode and low-gear (auto. transmission)	(-)	(GR-OR)
47	Connector, 8-pole, accessories, pos. 7 or A:4		(GN-OR) (GN-R)
48	Remote control module, central locking/alarm		(GN-Y)
49	Alarm warning LED, supply	(+)	(P-W)
50	Beam length control, ground point	(-)	(OR-SB)
51	Beam length control, control signal	(variable signal)	(BL)
52	Beam length control, supply	(X+)	(OR-W)
53	Combined instrument, exhaust temp. lamp	(-)	(P)

Connector 24/14 (pos 1-25 in 53-pole) Engine compartment harness - Door sill harness, left, at left A-post

LHD cars only

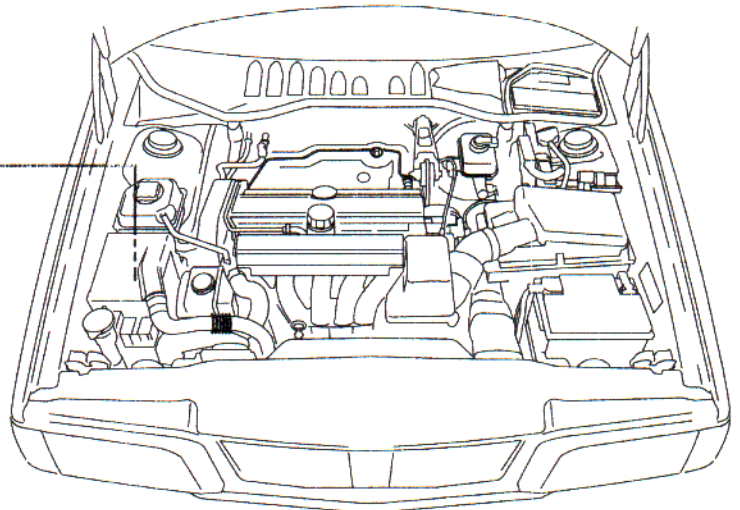
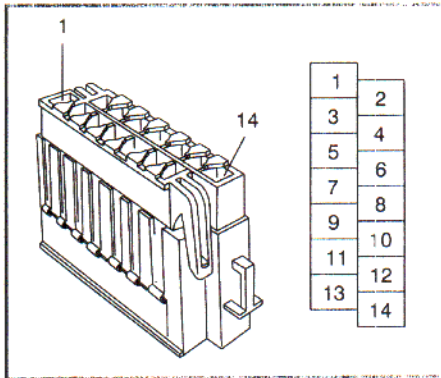
In RHD cars, connector 24/14 corresponds to 24/3, pos. 1-25 owing to different wiring routing. See page 27.



Pos	To/From		Via ***)	Colour
1	Power seat, left, supply	(30+)		(GN-R)
2	-			
3	-			
4	-			
5	Heated rear window	(+)	24/25:1	(Y-R)
6	Power antenna	(30+)		(GR-R)
7	-			
8	-			
9	-			
10	-			
11	Bulb failure warning sensor, rear Parking lights 1 left and right Number plate lighting	(+)	24/25:11	(W)
12	Bulb failure warning sensor, rear Supply, warning function Parking left 2 left and right	(+)		(GR)
13	Bulb failure warning sensor, rear Brake lights, left/right and high-level brake light	(+)		(Y)
14	Bulb failure warning sensor, rear	(-)		(GN-W)
15	Bulb failure warning sensor, rear, supply	(15+)		(BL-Y)
16	Backup (reversing) lights, left and right	(+)		(BL)
17	Right rear fog light via left rear fog light	(+)		(VO-W)
18	Turn signal, left rear	(+)		(GN)
19	Turn signal, right rear	(+)		(BL-GN)
20	Lock, trunk lid, unlocking signal	(-)	24/25:6	(GN-BN)
21	Tailgate wiper motor, supply	(X+)	24/25:9	(Y-VO)
22	Tailgate wiper motor, control signal	(+)	24/25:8	(GN-OR)
23	Trunk lighting Lock, trunk lid, microswitch	(-)	24/25:13	(BL-BN)
24	-			
25	-			

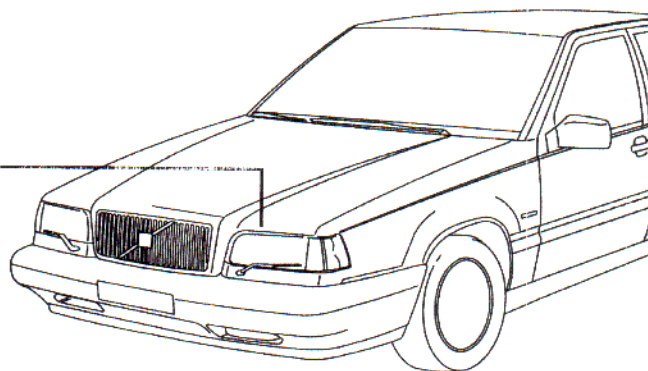
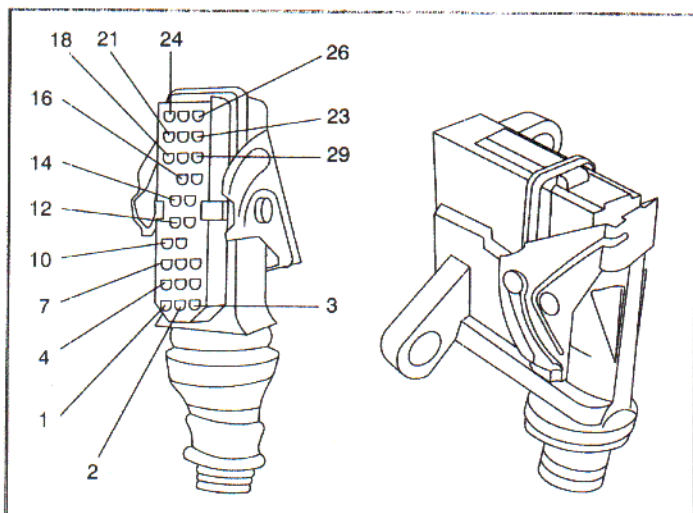
***) Only 5-door cars

Connector 24/15 (14-pole) Engine compartment harness - Engine harness



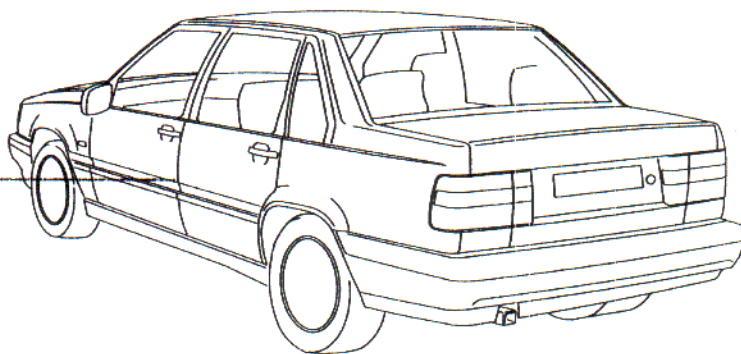
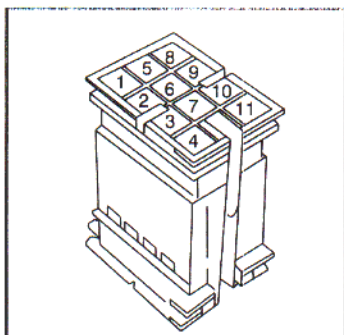
Pos	To/From		Colour
1	Control module (EZ 129 K) (DI) , pos. A:30, supply Control module (LH 3.2) (MFI), pos. A:30 Control module, automatic transmission, pos. A:30 Control module (Fenix 5.2) (MFI), pos. A:12, supply Main relay, fuel system (man. transmission) Control module, automatic transmission, pos. A:30 Control module, Motronic 4.3 SFI pos. A:12, supply Control module, automatic transmission, pos. A:30	(15+)	(BL-R)
2	Backup (reversing) light switch, supply (man. transmission) Transmission range sensor, pos. 9, supply (Automatic transmission)	(15+)	(BL-GR)
3	Generator D+	(D+)	(R-W)
4	Oil pressure sensor	(-)	(BN-SB)
5	Speedometer	(variable pulse frequency)	(Y-BN)
6	Speedometer	(-)	(GN-Y)
7	Backup (reversing) light switch (man. transmission) Transmission range sensor, pos. 5 (Automatic transmission)	(+)	(BL)
8	Starter motor, pos. 50 (man. transmission) Transmission range sensor, pos. 6 (Automatic transmission)	(+)	(GN-R)
9	Solenoid switch A/C Control module (LH 3.2) (MFI), pos. A:25	(+)	(GR)
10	OBD II DLC, ground connection	(-)	(BN)
11	-		
12	Oil level sensor	(-)	(BN-W)
13	-		
14	Turbo control valve	(+)	(BL-R (GN))

Connector 24/16 (26-pole) Engine compartment harness - Front harness



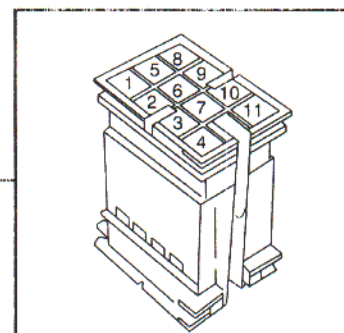
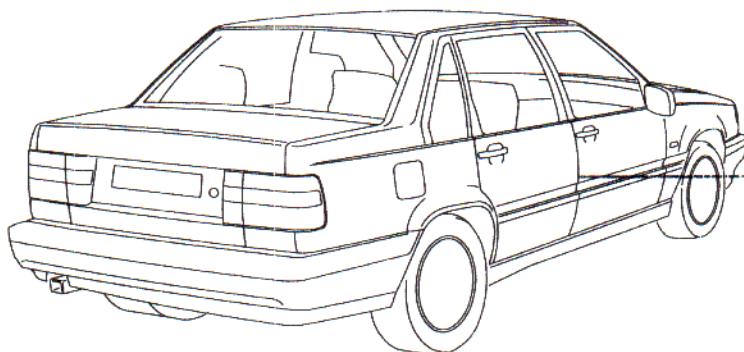
Pos	To/From		Colour
1	Low beam, left	(+)	(GN)
2	Parking light, left	(+)	(W)
3	High beam, right	(+)	(BL-W)
4	High beam, left	(+)	(BL)
5	Parking light, right	(+)	(GR)
6	Low beam, right	(+)	(GN-W)
7	Beam width actuators	(X+)	(OR-W)
8	Turn signal, left	(+)	(GN)
9	-		
10	Branching point 23/105, supply Horn Headlight wiper motors	(X+)	(Y-VO)
11	Turn signal, right	(+)	(BL-GN)
12	-		
13	Branching point 23/107 Headlight wiper motors	(+)	(Y-W)
14	-		
15	Beam width actuators	(variable signal)	(BL)
16	-		
17	Horn 1 Branching point 23/104, horn 1 and 2	(-)	(Y-SB)
18	Branching point, 23/100, ground connection right Parking lights Turn signal Headlight wiper motor	(-)	(SB)
19	-		
20	Branching point, 23/101, ground connection left Parking lights Turn signal Headlight wipers	(-)	(SB)
21	-		
22	-		
23	-		
24	Main lights, left, ground connection	(-)	(SB)
25	Beam width actuator, ground connection	(-)	(OR-SB)
26	Main lights, right, ground connection		(SB)

Connector 24/17 (11-pole) Door sill harness, left - Left rear door harness



Pos	To/From		Colour
1	Door loudspeaker	(+)	(BN-W)
2	Door loudspeaker	(-)	(BN-SB)
3	Cut-off, power window motors, rear	(+)	(GR-R)
4	Lock, supply, open-door warning lamp	(30+)	(R)
5	Lock, ground connection	(-)	(SB)
6	Lock unit, deadlock position		(VO)
7	Power window switch, (from driver)	(+/-)	(GN-GR)
8	Lock, lock motor M+	(+/-)	(Y-BN)
9	Lock, lock motor M-	(-/+)	(Y)
10	Power window switch, (from driver)	(-/+)	(R-SB)
11	Lock, open-door warning	(-)	(Y-W)

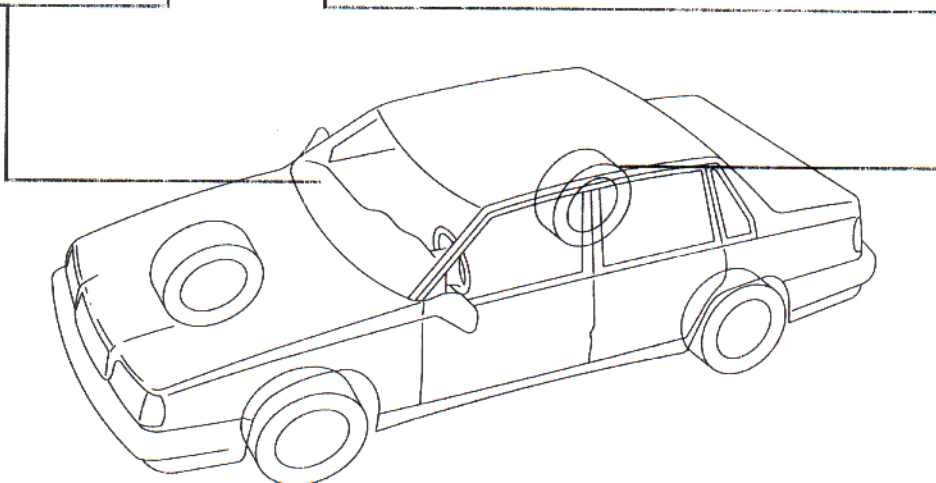
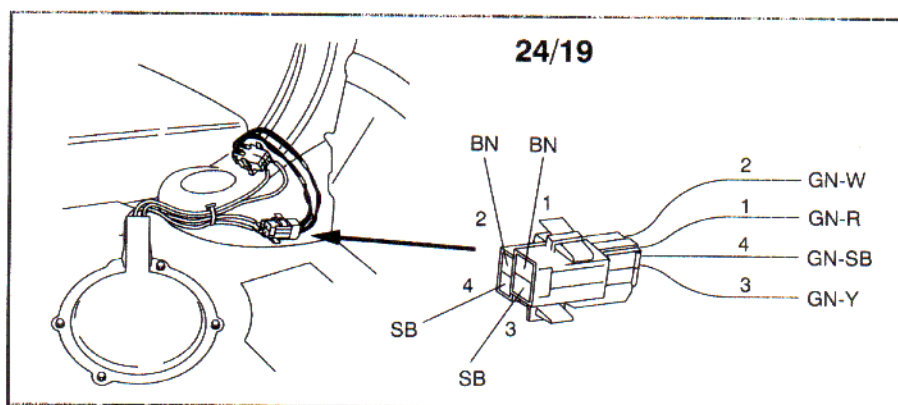
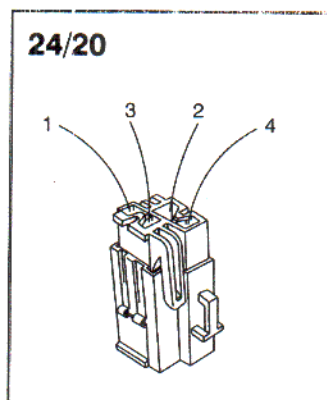
Connector 24/18 (11-pole) Door sill harness, right - Right rear door harness



Pos	To/From		Colour
1	Door loudspeaker	(+)	(BN-W)
2	Door loudspeaker	(-)	(BN-SB)
3	Cut-off, power window motors, rear	(+)	(GR-R)
4	Lock, supply, open-door warning lamp	(30+)	(R)
5	Lock, ground connection	(-)	(SB)
6	Lock unit, deadlock position		(VO)
7	Power window switch, (from driver)	(+/-)	(GN-GR)
8	Lock, lock motor M+	(+/-)	(Y-BN)
9	Lock, lock motor M-	(-/+)	(Y)
10	Power window switch, (from driver)	(-/+)	(R-SB)
11	Lock, open-door warning	(-)	(Y-W)

Connector 24/19 (4-pole) Door sill harness, right - Rear wheel sensor harness

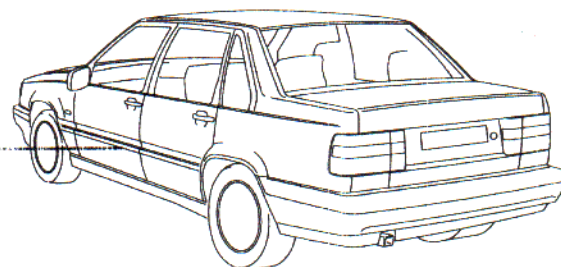
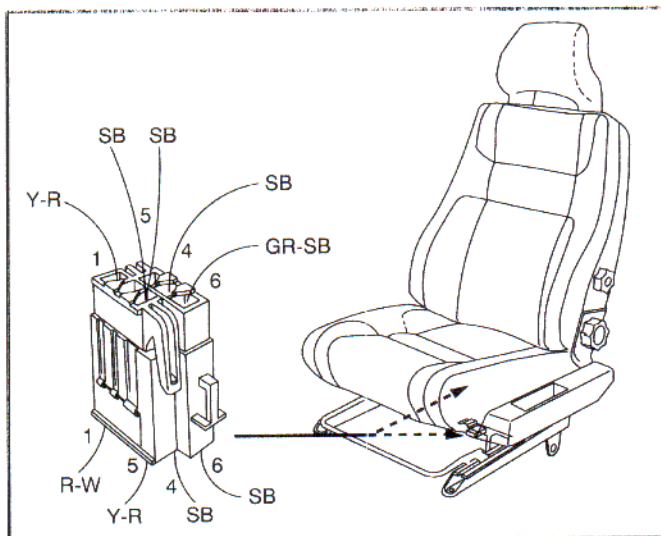
Pos	To/From	Colour
1	ABS sensor, rear wheel, left (variable signal)	(GN-R) (BN)
2	ABS sensor, rear wheel, right (variable signal)	(GN-W) (BN)
3	ABS sensor, rear wheel, left (-)	(GN-Y) (SB)
4	ABS sensor, rear wheel, right (-)	(GN-SB) (SB)



Connector 24/20 (4-pole) Firewall harness - Power sunroof harness

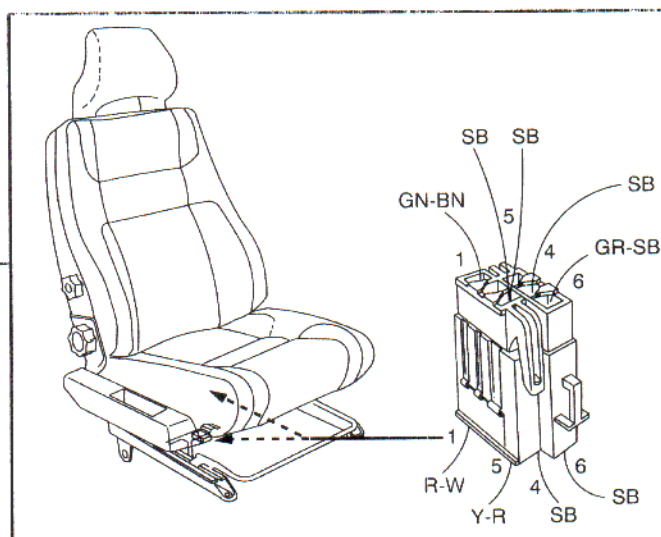
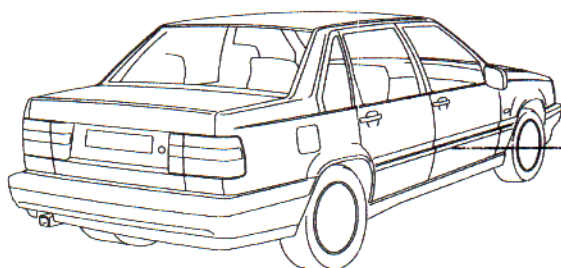
Pos	To/From	Colour
1	Control module, power sunroof, supply (X+)	(BL)
2	Control module, power sunroof, signal forward (+)	(GN)
3	Control module, power sunroof, signal rearward (-)	(W)
4	Control module, power sunroof, ground connection (-)	(SB)

Connector 24/21 (6-pole) Door sill harness, left - Left seat harness



Pos	To/From		Colour
1	Heated seat, heating coil	(+)	(Y-R) (R-W)
2	-		
3	-		
4	Seat belt lock, ground connection **)	(-)	(SB)
5	Heated seat, ground connection	(-)	(SB) (Y-R)
6	Seat belt lock **)	(-)	(GR-SB) (SB)

Connector 24/22 (6-pole) Door sill harness, right - Right seat harness

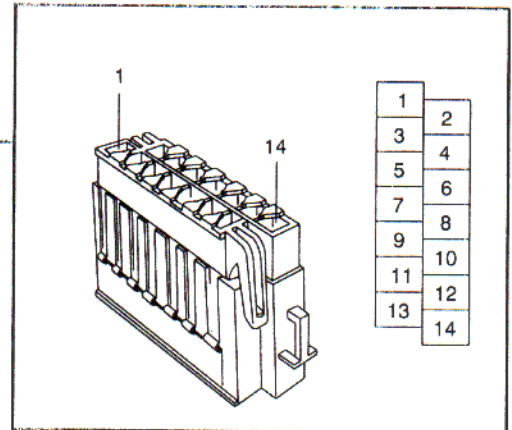
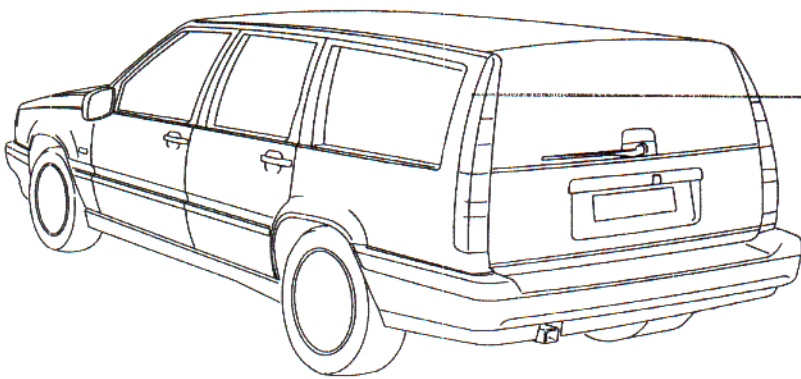


Pos	To/From		Colour
1	Heated seat, heating coil	(+)	(GN-BN) (R-W)
2	-		
3	-		
4	Seat belt lock, ground connection *)	(-)	(SB)
5	Heated seat, ground connection	(-)	(SB) (Y-R)
6	Seat belt lock *)	(-)	(GR-SB) (SB)

*) Only RHD cars

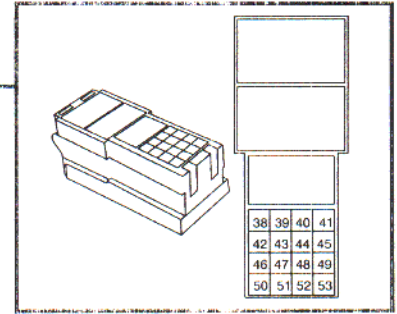
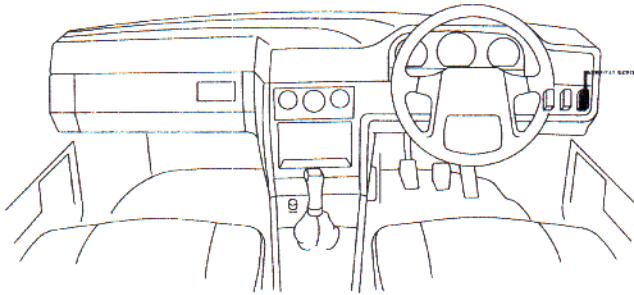
***) Only LHD cars

24/25 Connector, 14-pin Left door sill harness - tailgate harness



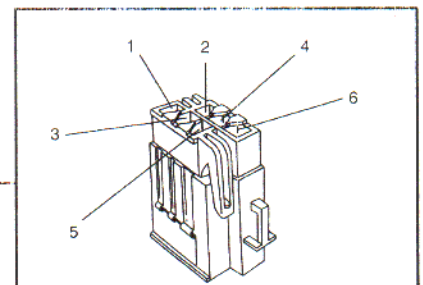
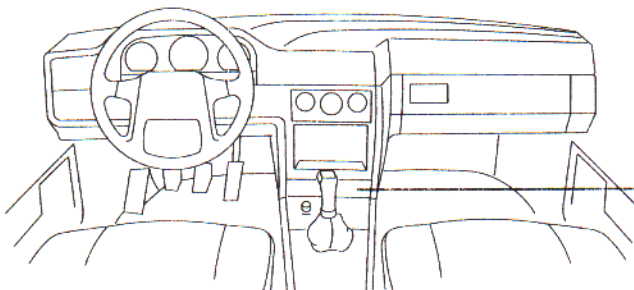
Pos.	To / From		Colour
1	Heated rear window	(+)	(Y-R)
2	-		
3	Lock, trunk/tailgate, unlocking M+	(+/-)	(Y-BN)
4	Lock, trunk/tailgate, locking M-	(-/+)	(Y)
5	Lock, trunk/tailgate, locking signal	(-)	(Y-GR)
6	Lock, trunk/tailgate, unlocking signal	(-)	(GN-BN)
7	Rear window wiper motor, ground connection	(-)	(OR-SB)
8	Rear window wiper motor, control signal	(+)	(GN-OR)
9	Rear window wiper motor, supply	(X+)	(Y-VO)
10	Branching point 23/601, ground connection Number plate light Extra brake light Lock, trunk/tailgate, microswitch		(SB)
11	Number plate light	(+)	(W)
12	Extra brake light	(+)	(GR-SB)
13	Lock, trunk/tailgate, microswitch	(-)	(BL-BN)
14	Heated rear window, ground connection	(-)	(SB)

Connector 24/34 (pos. 38-53 in 53-pole) Firewall harness - Engine compartment harness at right A-post



Pos	To/From		Via	Colour
38	Bulb failure warning sensor, rear Parking lights 1 left and right Number plate lighting	(+)	24/3:11	(W)
39	Bulb failure warning sensor, rear Parking lights 2 left and right Warning function, bulb failure warning sensor, rear	(+)	24/3:12	(GR)
40	Bulb failure warning sensor, rear Brake lights, left/right and high-level brake light	(+)	24/3:13	(Y)
41	Bulb failure warning sensor, rear Warning function, bulb failure warning sensor, rear	(-)	24/3:14	(GN-W)
42	Bulb failure warning sensor, rear, supply	(15I+)	24/3:15	(BL-Y)
43	Backup (reversing) lights, left and right	(+)	24/3:16	(BL)
44	Rear fog light, right	(+)	24/3:17	(VO-W)
45	Turn signal, left rear	(+)	24/3:18	(GN)
46	Turn signal, right rear	(+)	24/3:19	(BL-GN)
47	Lock, trunk/tailgate, unlocking signal	(-)	24/3:20	(GN-BN)
48	Tailgate wash/wiper motor, supply	(X+)	24/3:21	(Y-VO) (BL-OR)
49	Tailgate wash/wiper motor, control signal	(+)	24/3:22	(GN-OR) (OR-SB)
50	Trunk/tailgate lighting Lock unit, trunk/tailgate, microswitch	(-)	24/3:23	(BL-BN)
51	-			
52	-			
53	-			

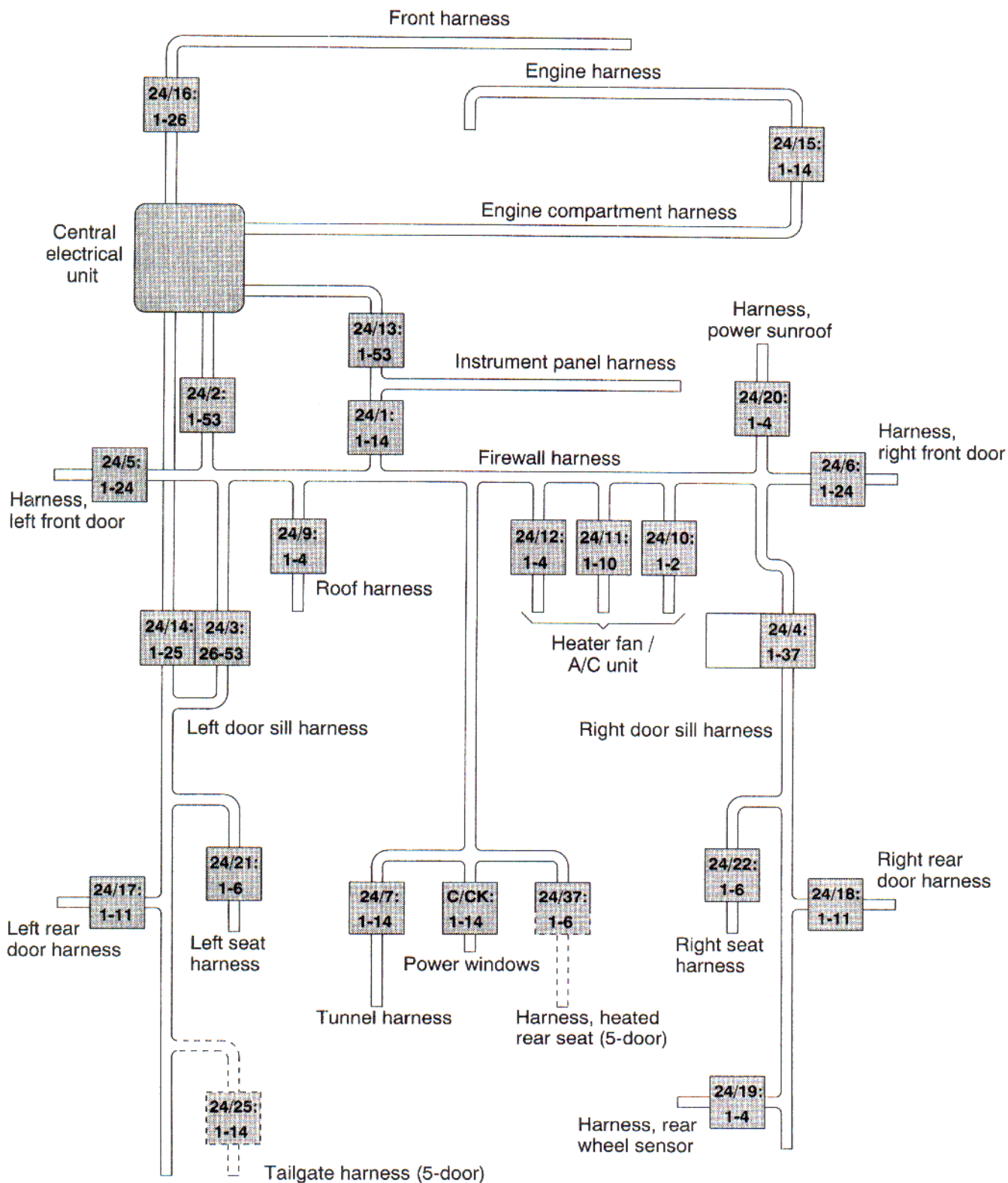
24/37 Connector, 6-pin Firewall harness - heated rear seat harness



Pos.	To / From		Colour
1	Switch, heated rear seat, right side, pos. 2 Switch, heated rear seat, left side, pos. 2	(+)	(P)
2	Switch, heated rear seat, left side, pos. 1	(-)	(R-W)
3	Switch, heated rear seat, right side, pos. 1	(-)	(BN-W)
4	Switch, heated rear seat, left side, pos. 6	(+)	(VO-W)
5	Switch, heated rear seat, right side, pos. 6	(+)	(BL-W)
6	Switch, heated rear seat, right side, pos. 5, ground connection Switch, heated rear seat, left side, pos. 5, ground connection	(-)	(SB)

Wiring harnesses and connectors

Overview, LHD cars

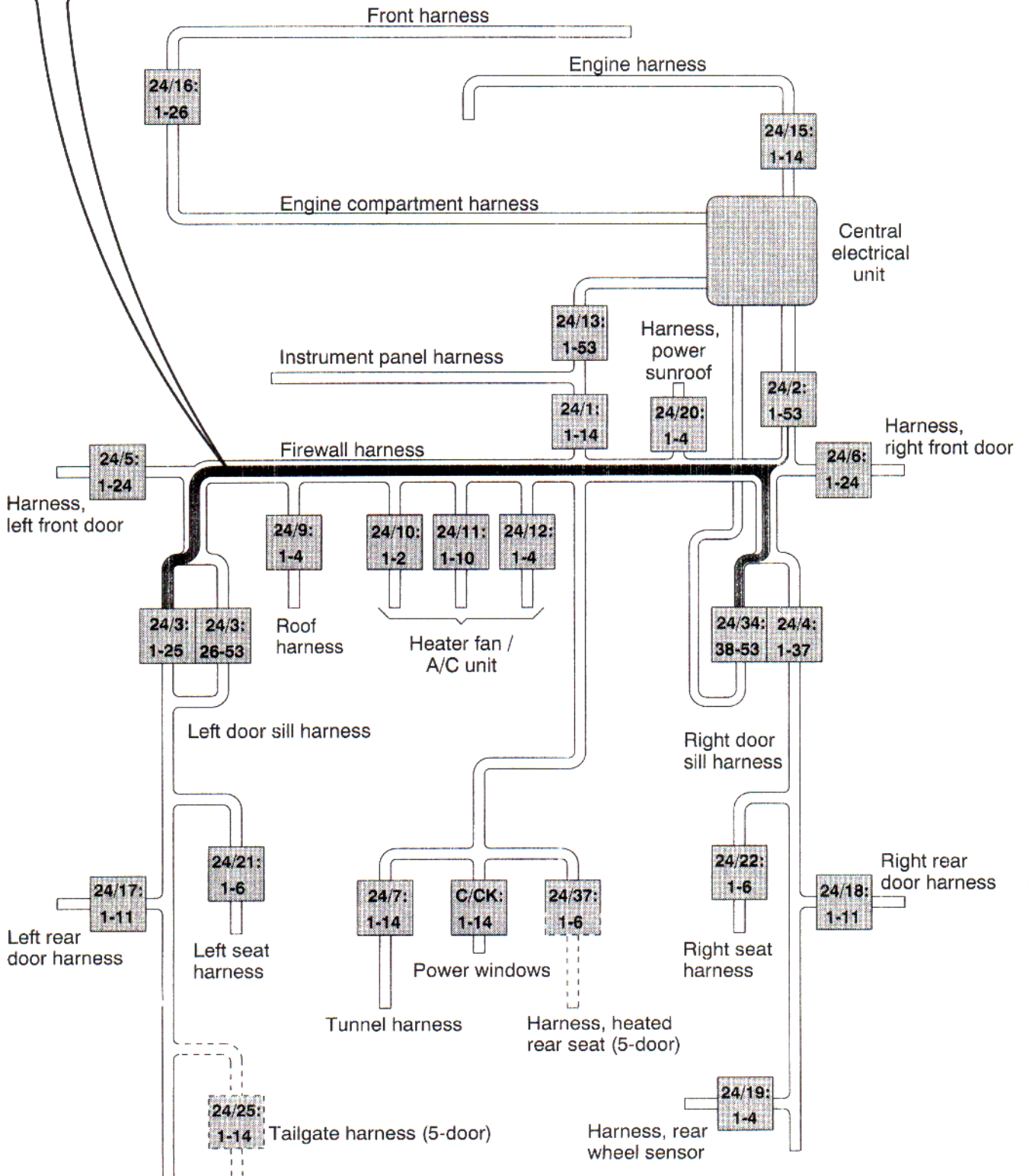
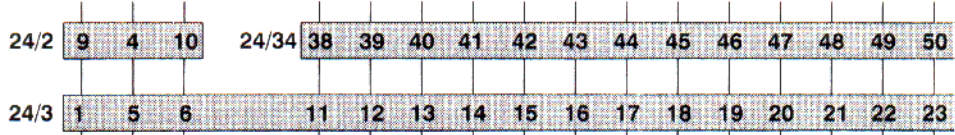


Wiring harnesses and connectors Overview, RHD cars

The direct connection between the engine compartment wiring harness and the door sill harness in LHD cars, corresponds to a connection via the firewall harness in RHD cars.

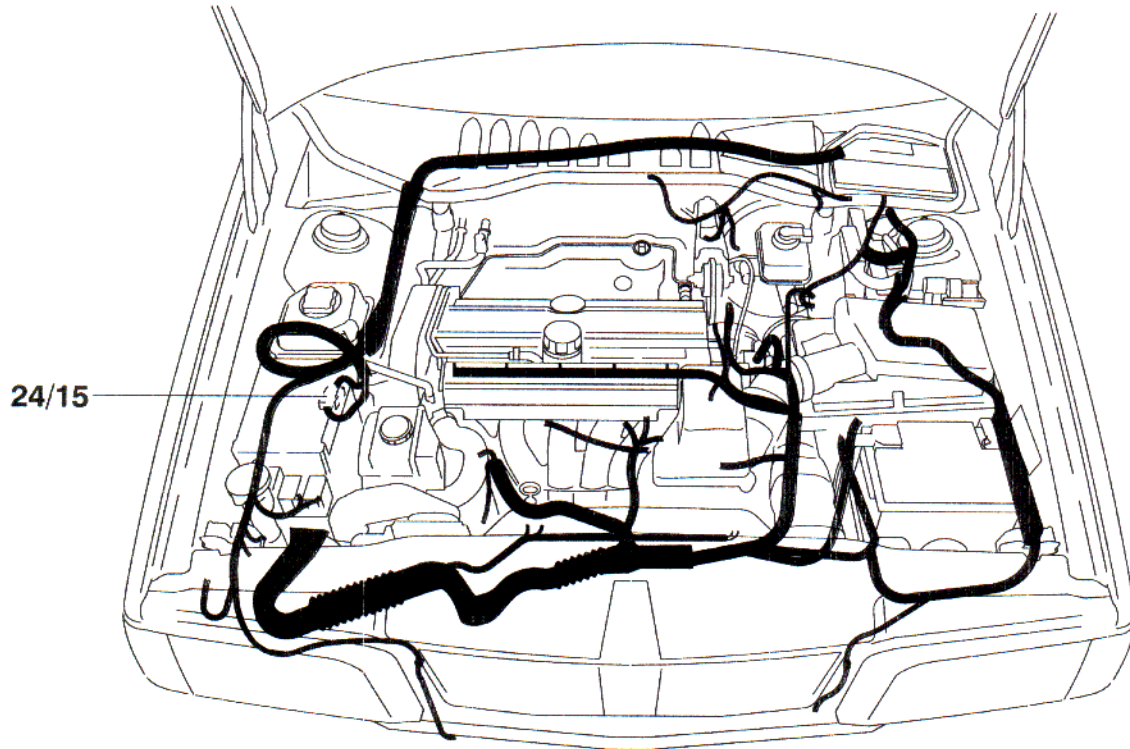
Connector 24/14 corresponds to connector 24/3, pos. 1-25.
Furthermore, connectors 24/34 and some of the positions in connector 24/2 are used.

The diagram shows which connectors and which positions are connected to each other.

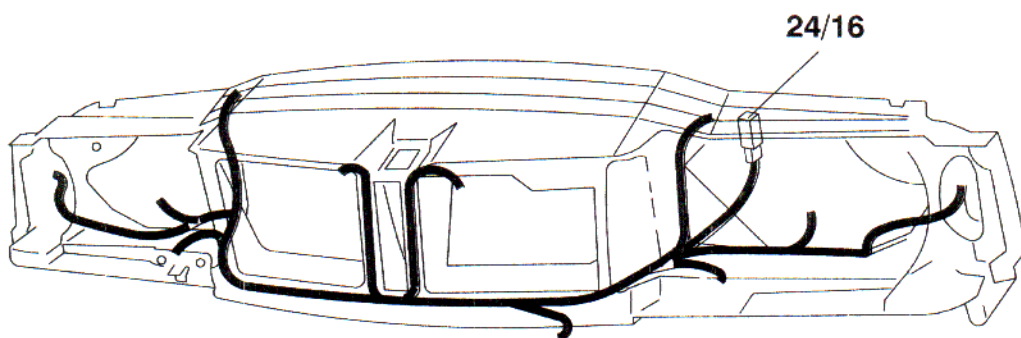


Harness placement in car

Engine compartment harness, engine harness

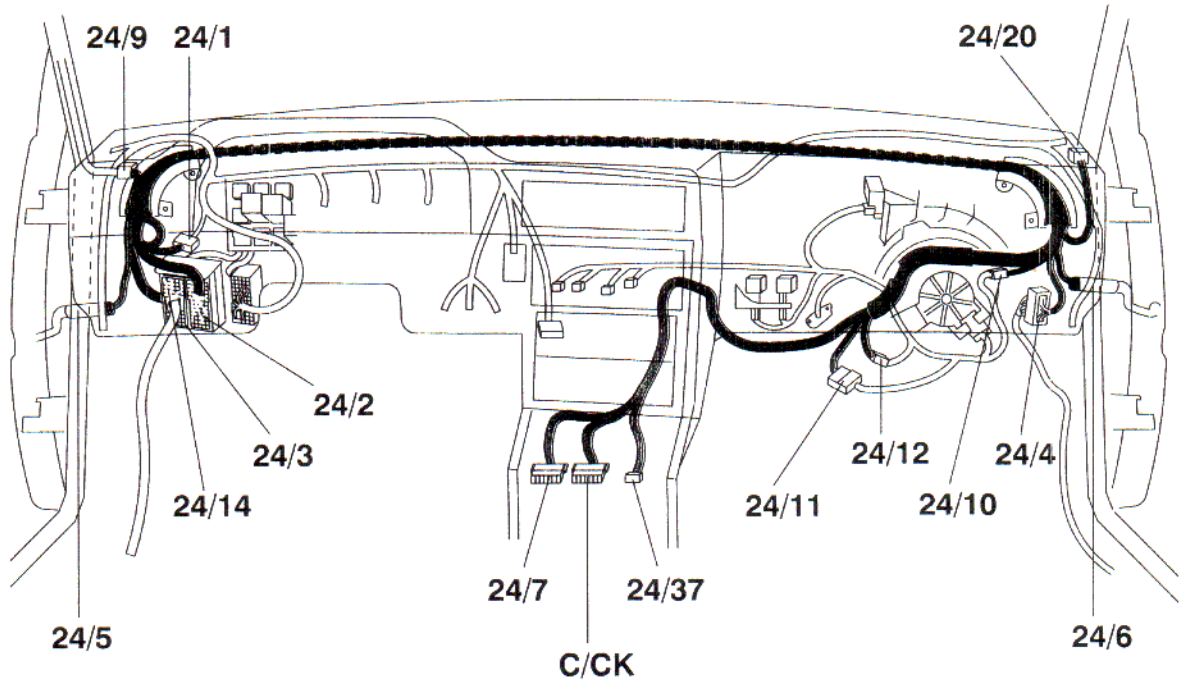


Front harness

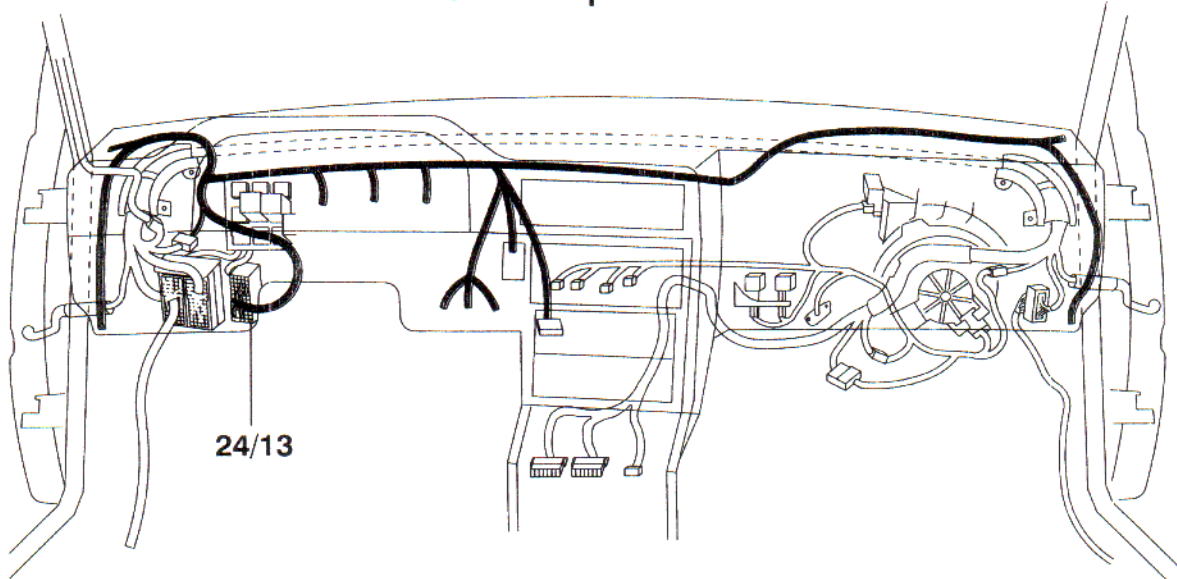


Harness placement in car

Firewall harness

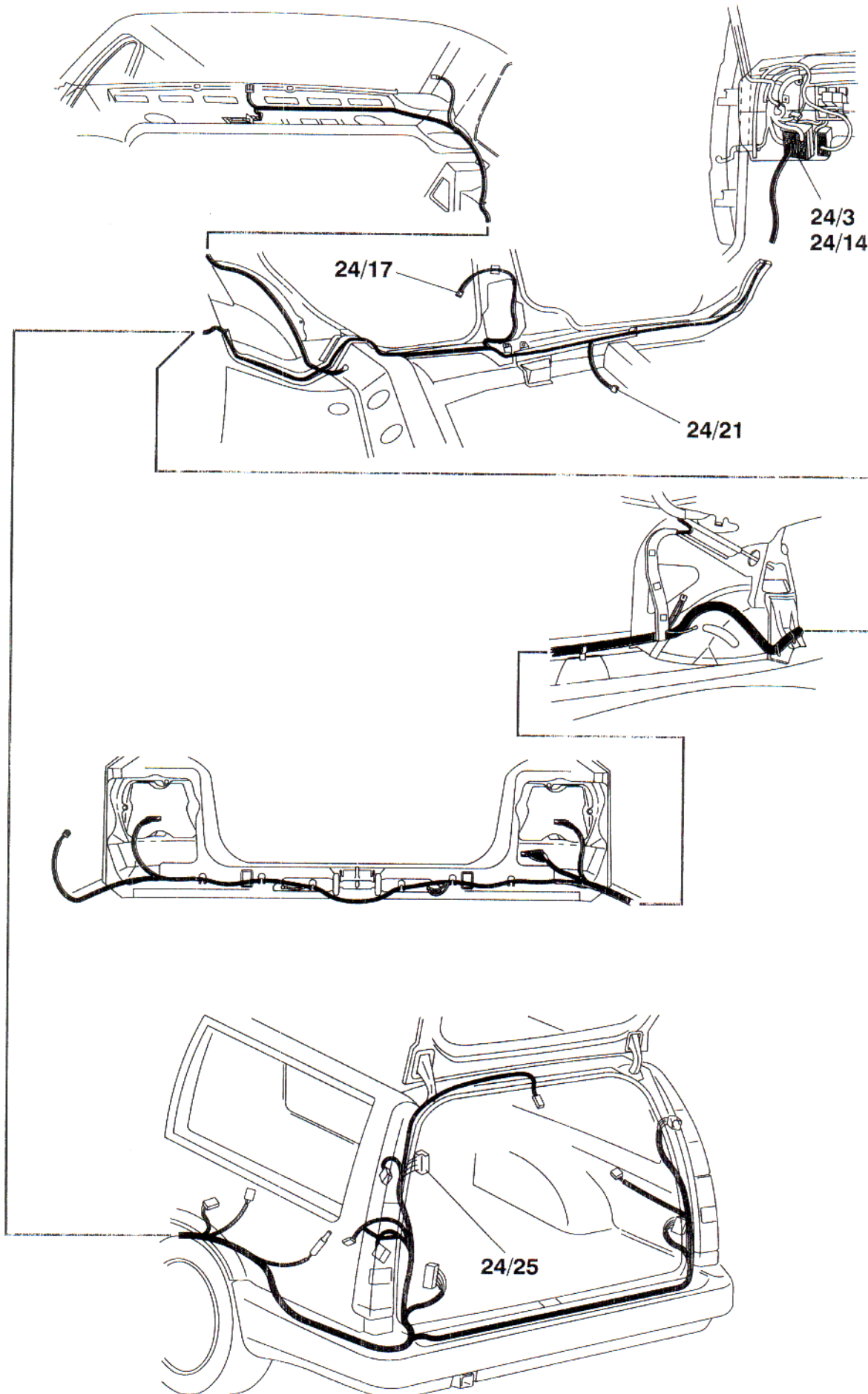


Instrument panel harness

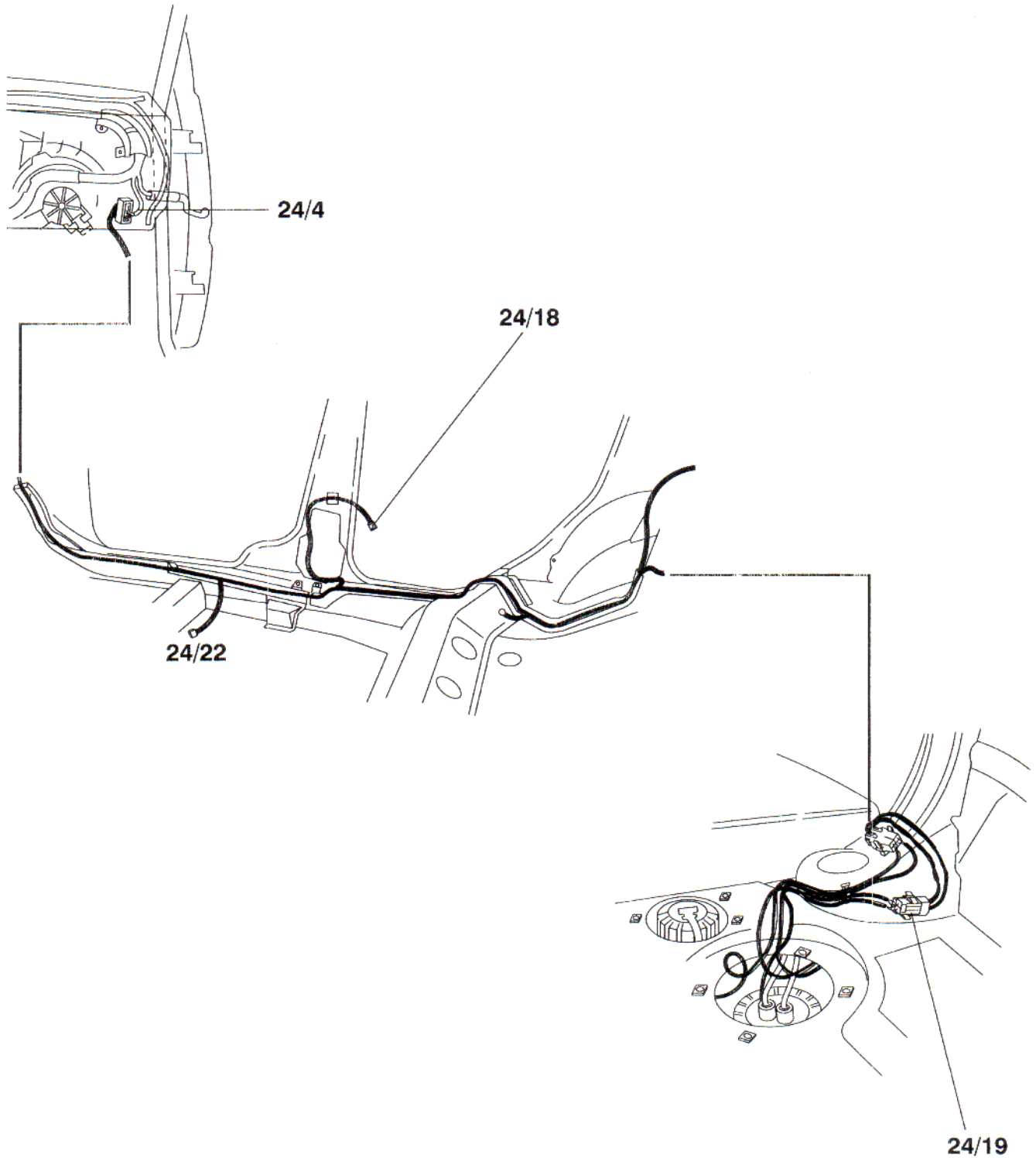


Harness placement in car

Door sill harness, left

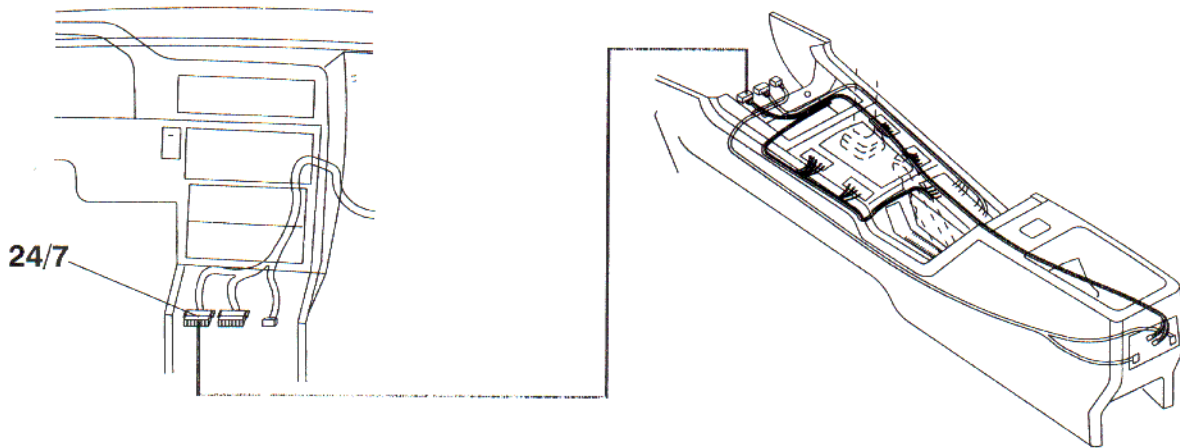


Door sill harness, right

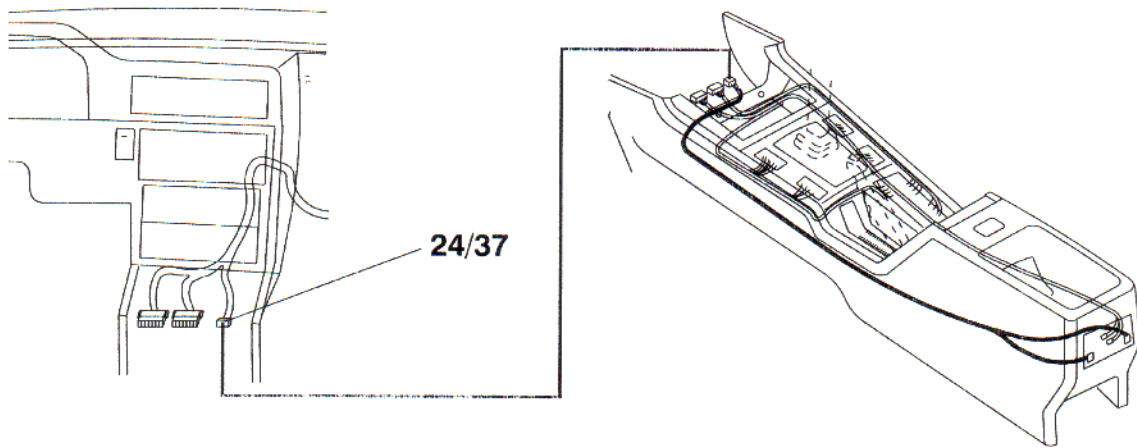


Harness placement in car

Tunnel harness

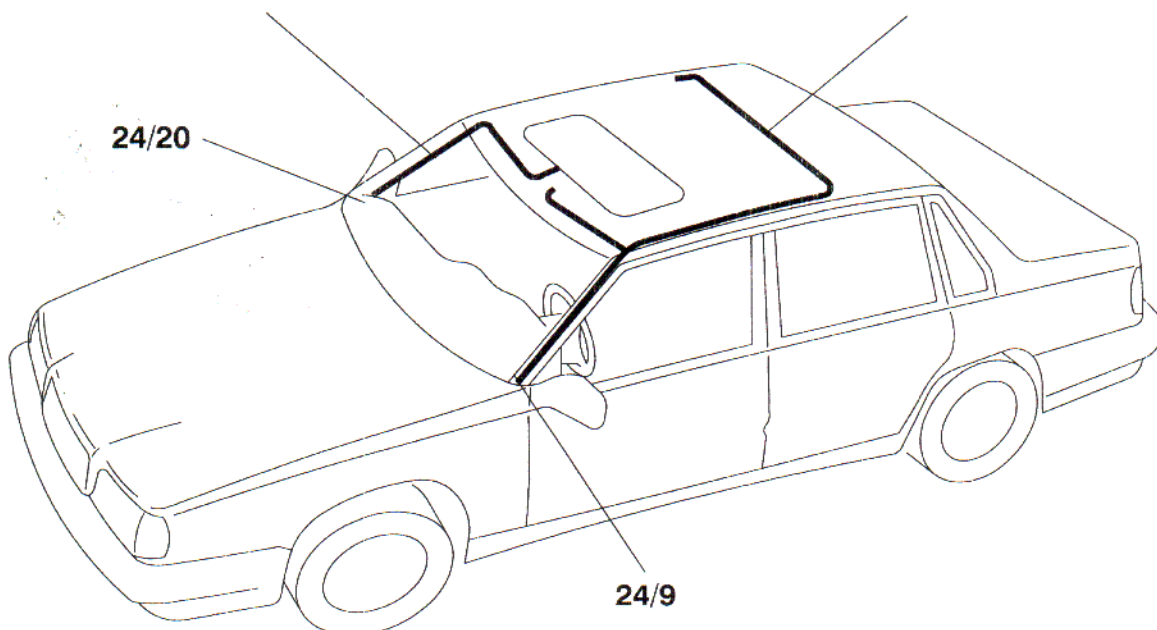


Heated rear seat harness

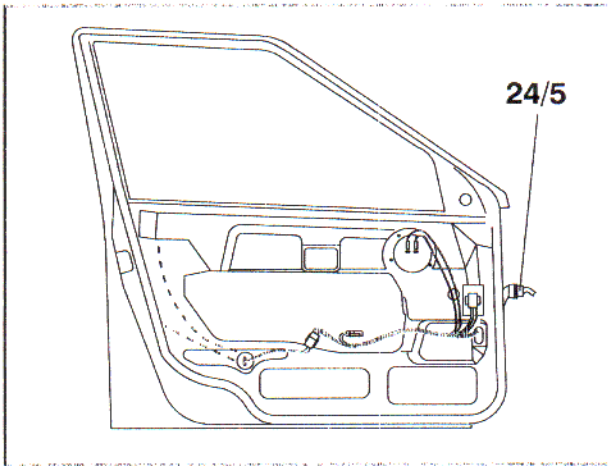


Power sunroof harness

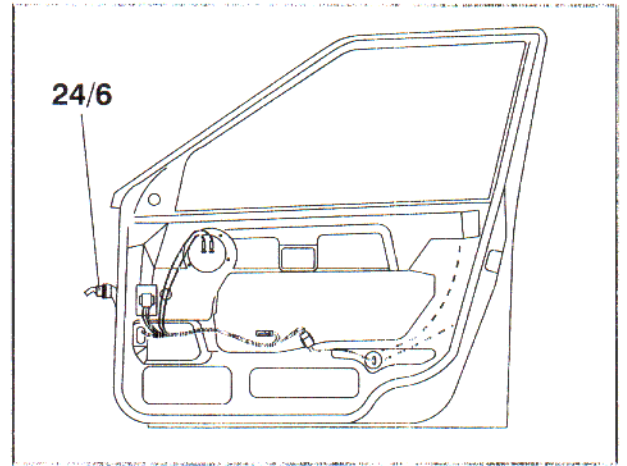
Roof harness



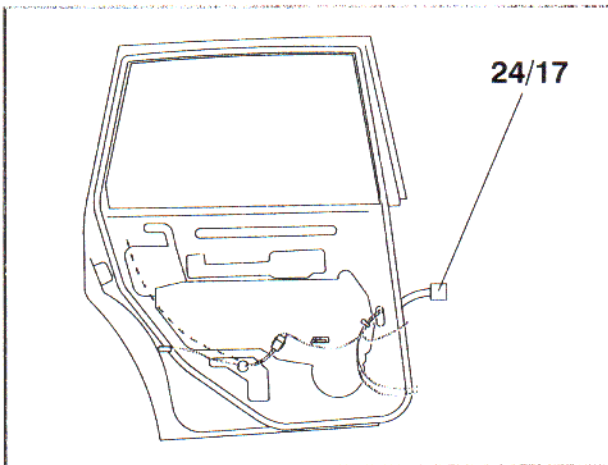
Harness placement in car



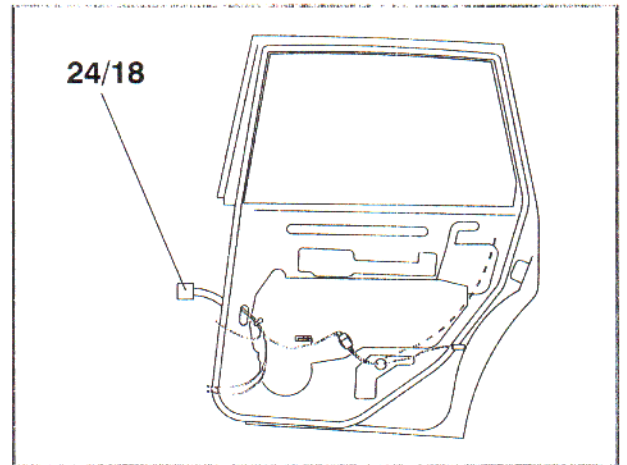
Left front door harness



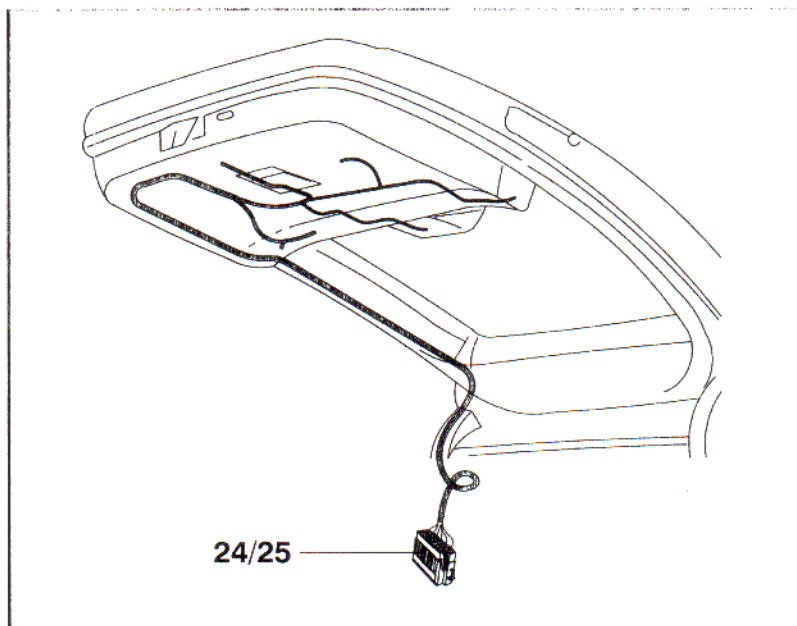
Right front door harness



Left rear door harness

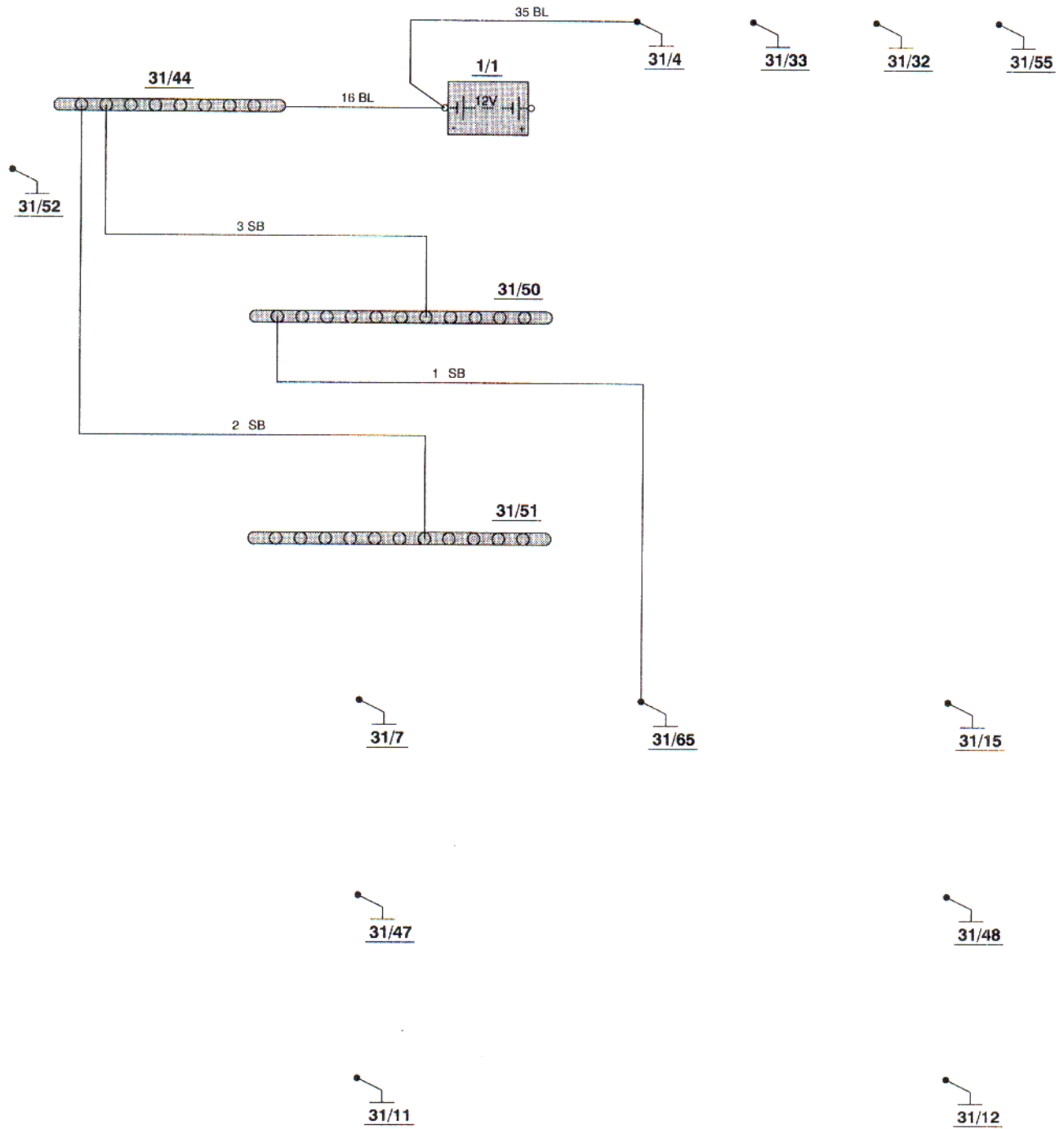


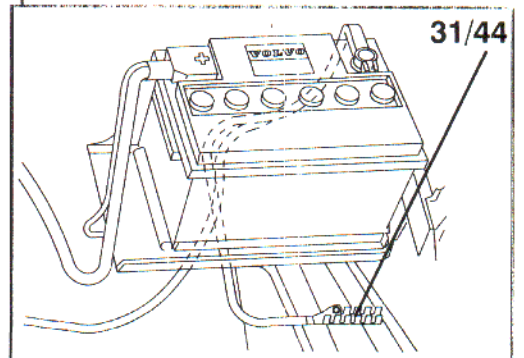
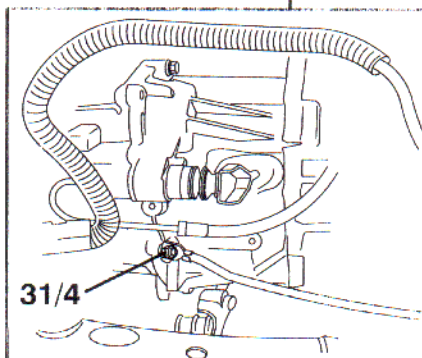
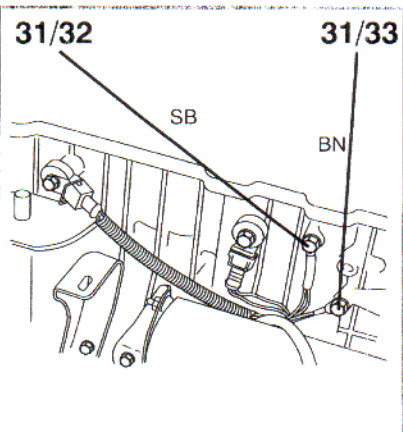
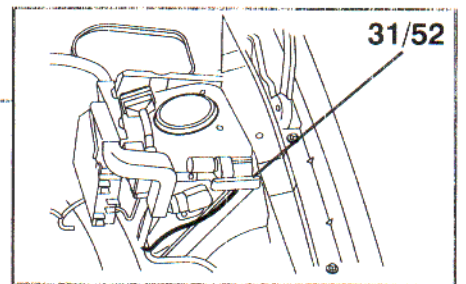
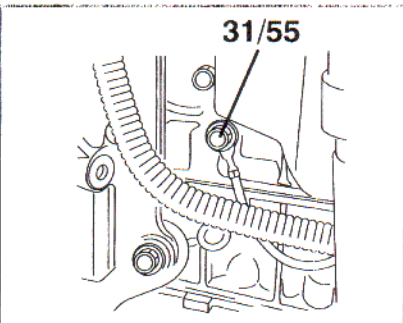
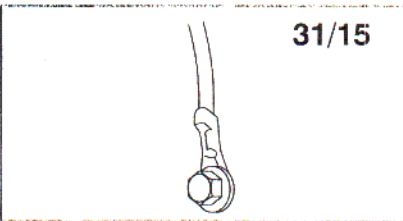
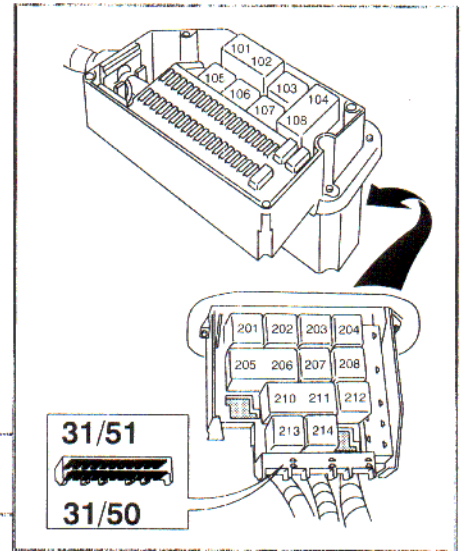
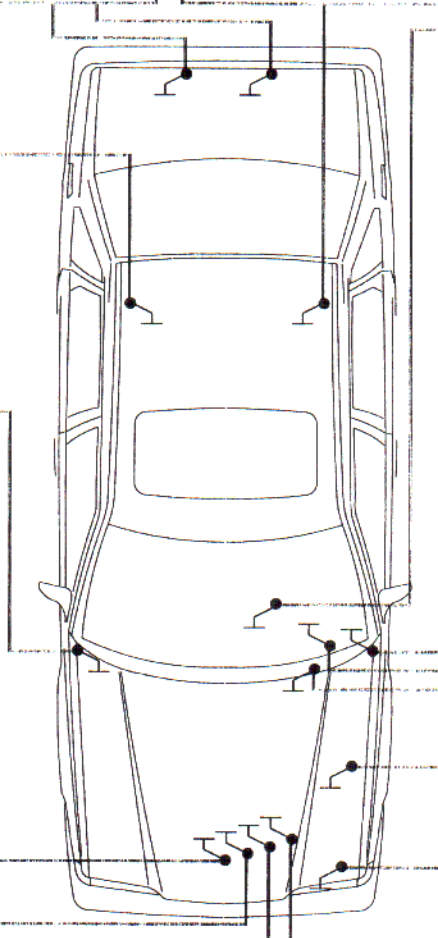
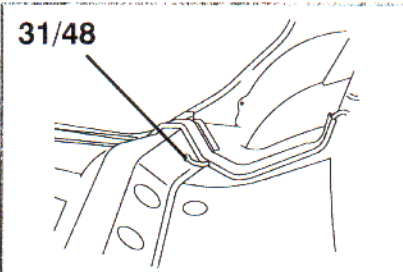
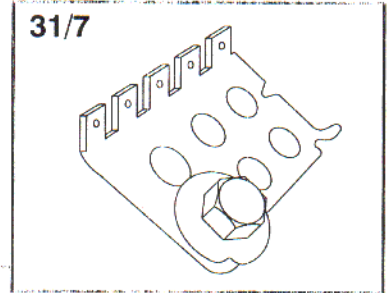
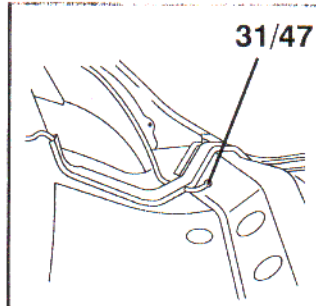
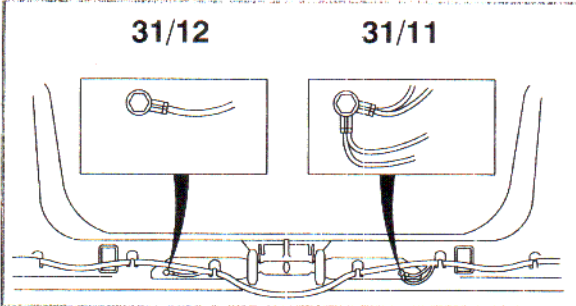
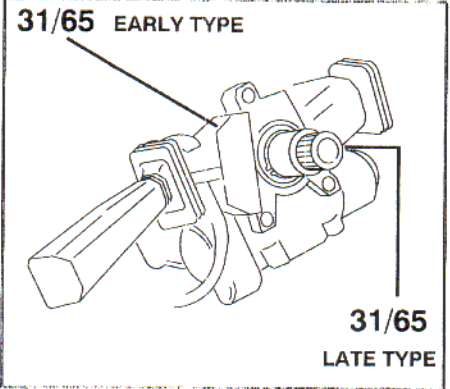
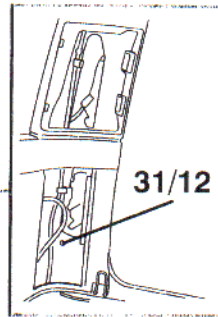
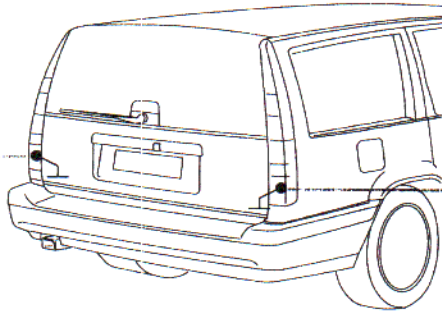
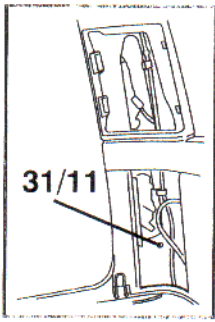
Right rear door harness



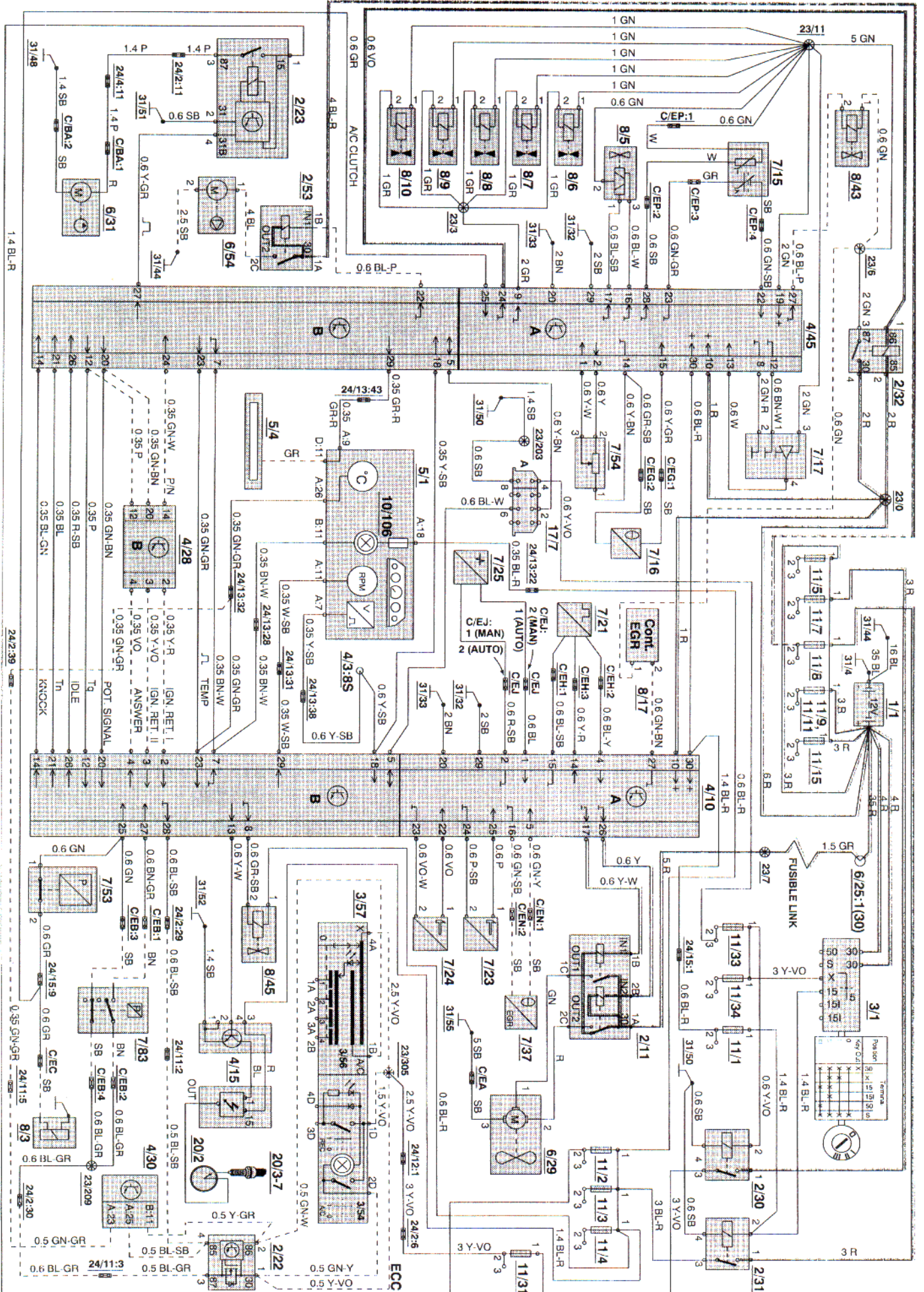
Tailgate harness

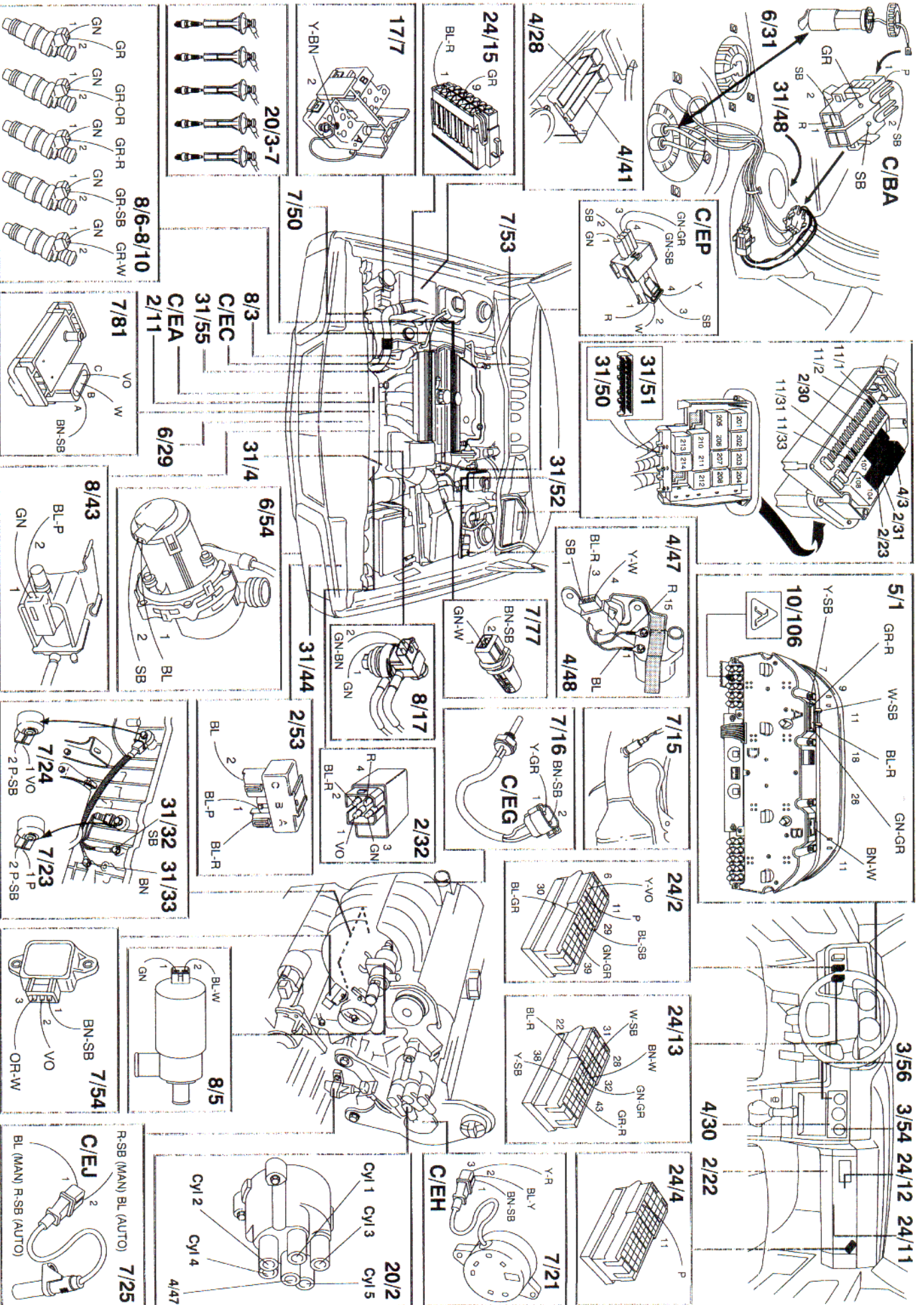
Ground connections



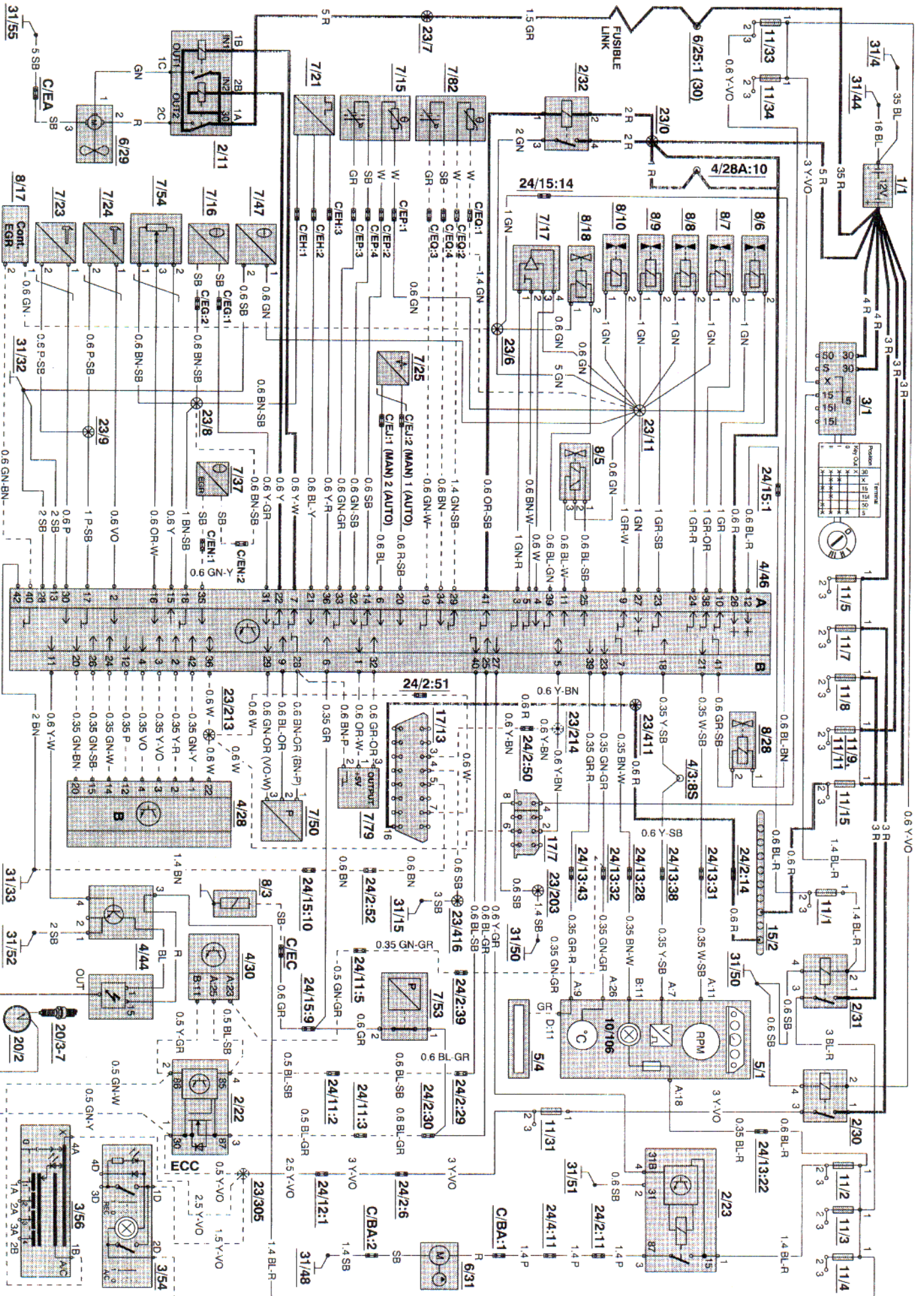


Multiport fuel injection (MFI), LH 3.2 Distributor ignition (DI) system, EZ 129 K

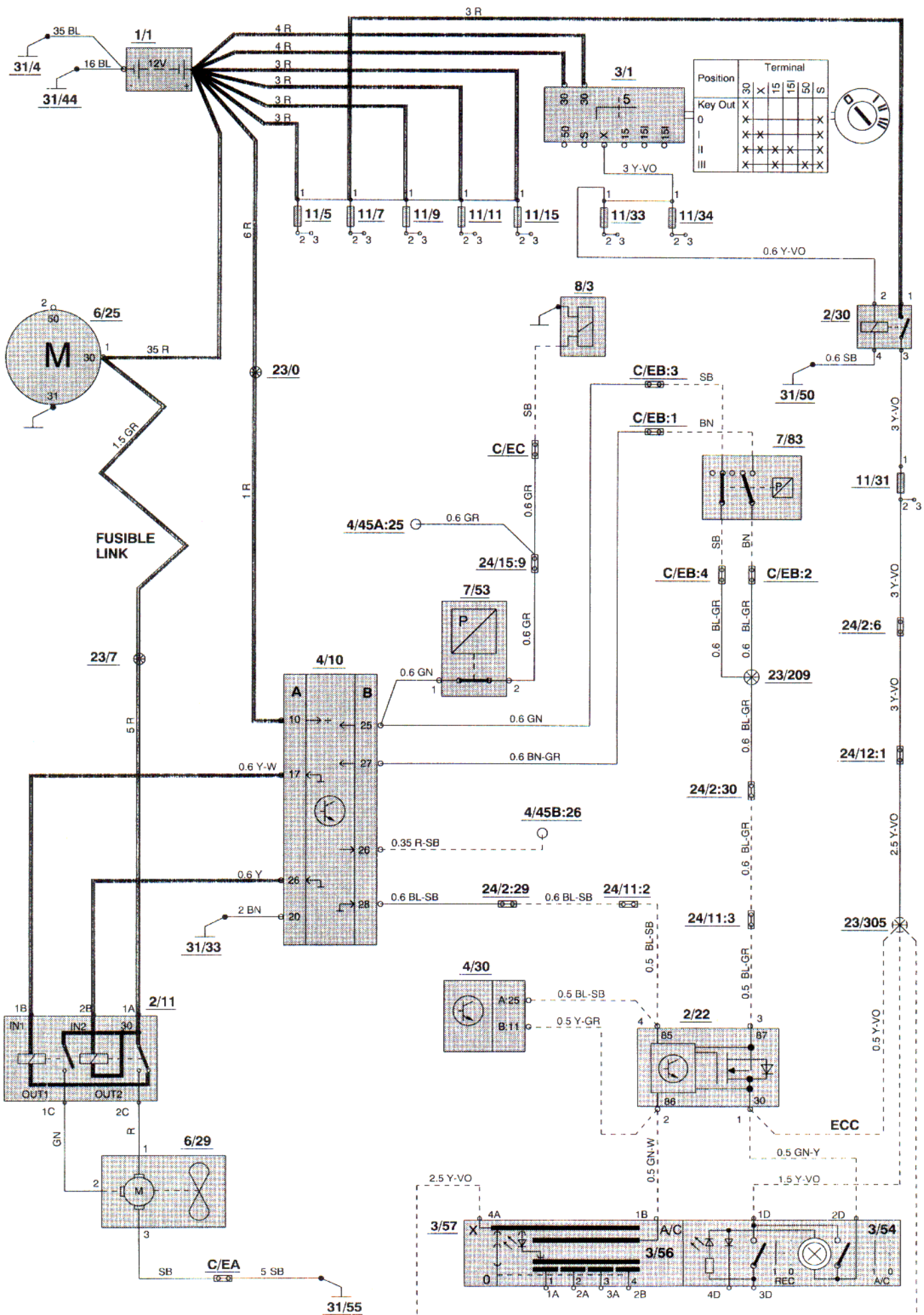


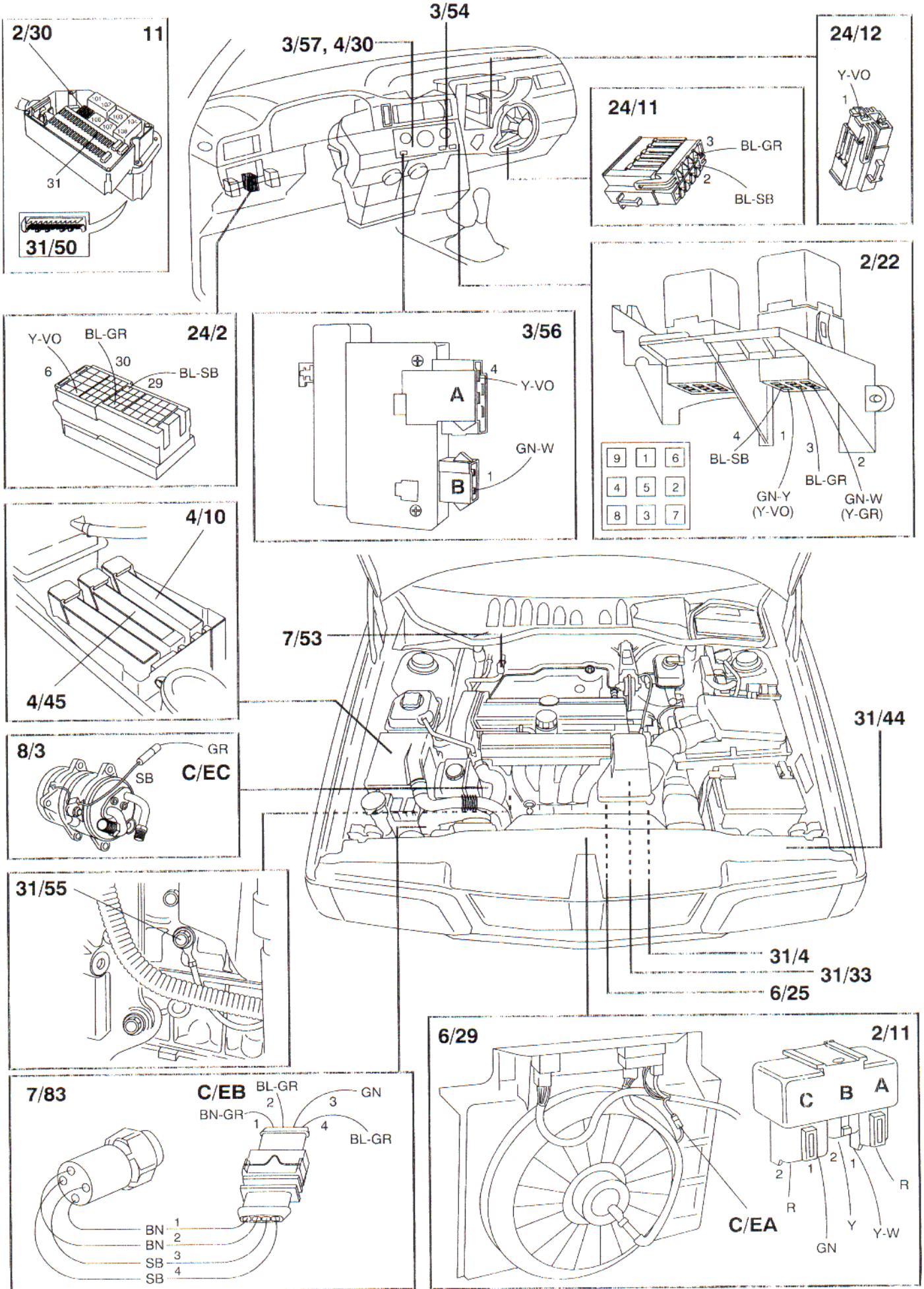


Sequential fuel injection (SFI) system, Motronic 4.3

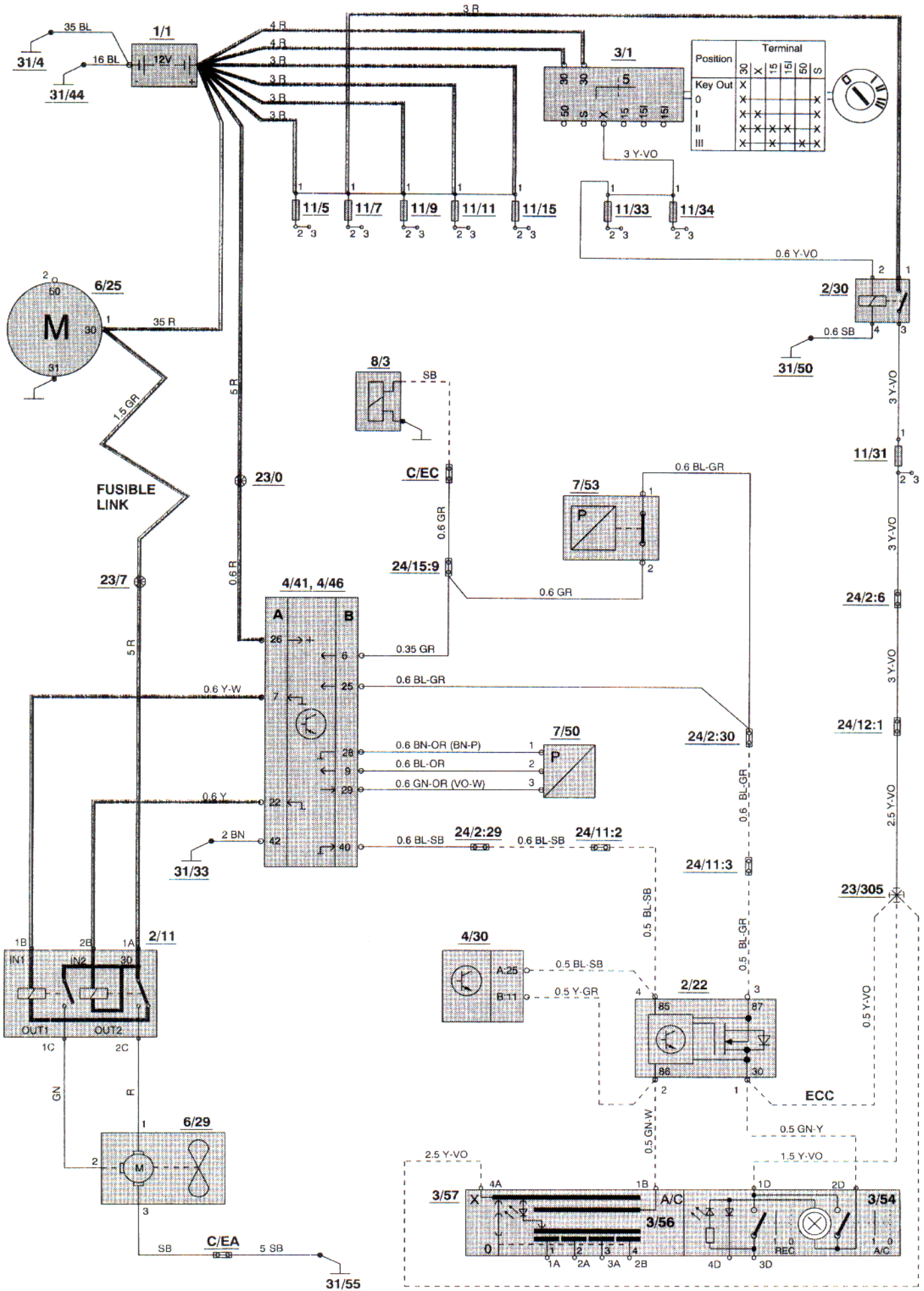


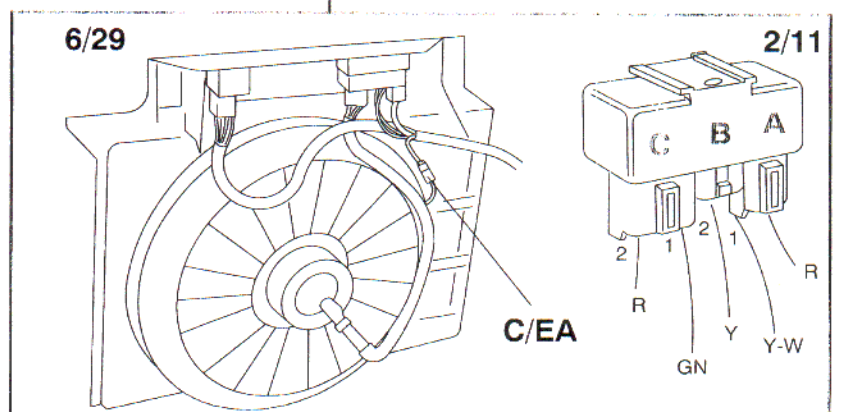
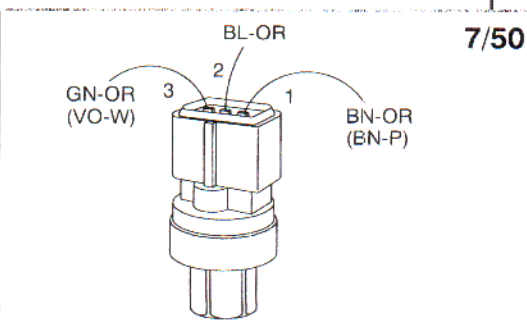
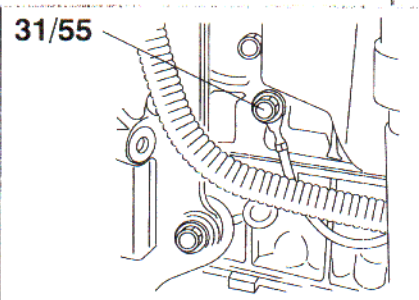
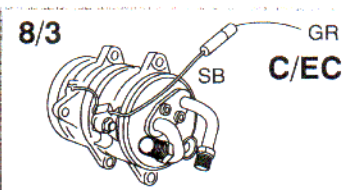
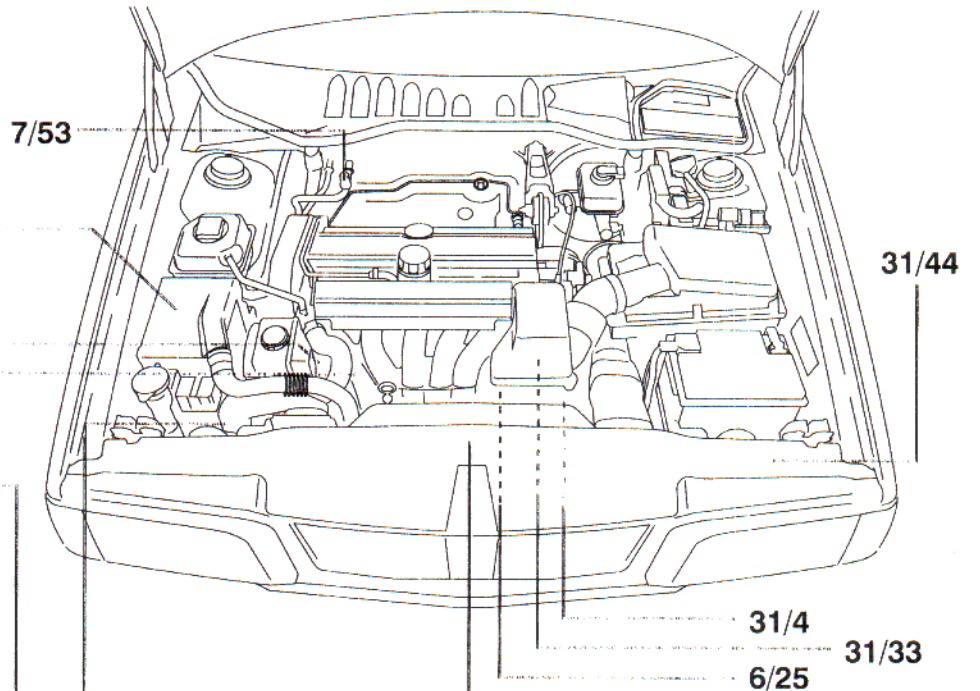
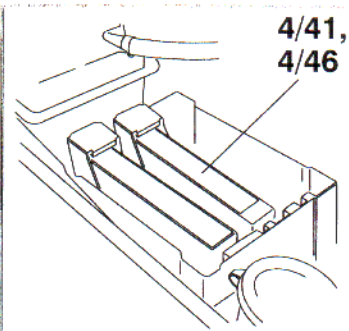
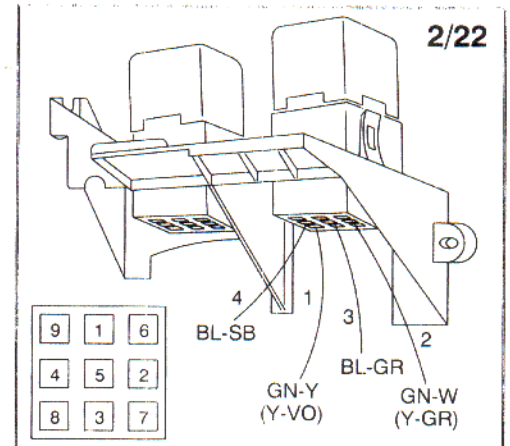
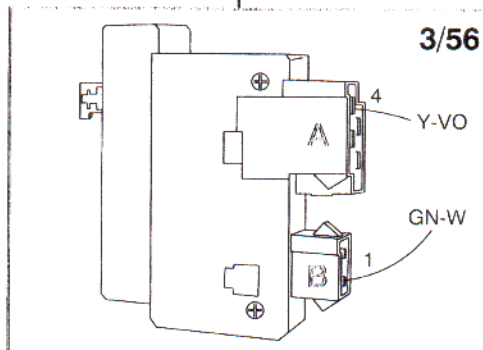
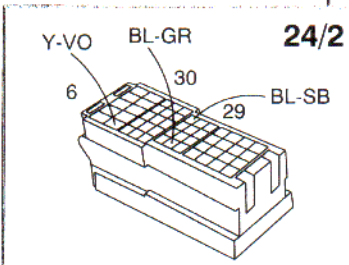
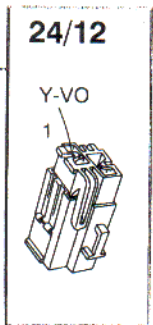
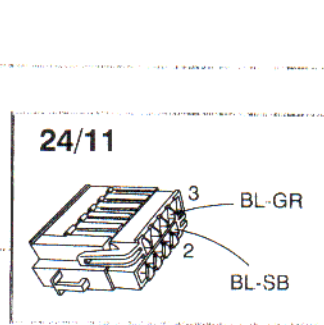
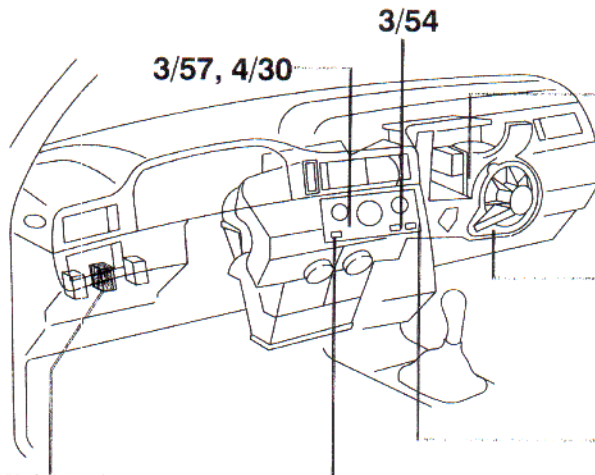
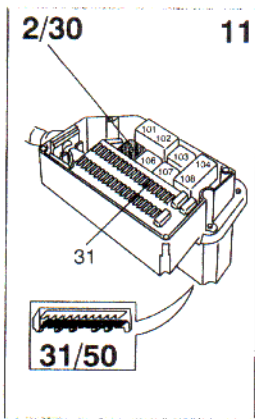
Engine cooling fan (EZ 129 K DI)



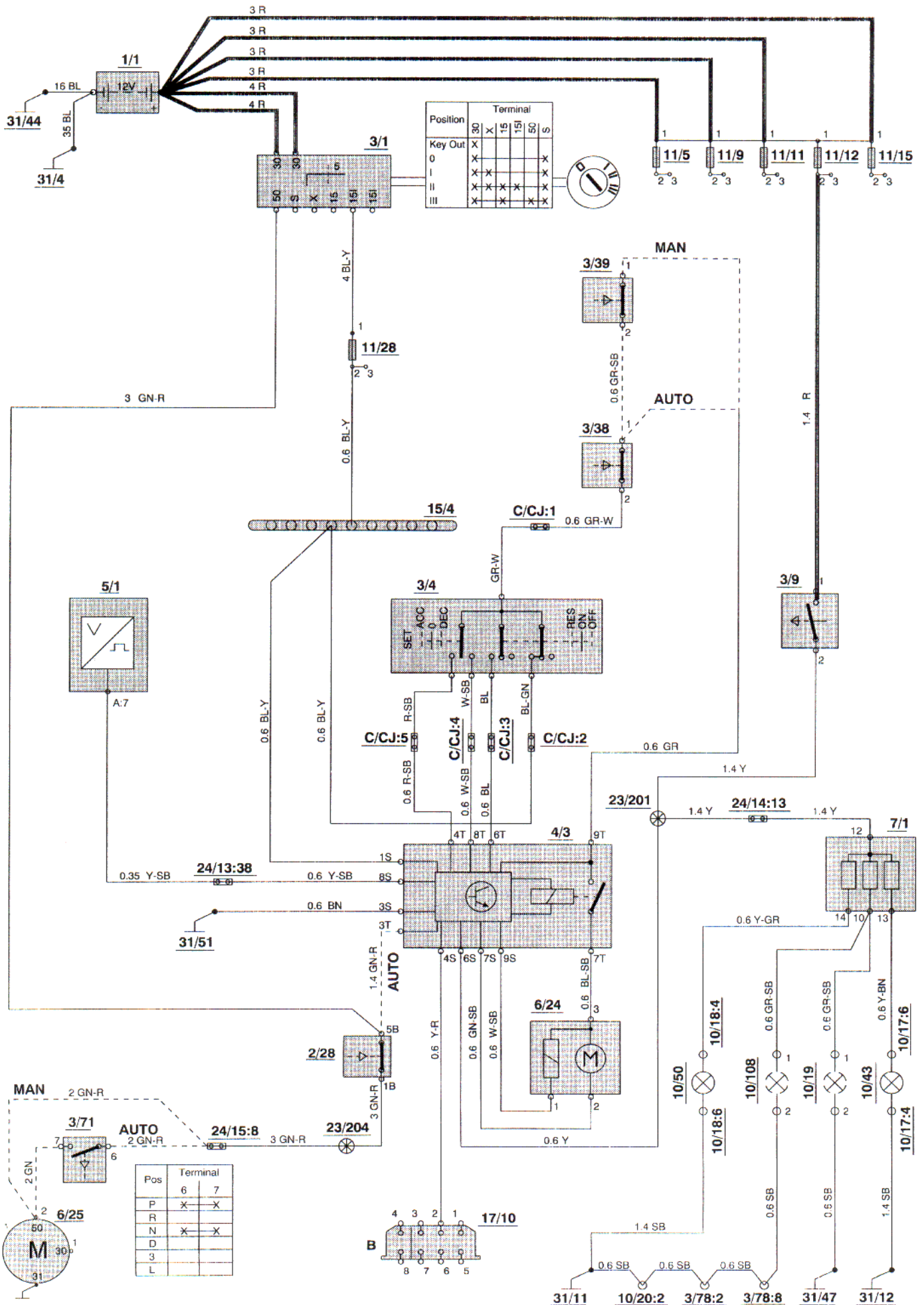


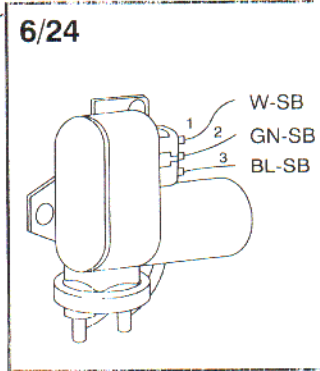
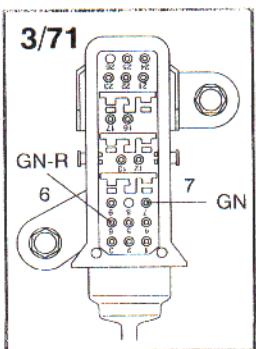
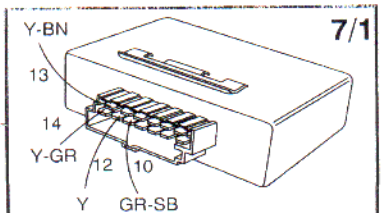
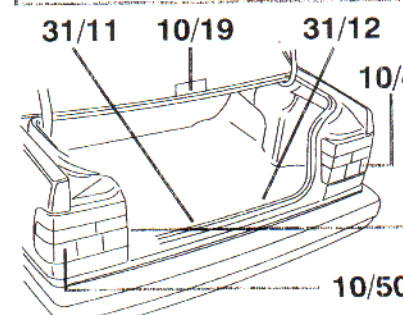
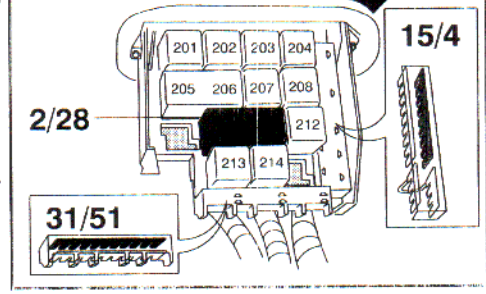
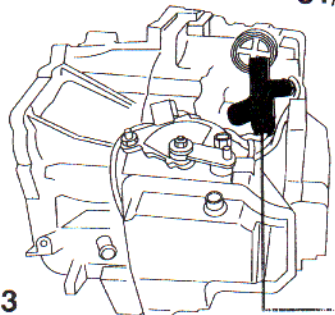
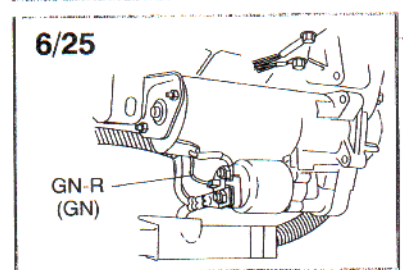
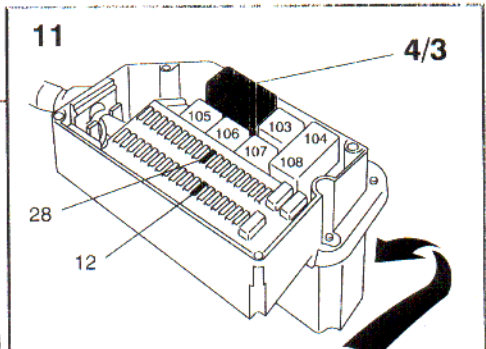
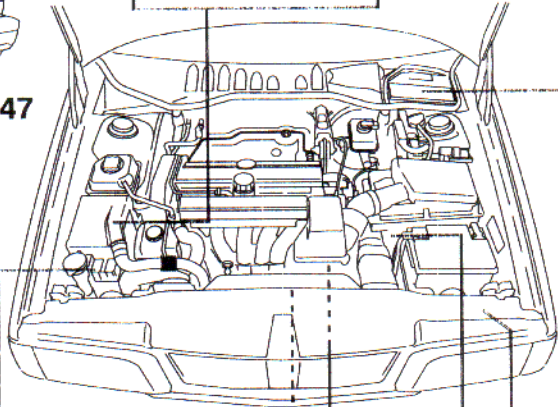
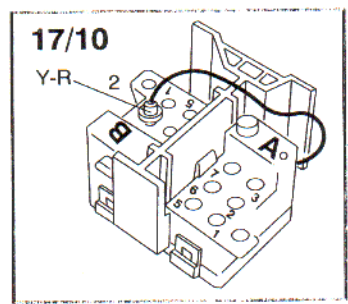
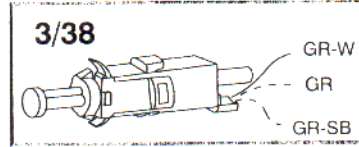
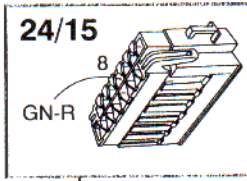
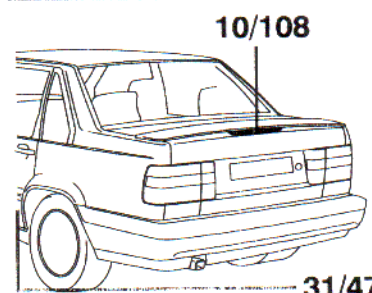
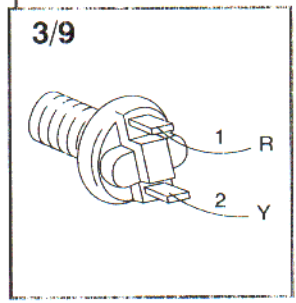
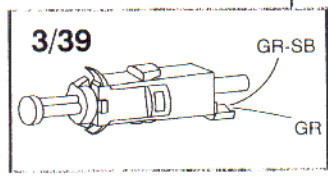
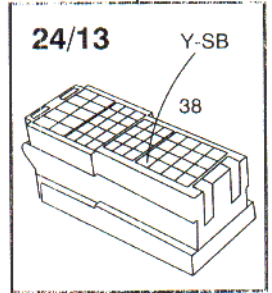
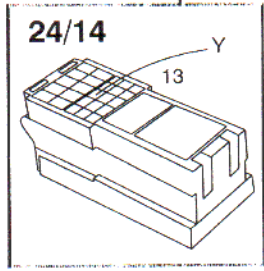
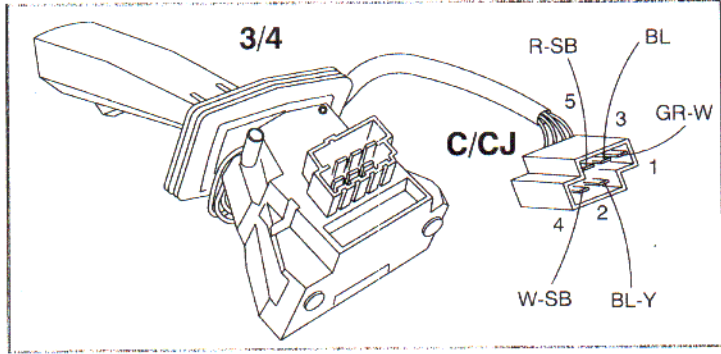
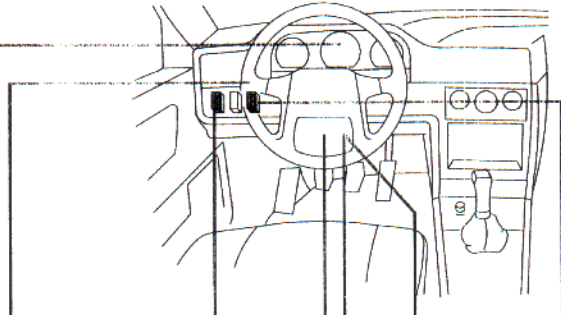
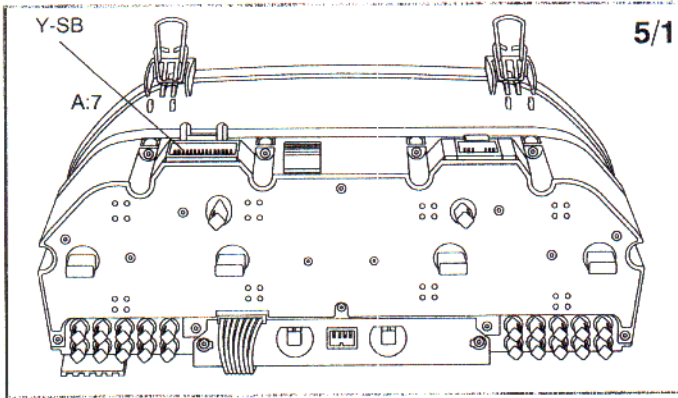
Engine cooling fan (Fenix 5.2, Motronic 4.3 SFI)



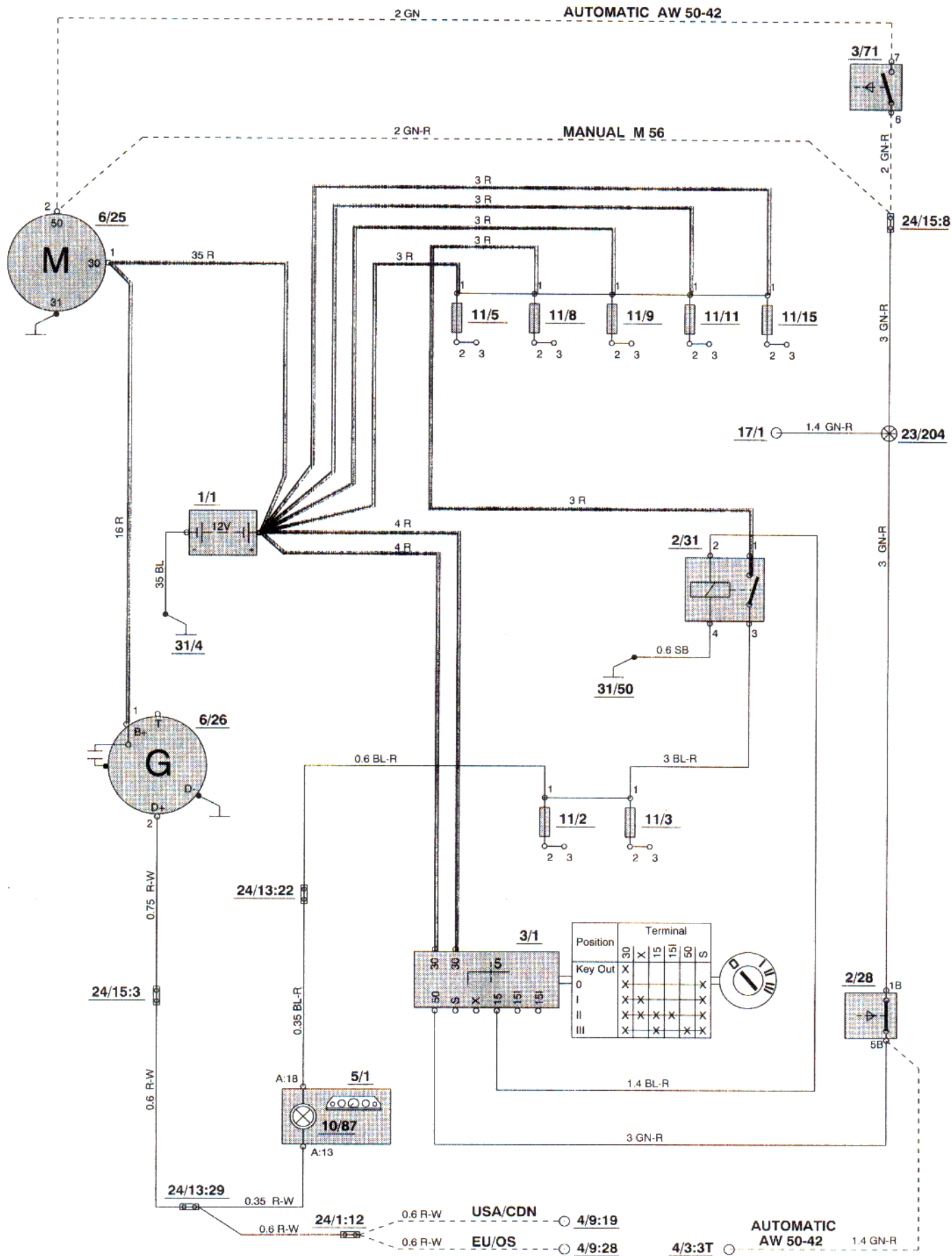


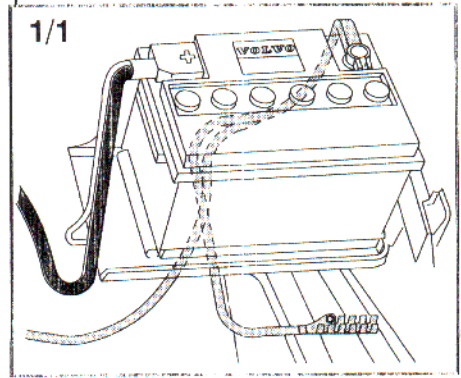
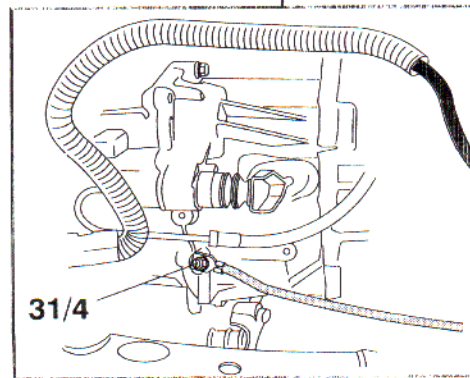
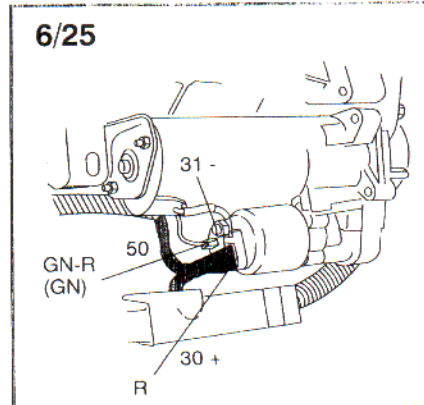
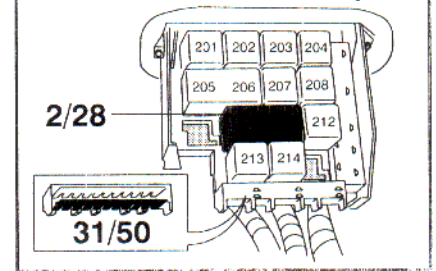
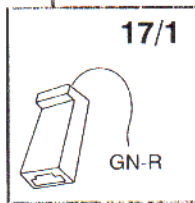
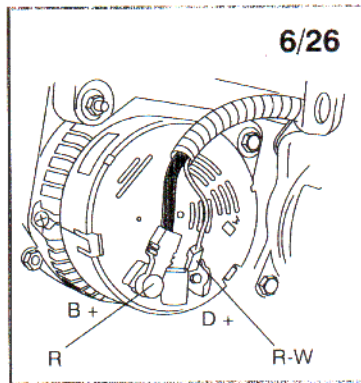
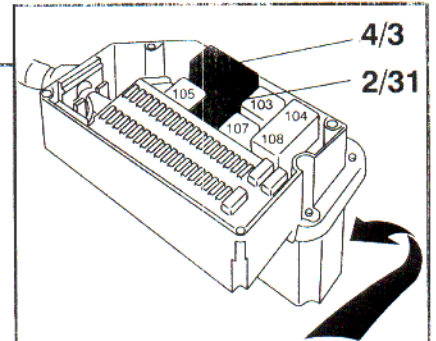
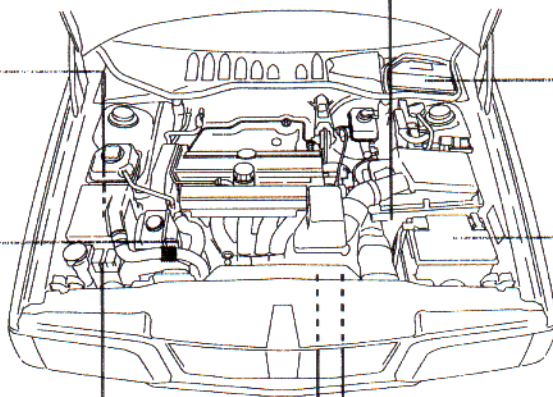
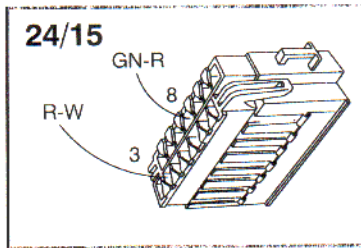
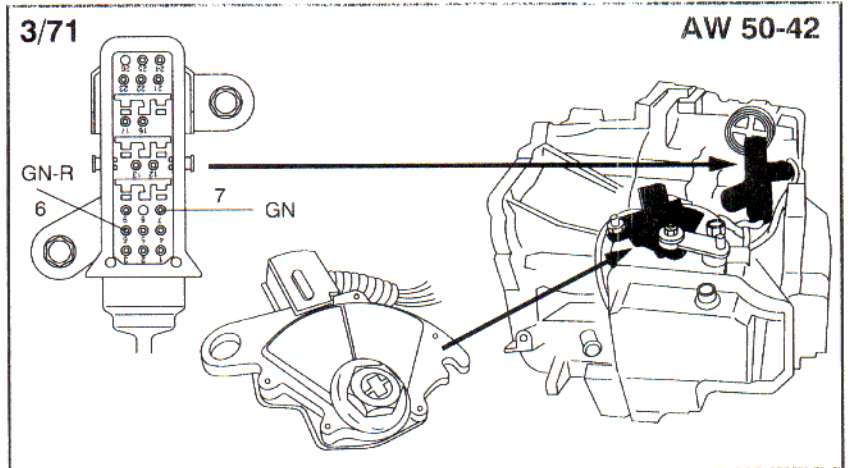
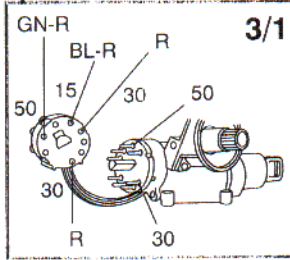
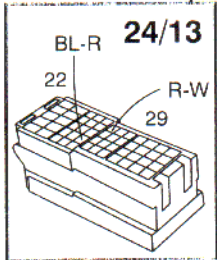
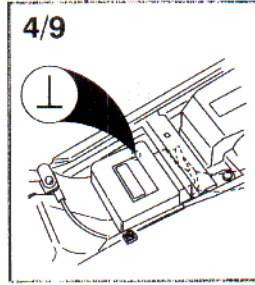
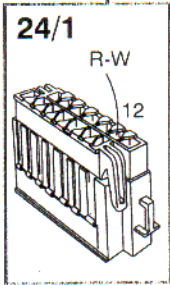
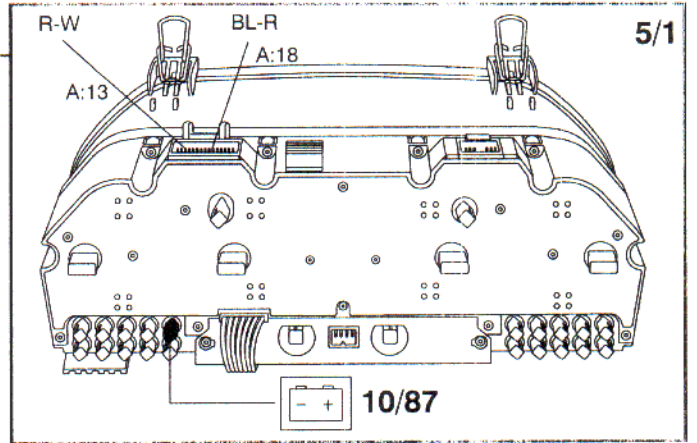
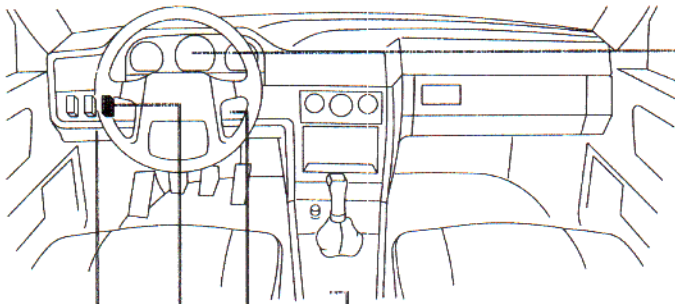
Cruise control



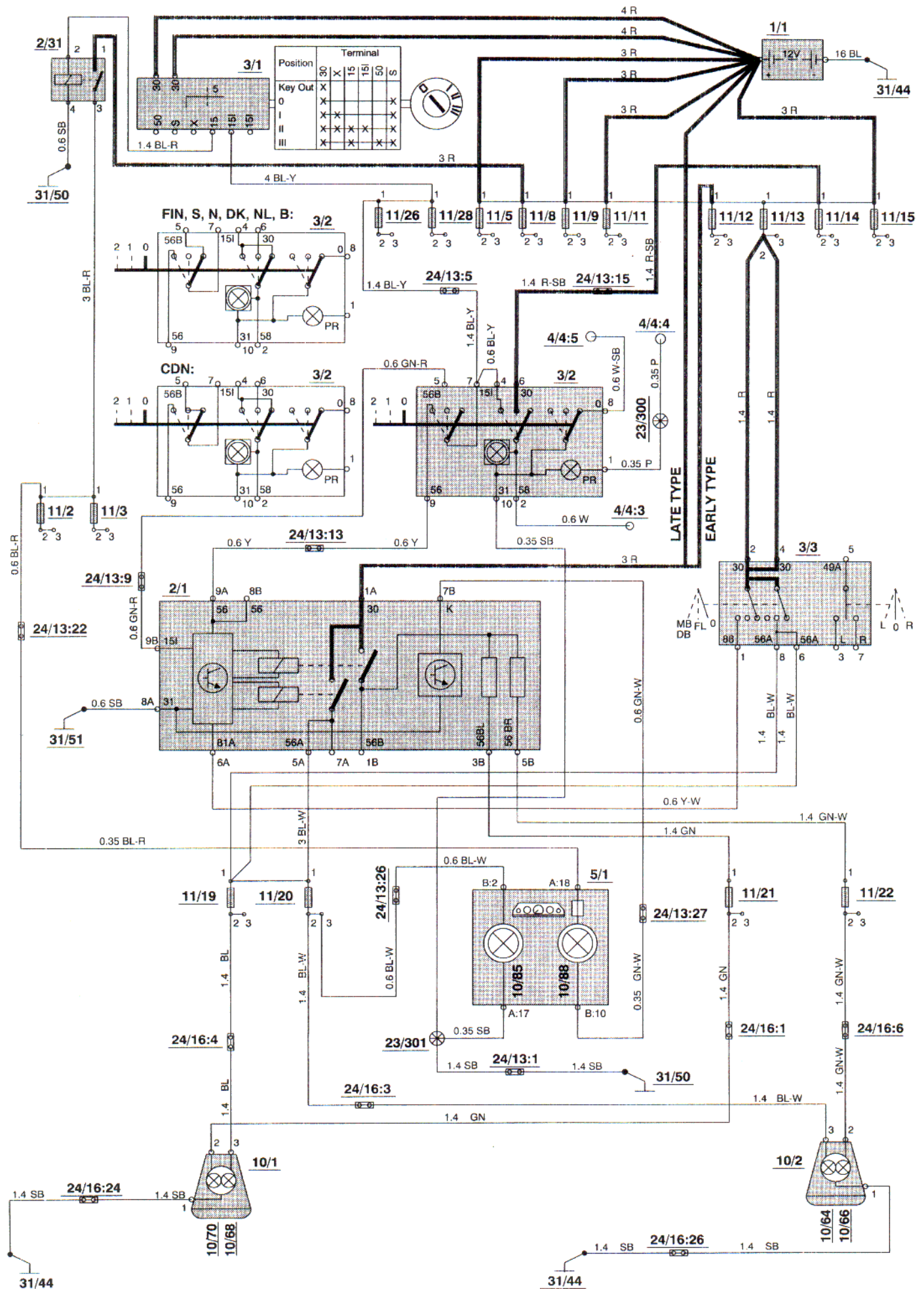


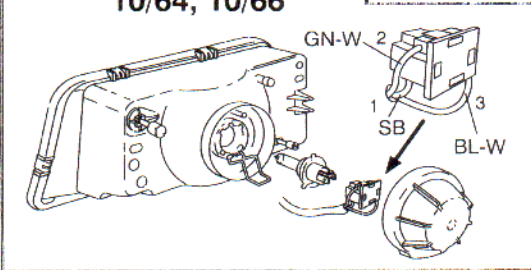
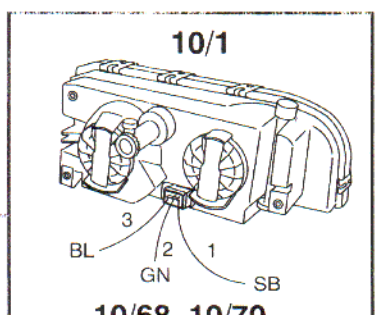
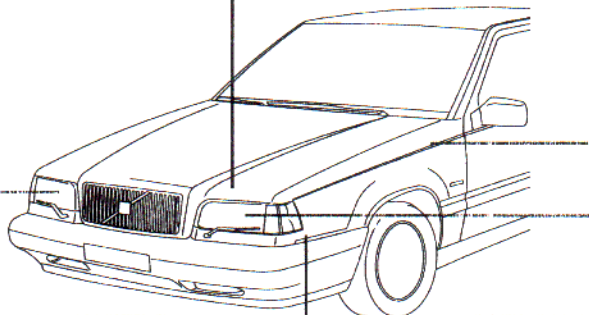
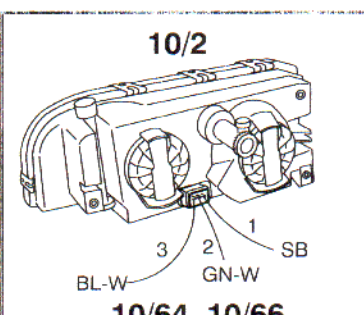
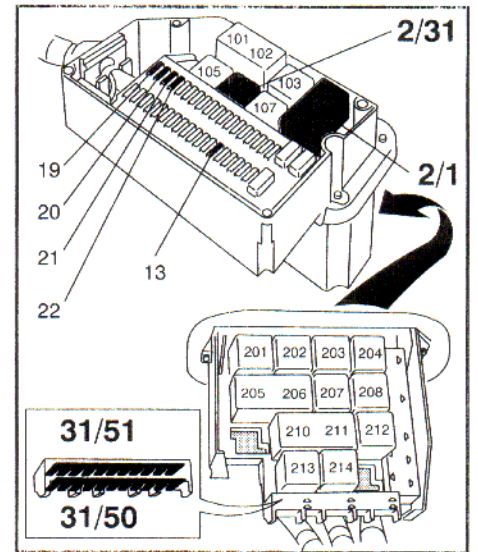
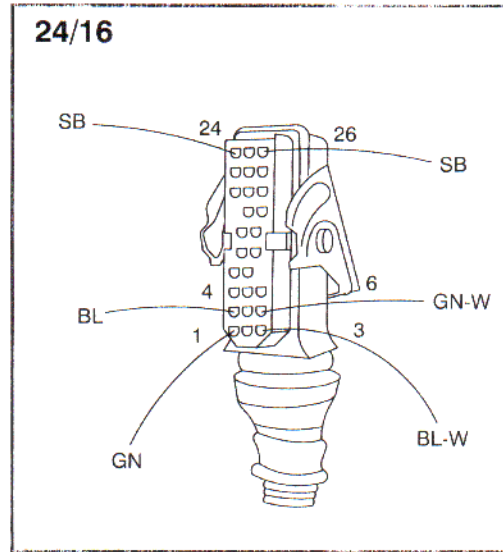
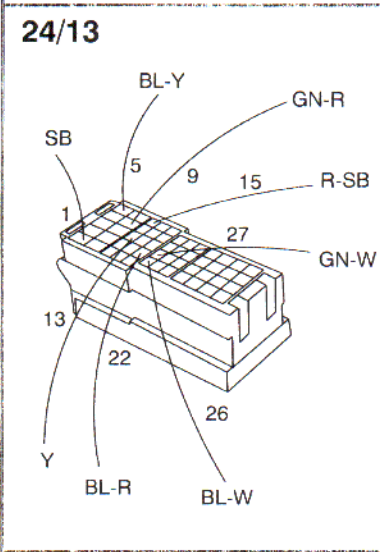
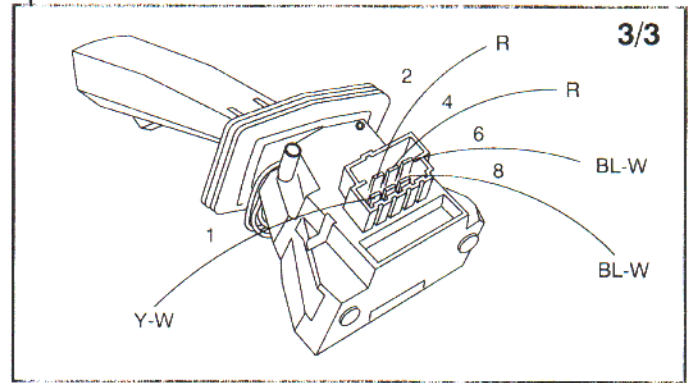
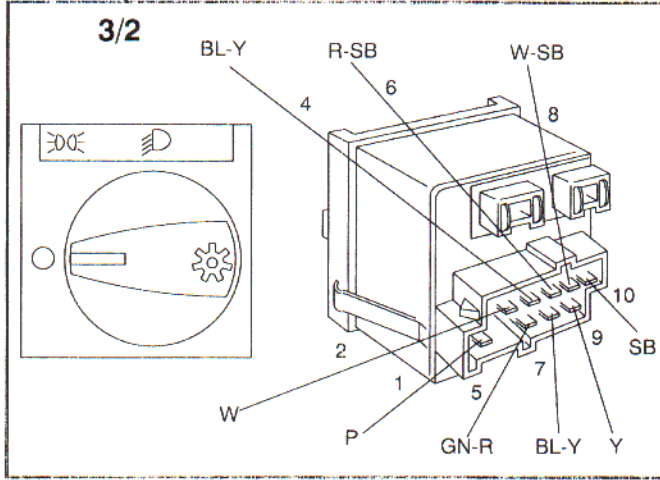
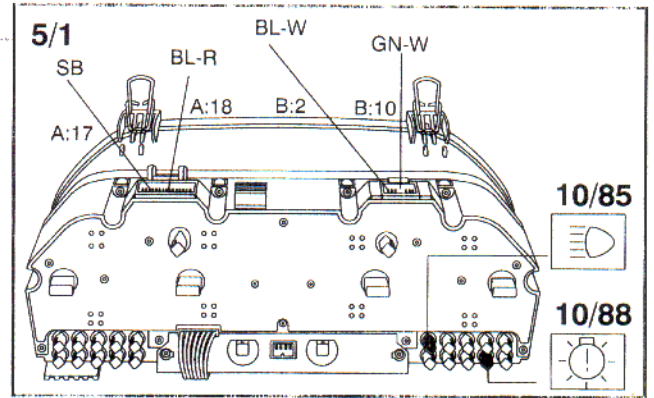
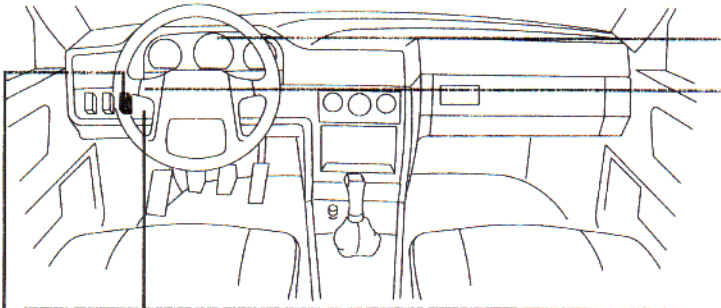
Charging circuit and starting system



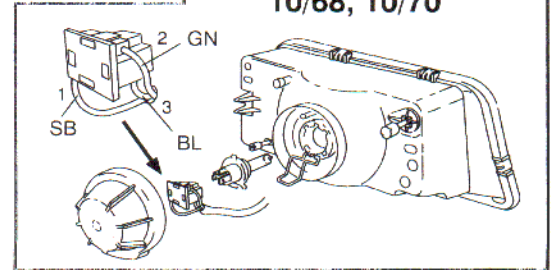


High and low beams

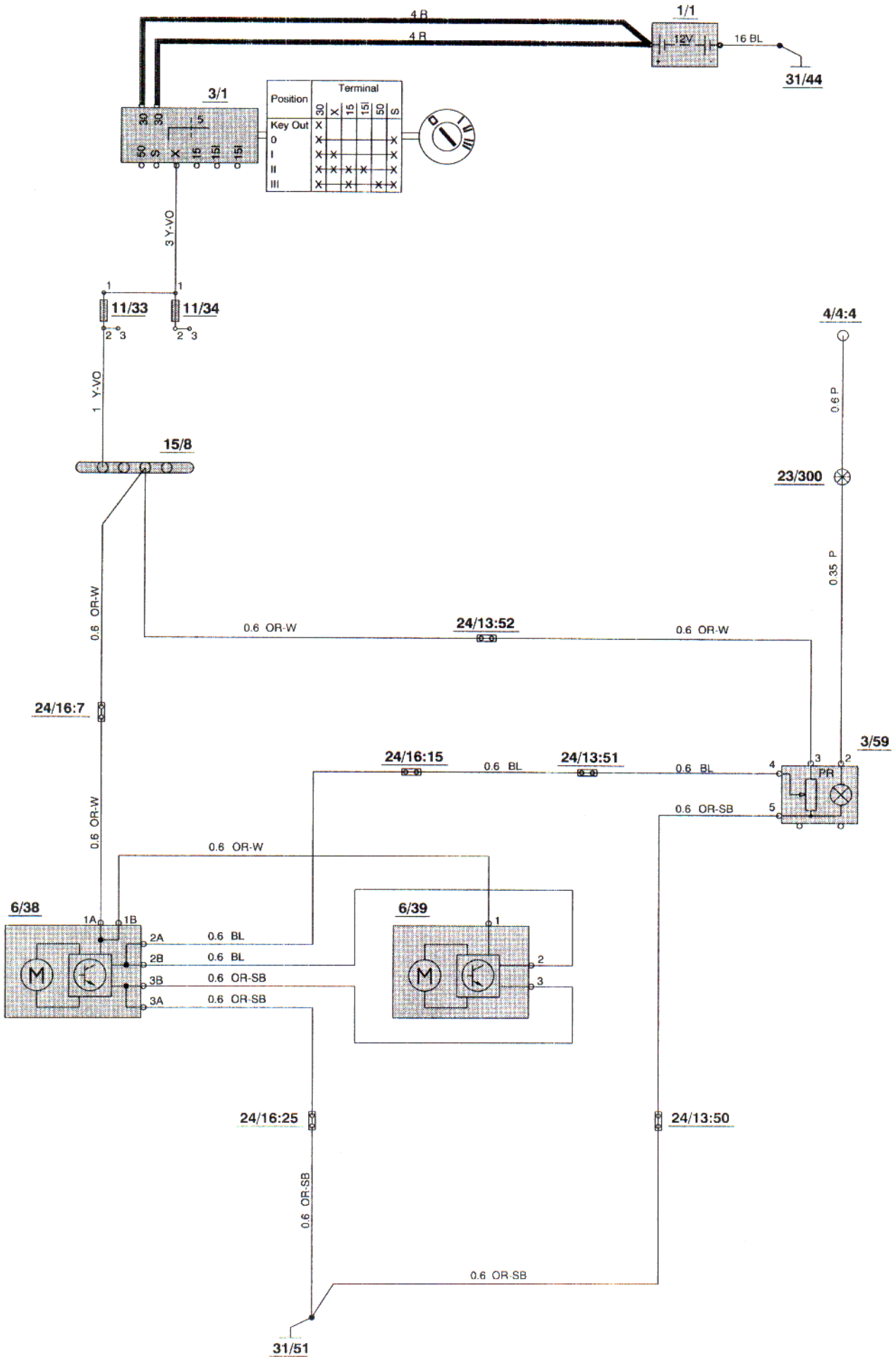


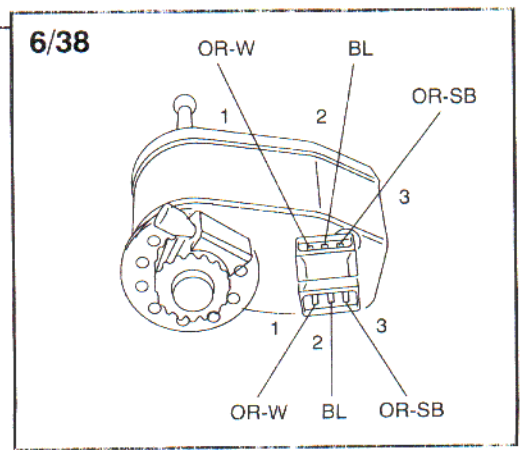
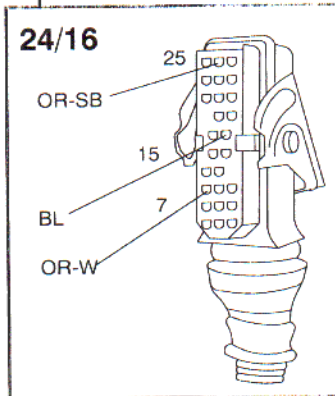
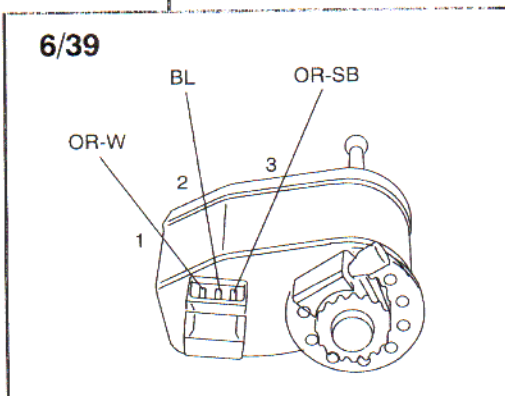
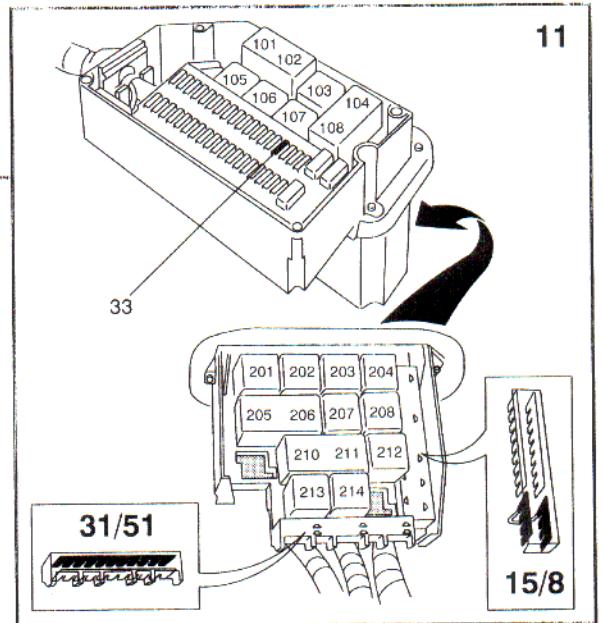
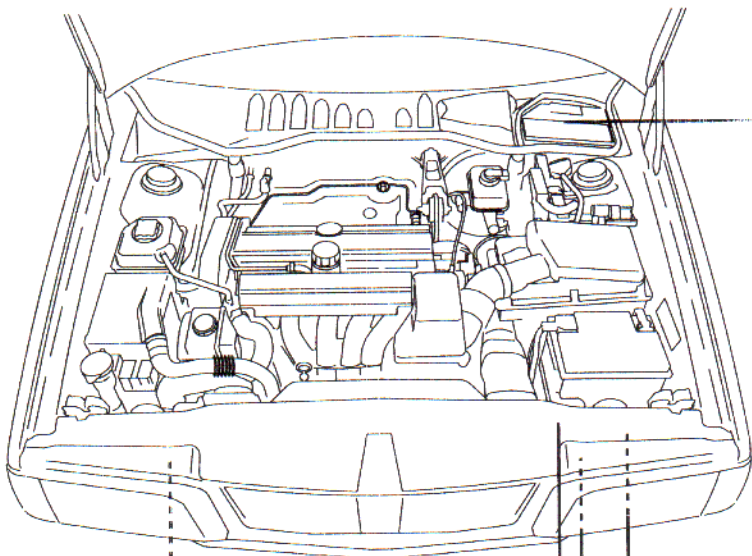
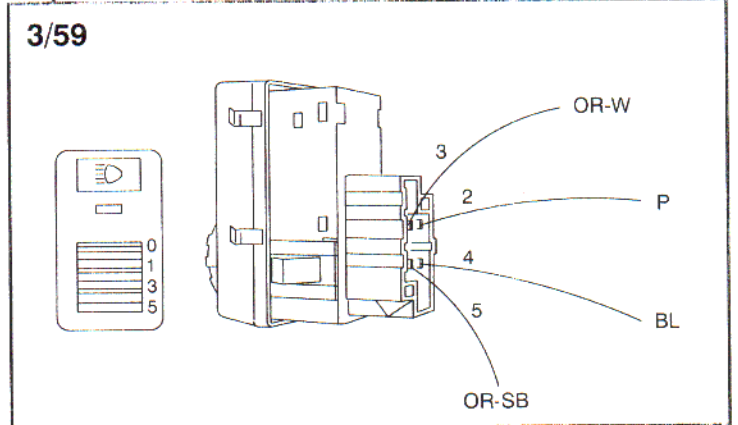
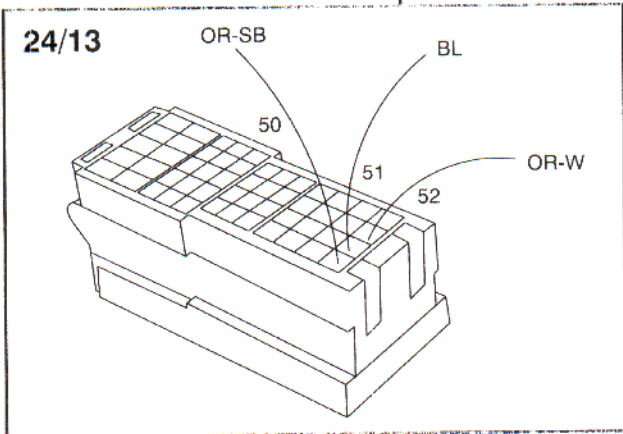
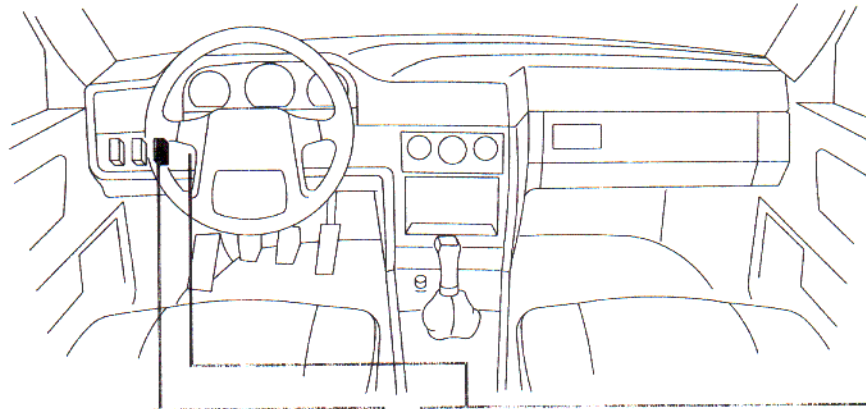


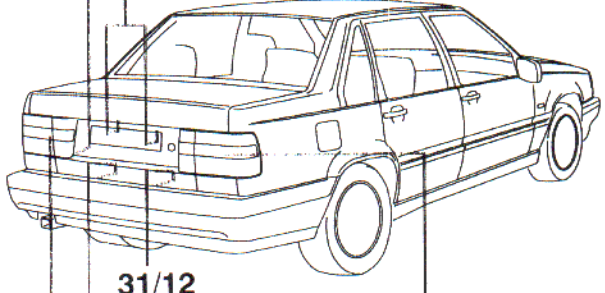
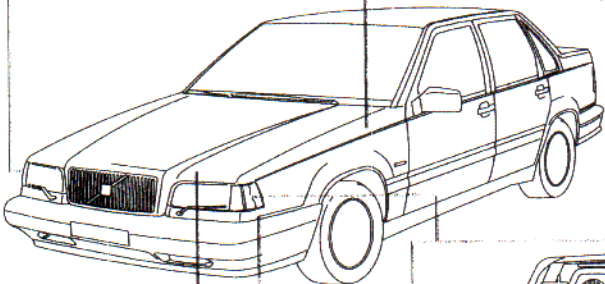
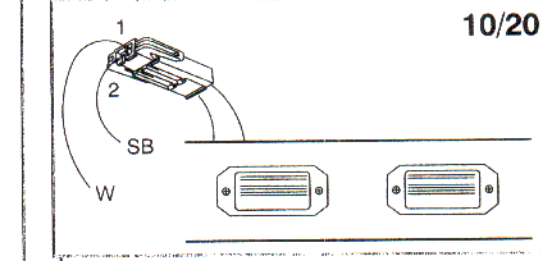
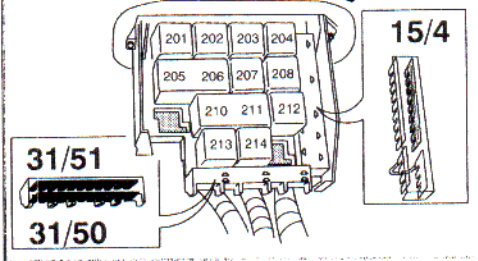
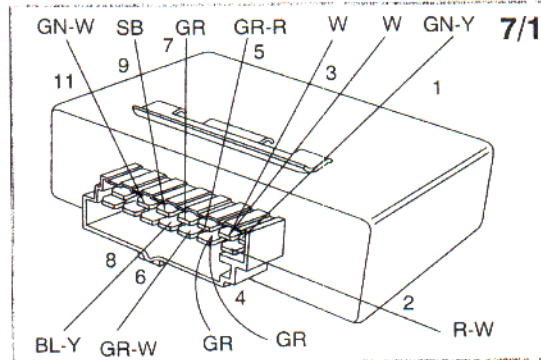
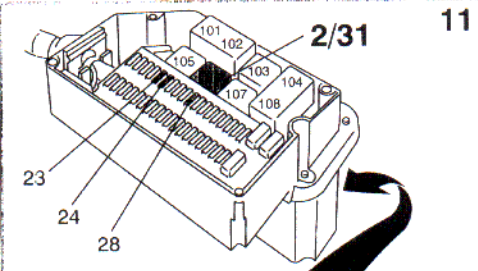
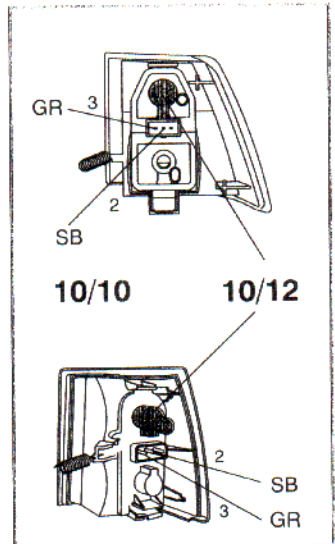
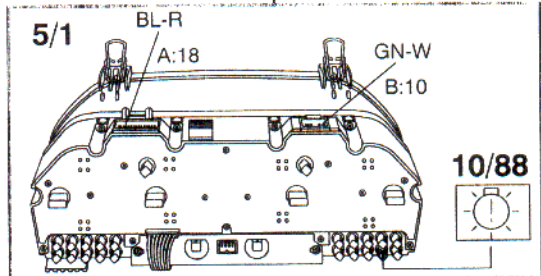
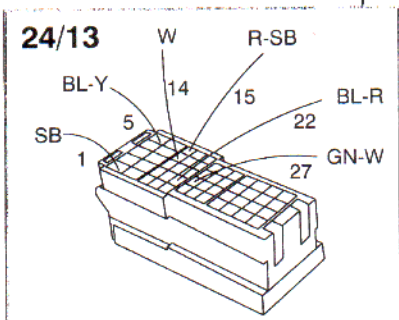
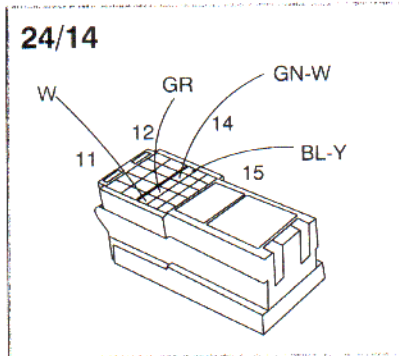
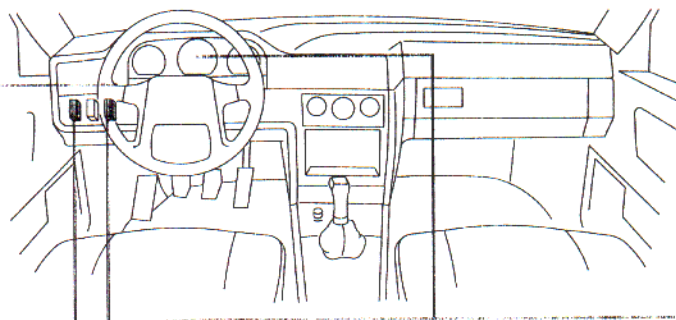
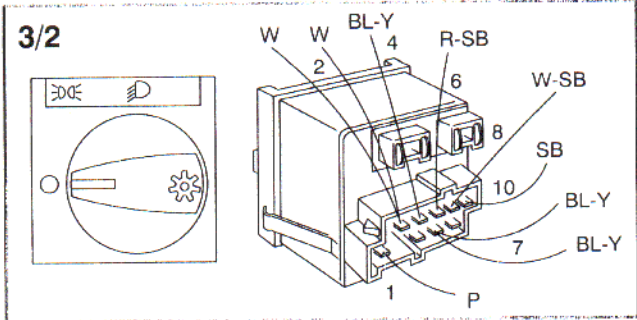
31/44



Beam width control

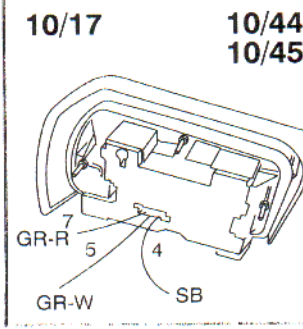
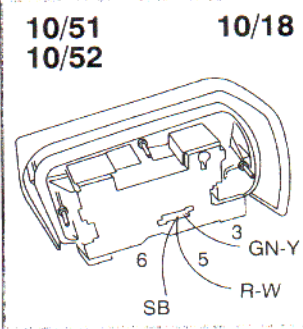
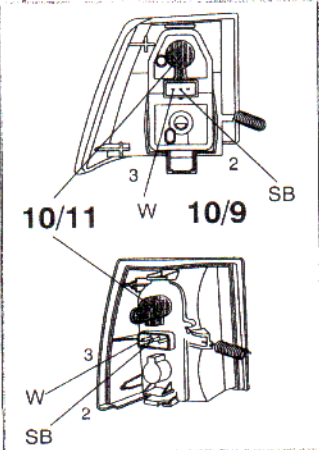
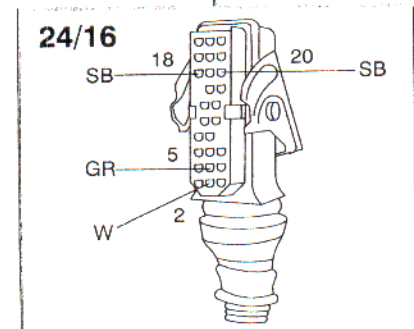




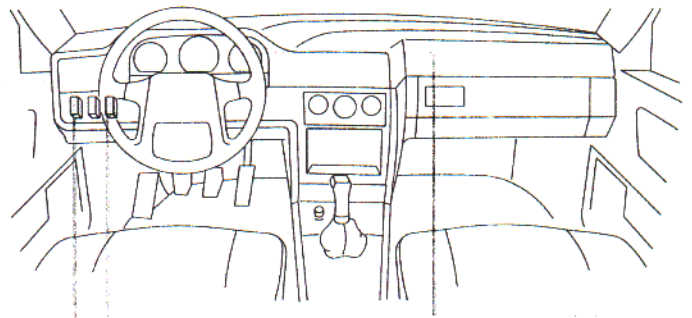
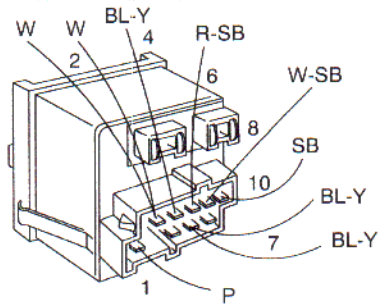
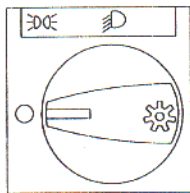


31/44

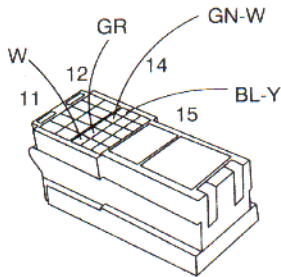
31/12 **31/11**



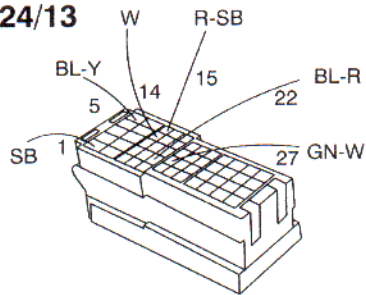
3/2



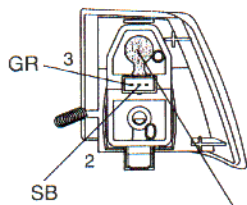
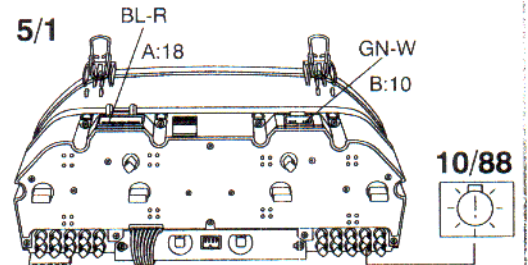
24/14



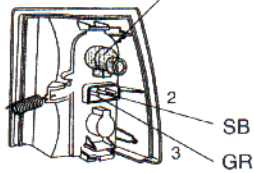
24/13



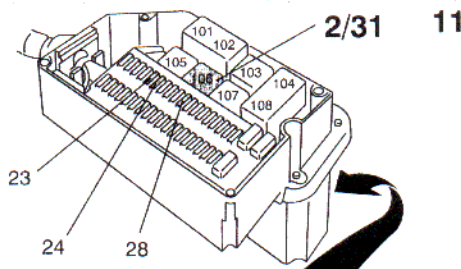
5/1



10/10

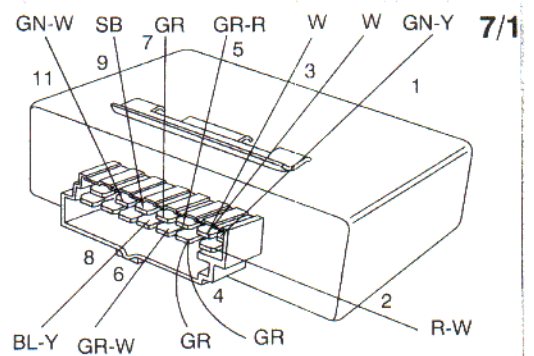
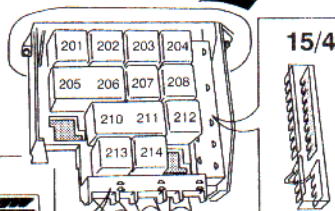


10/12

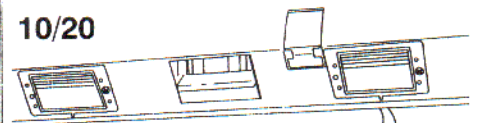


31/51

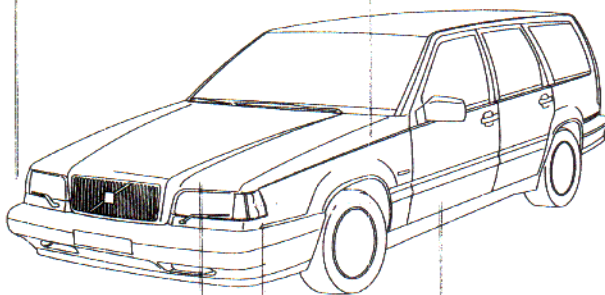
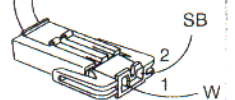
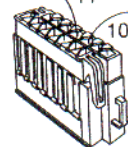
31/50



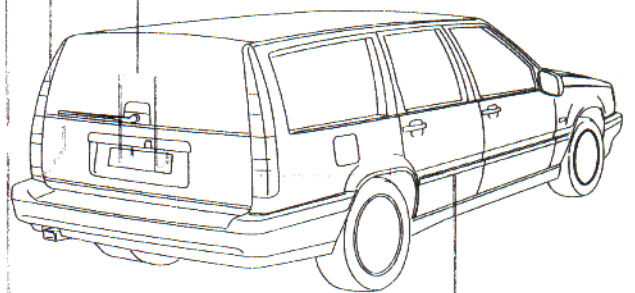
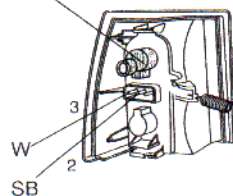
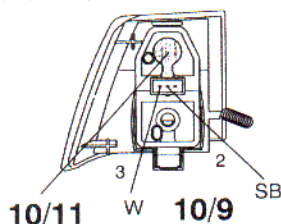
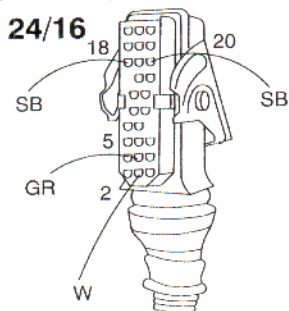
10/20



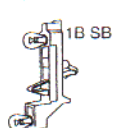
24/25



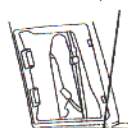
31/44



10/18



31/11



31/12



10/17

10/51



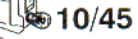
10/52



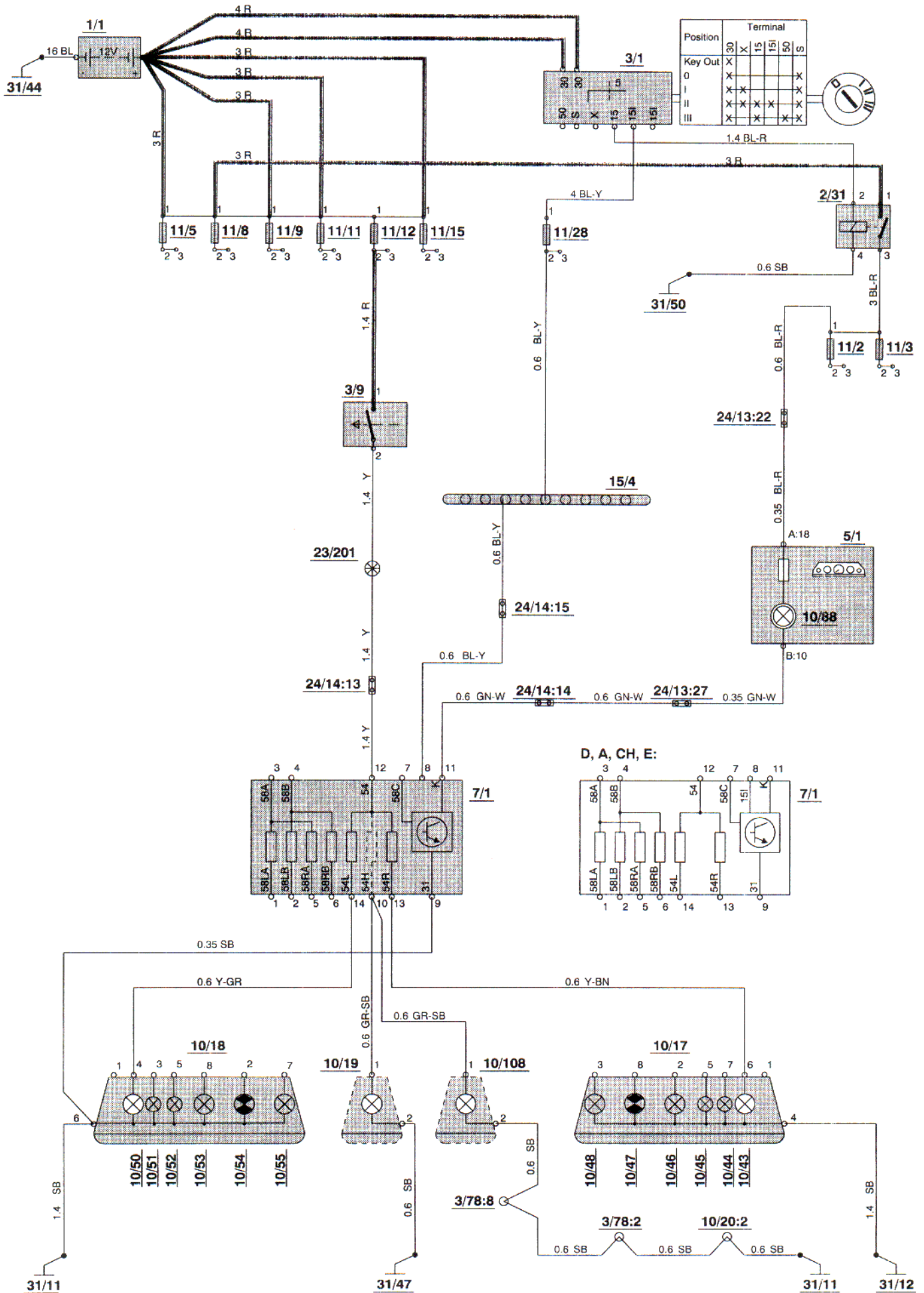
10/44

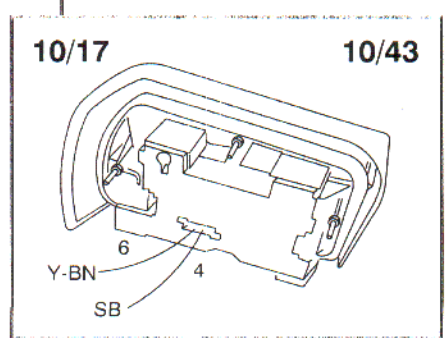
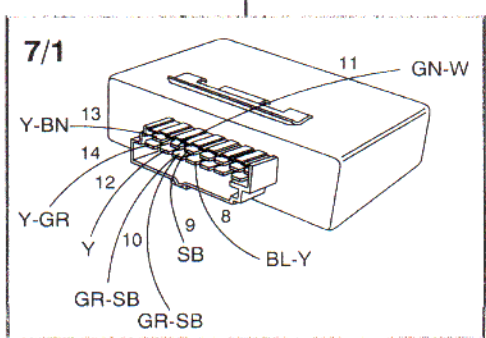
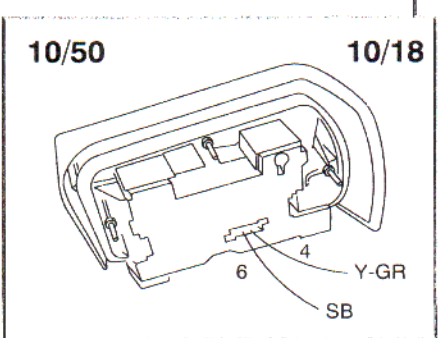
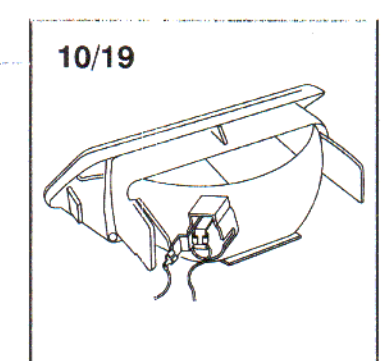
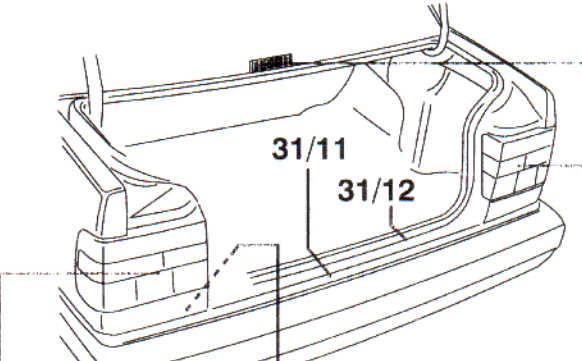
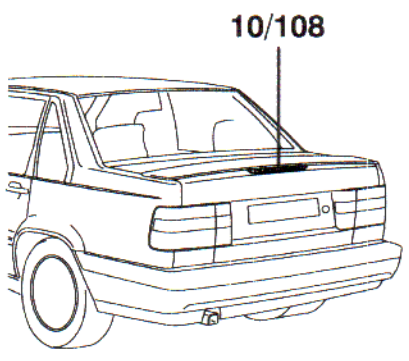
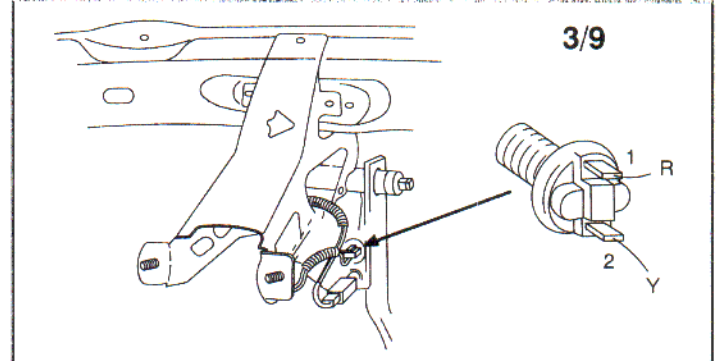
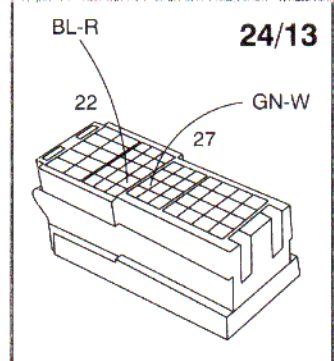
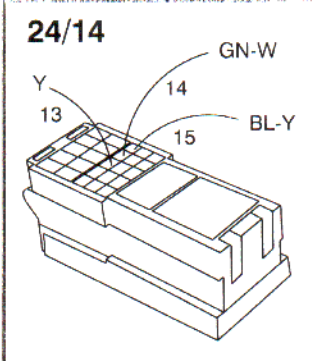
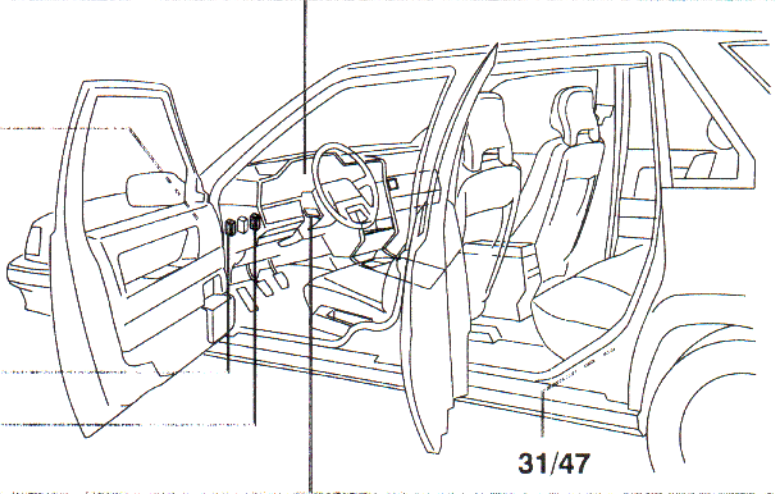
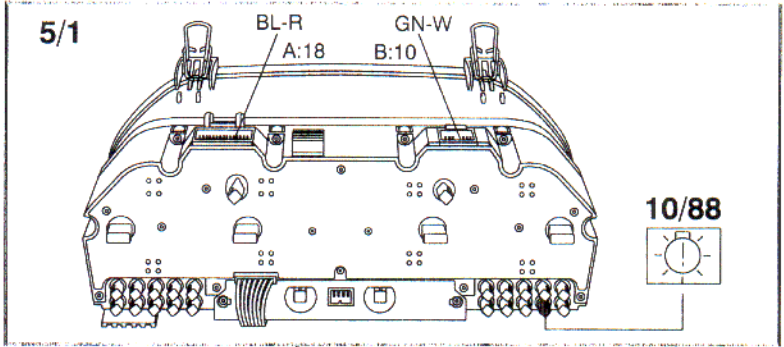
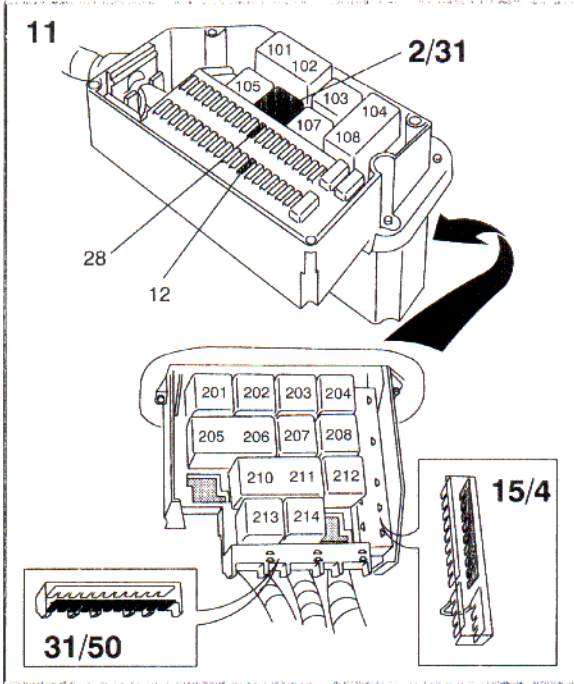


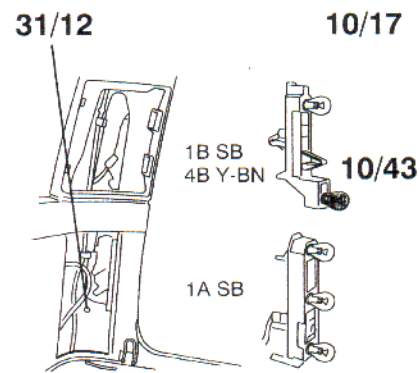
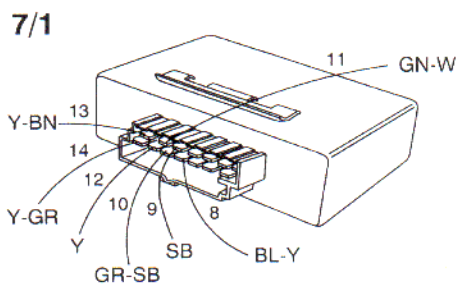
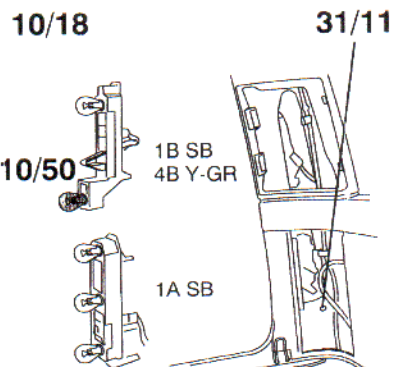
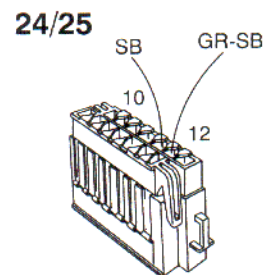
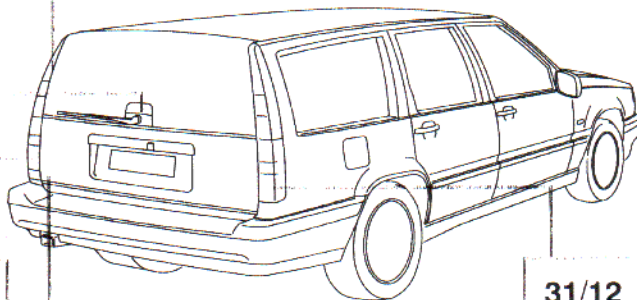
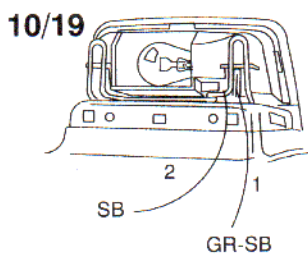
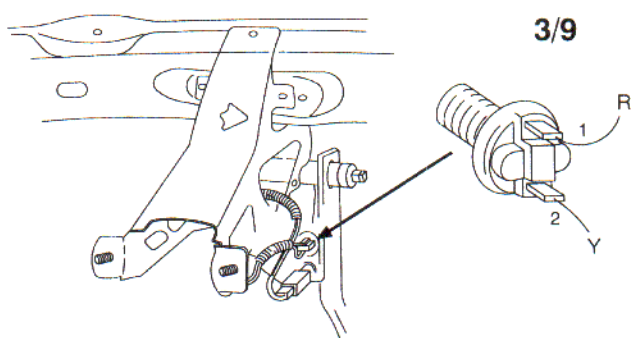
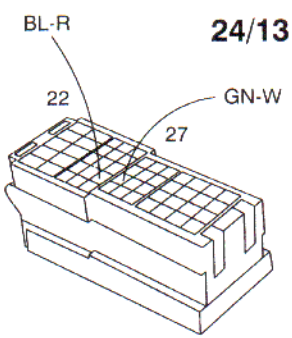
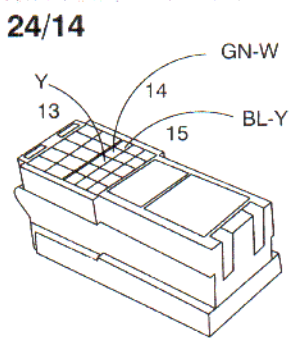
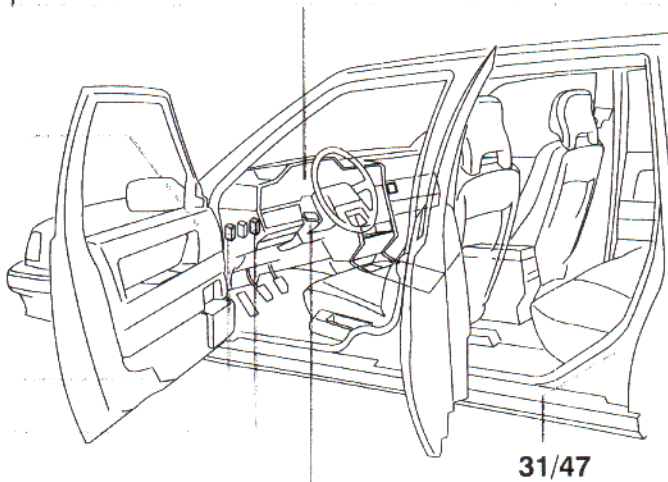
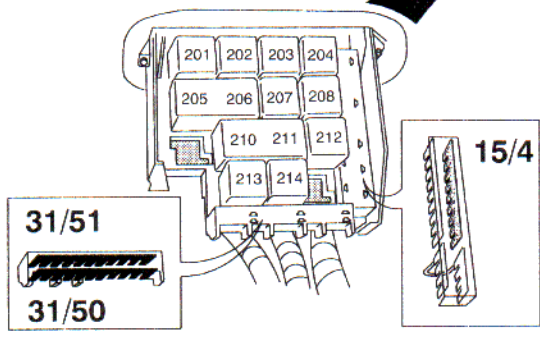
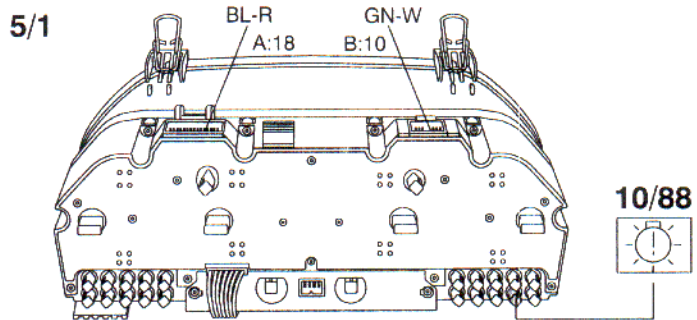
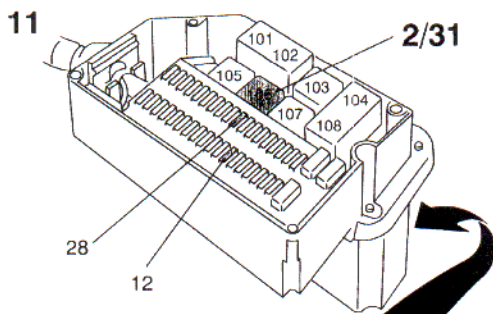
10/45



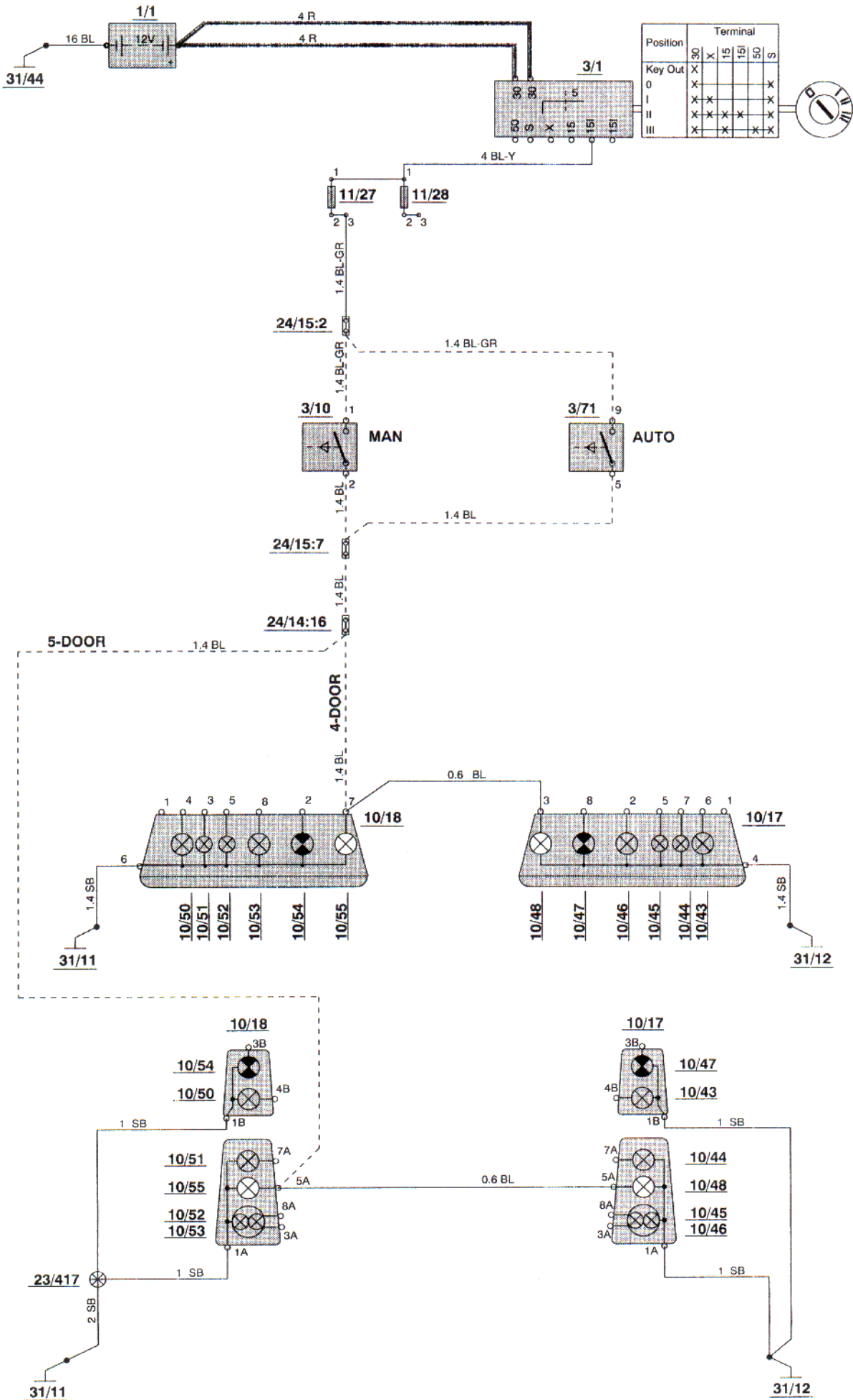
Brake lights, 4-door

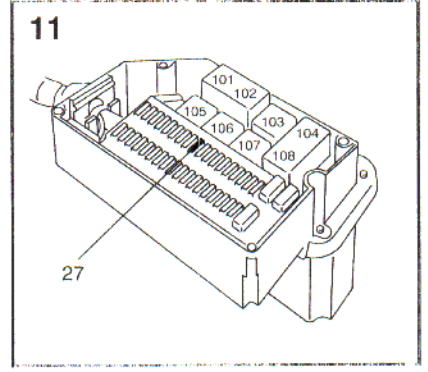
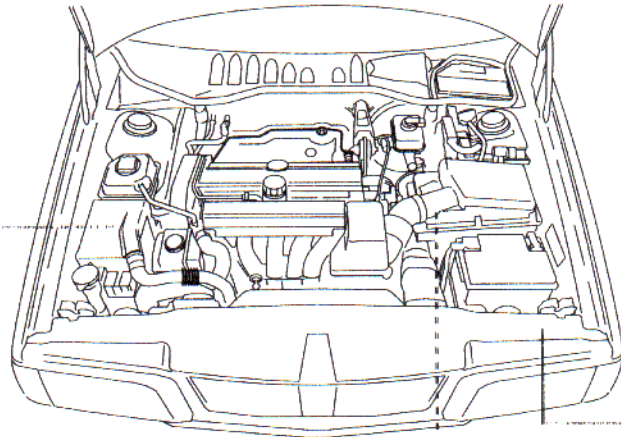
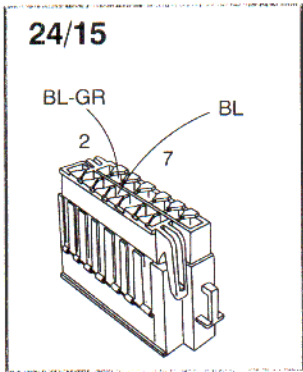




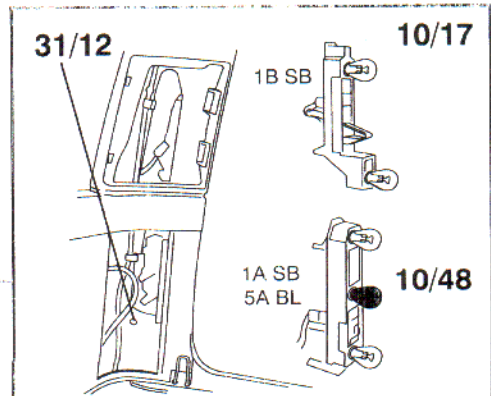
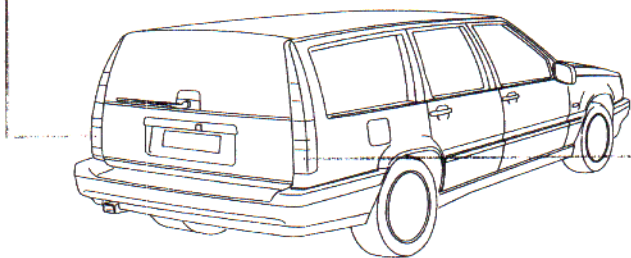
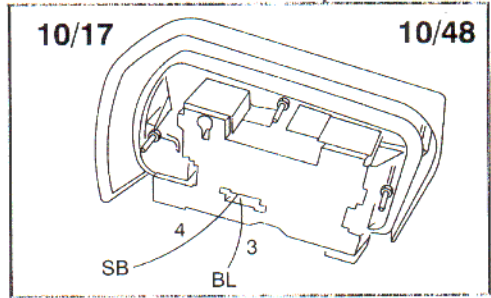
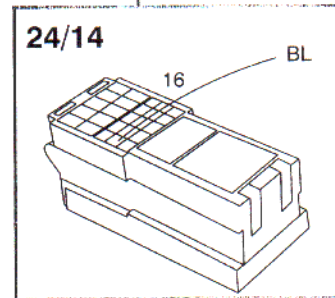
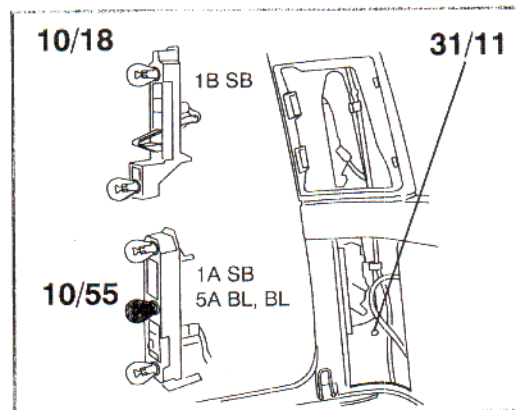
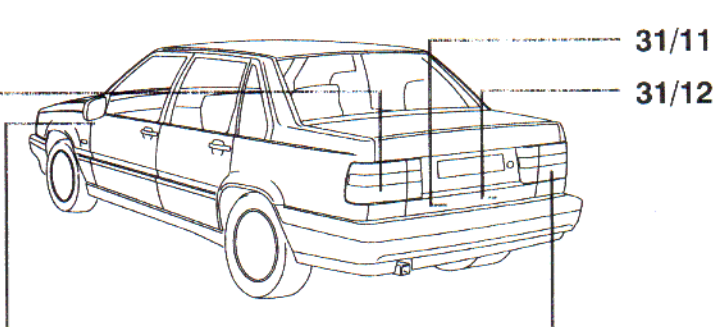
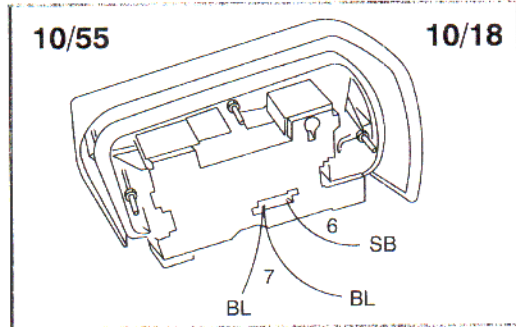
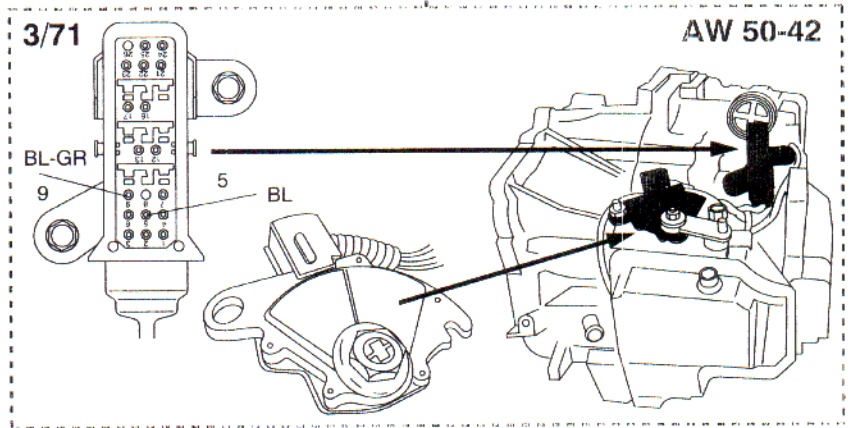
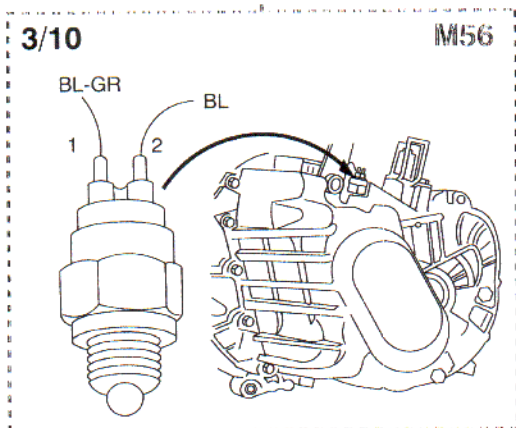


Backup (reversing) lights

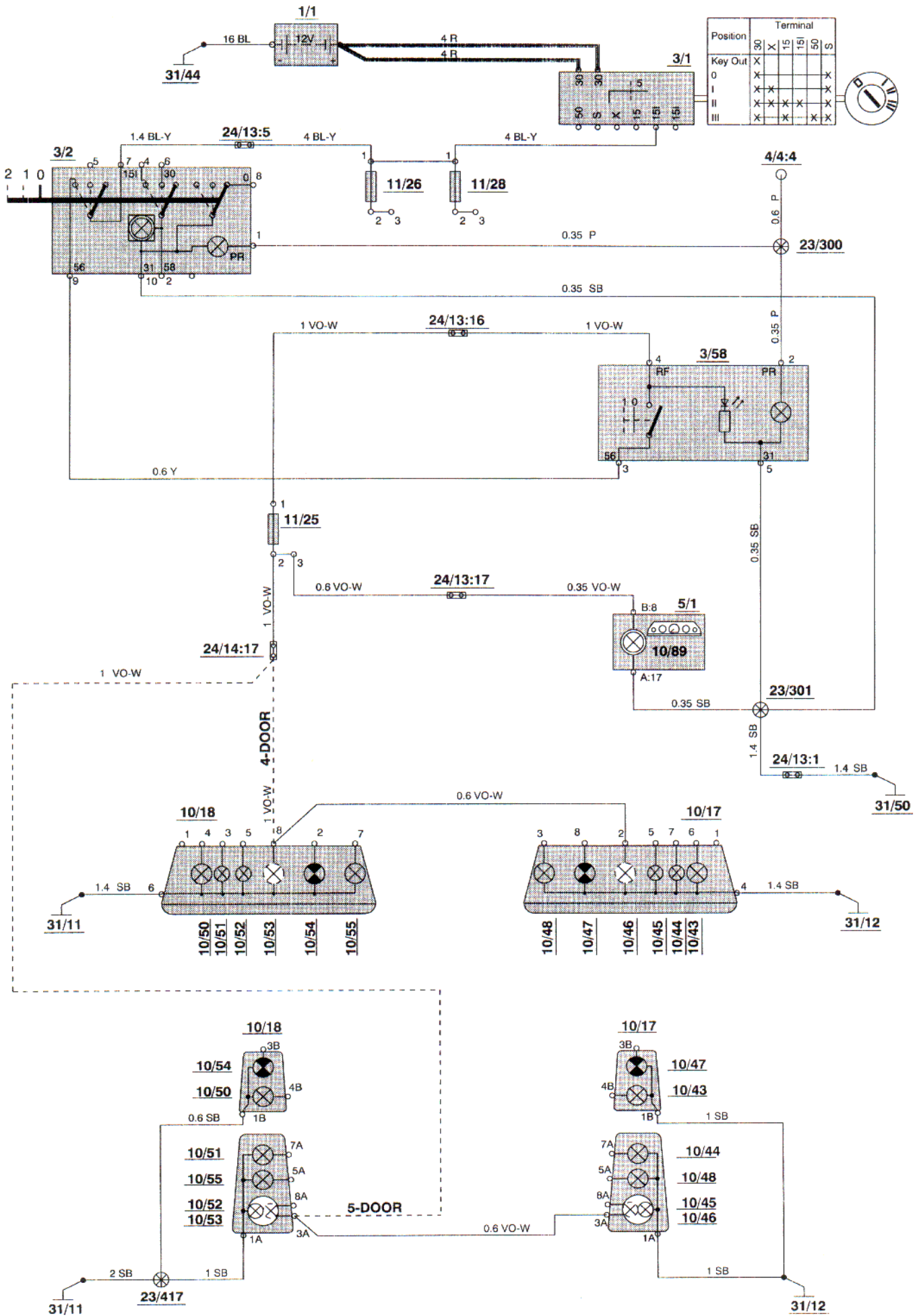


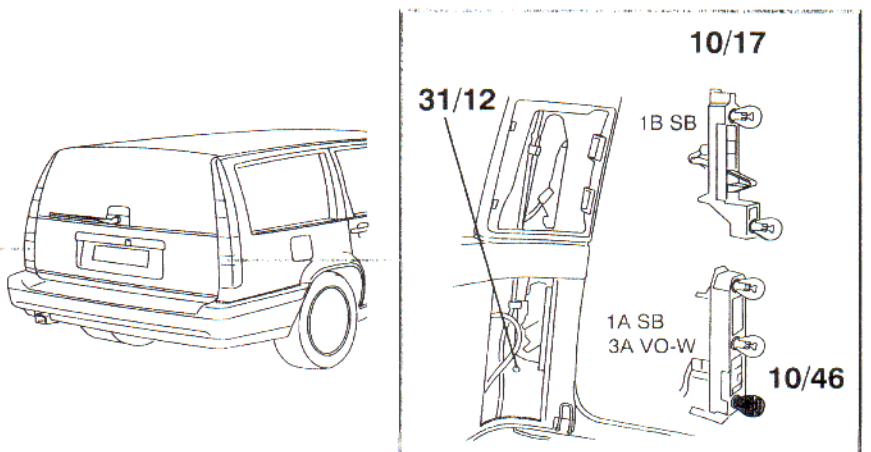
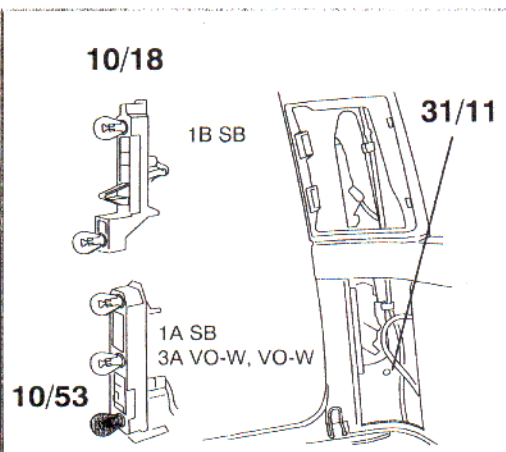
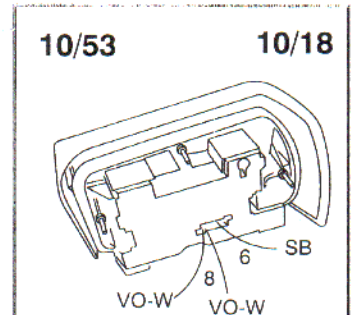
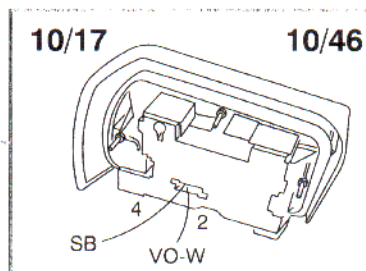
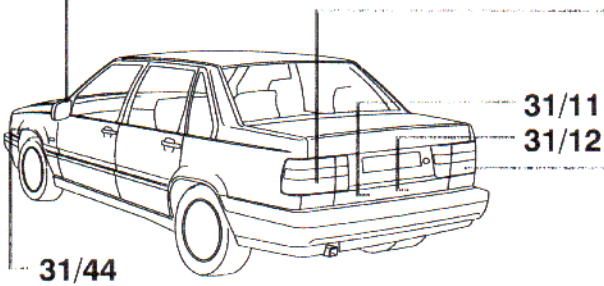
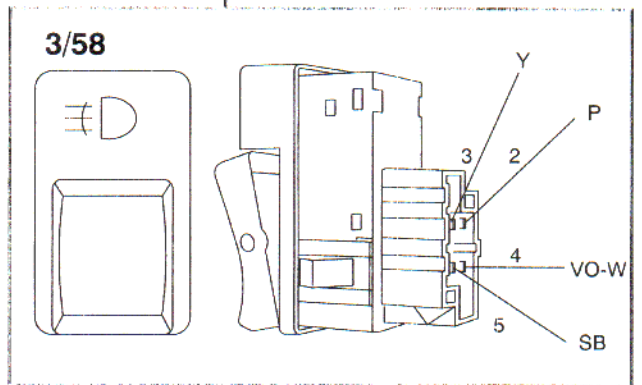
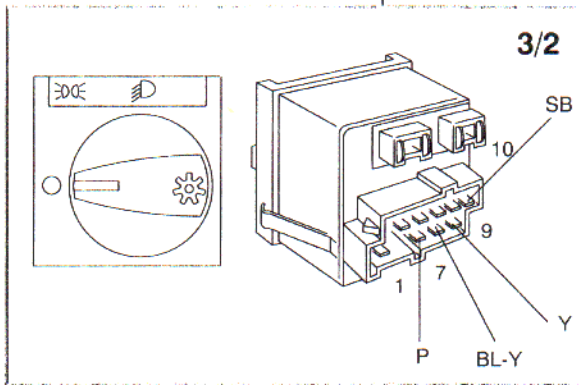
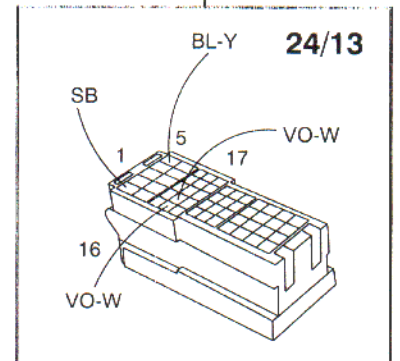
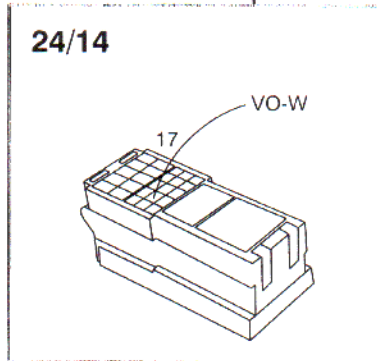
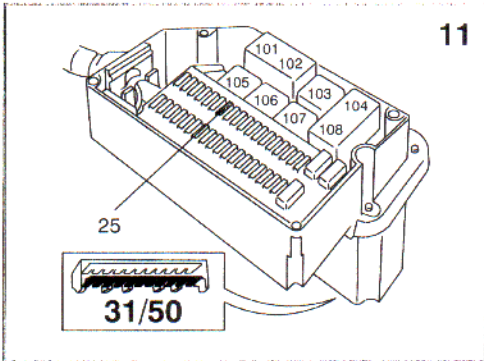
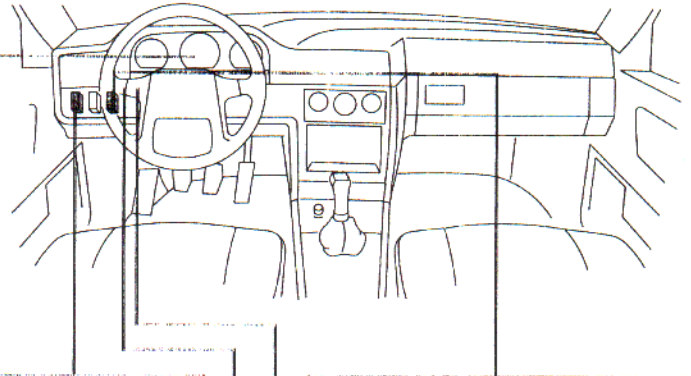
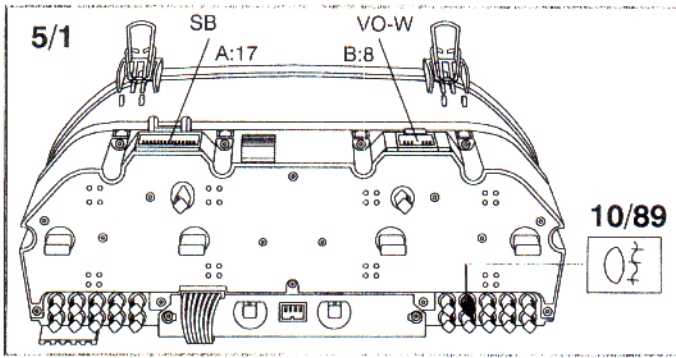


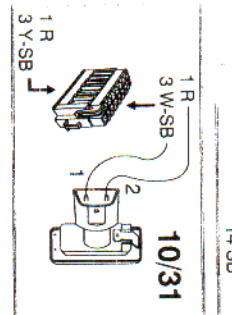
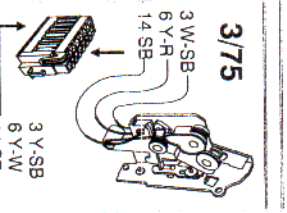
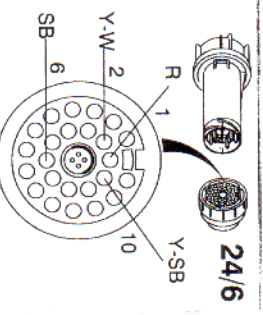
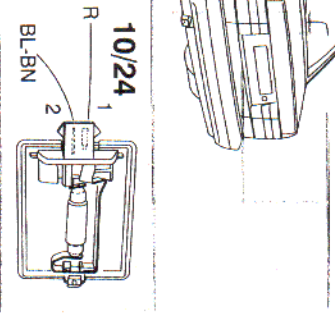
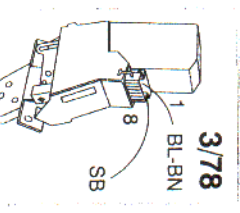
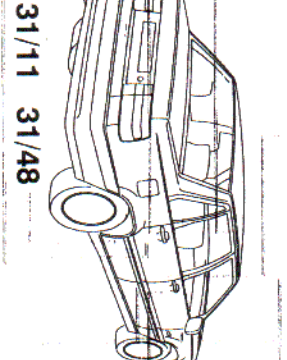
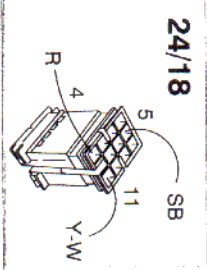
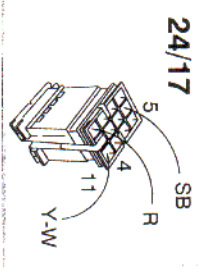
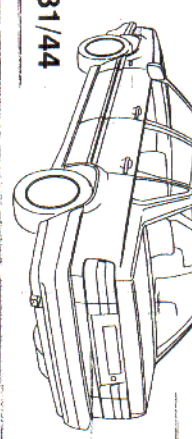
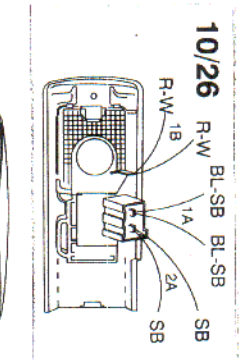
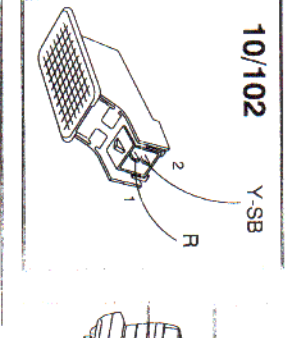
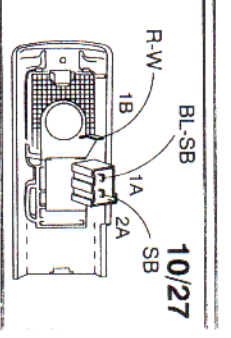
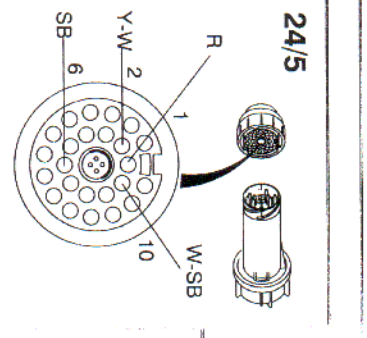
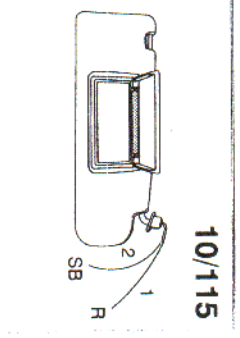
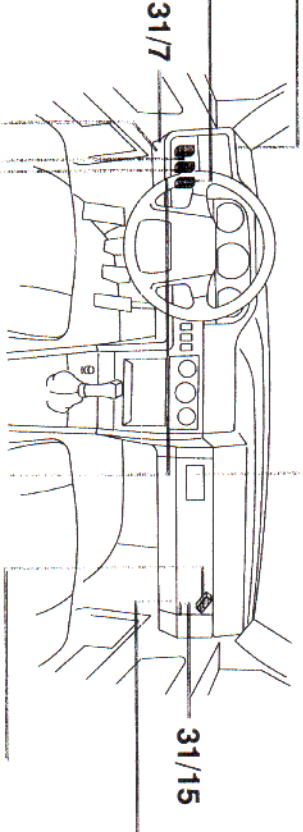
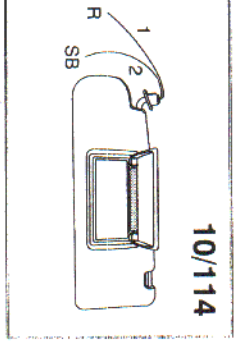
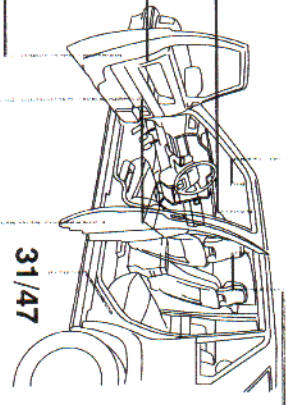
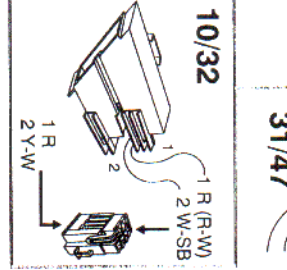
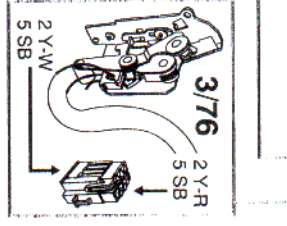
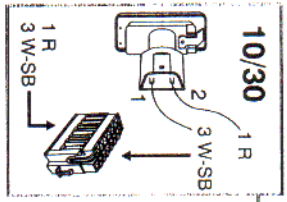
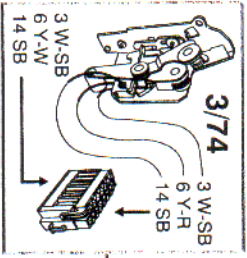
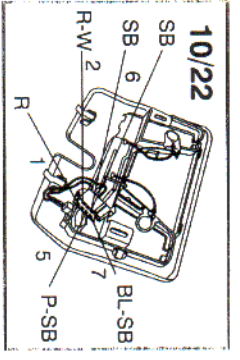
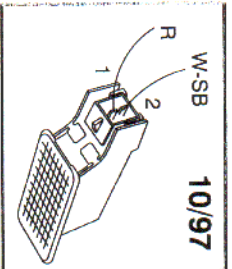
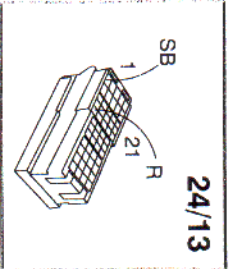
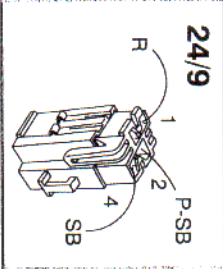
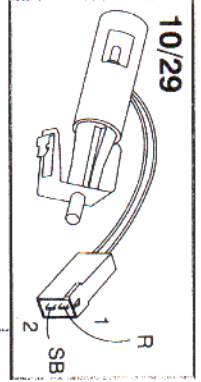
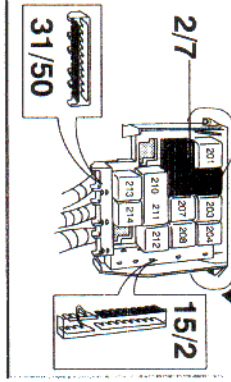
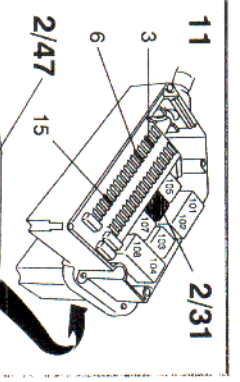
31/44

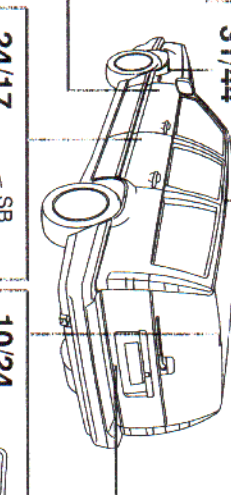
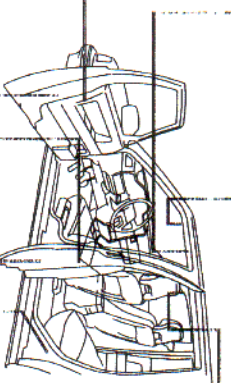
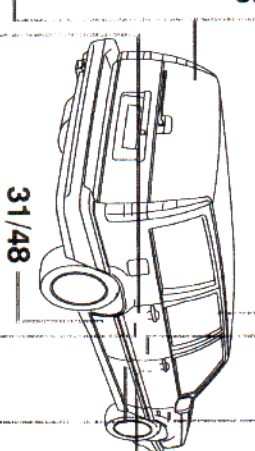
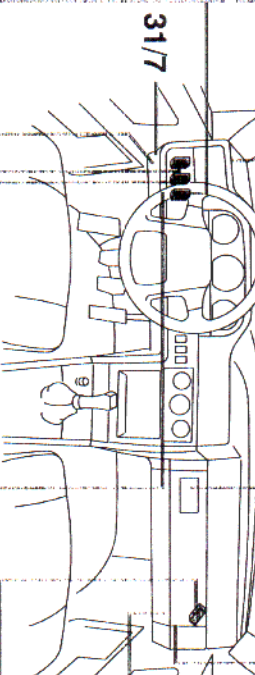
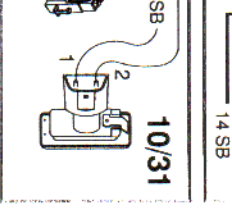
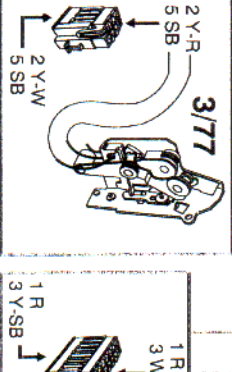
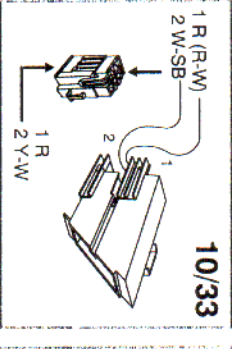
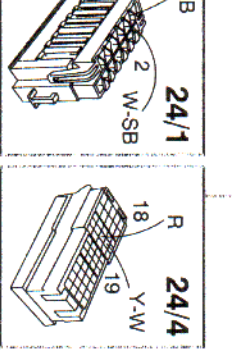
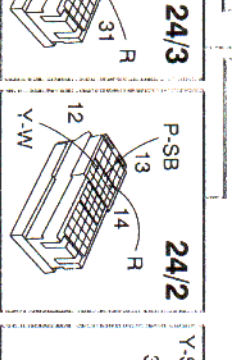
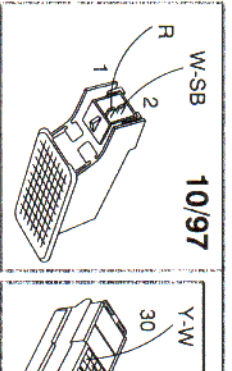
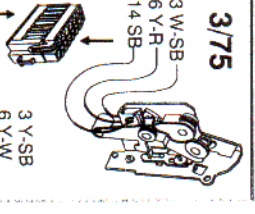
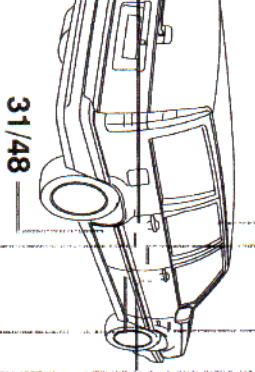
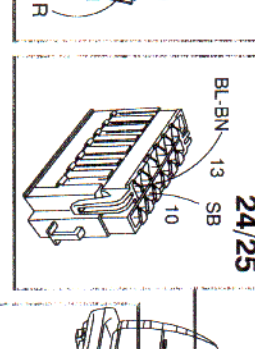
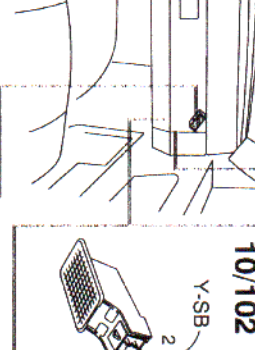
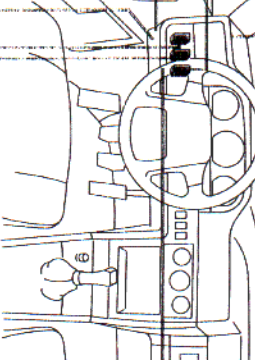
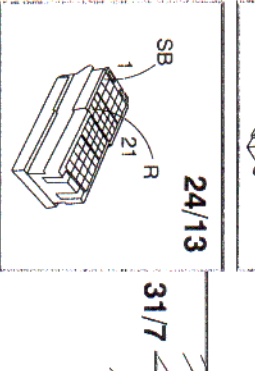
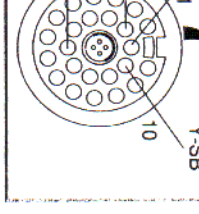
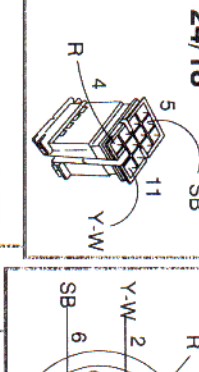
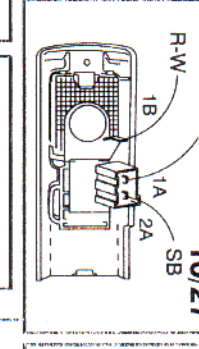
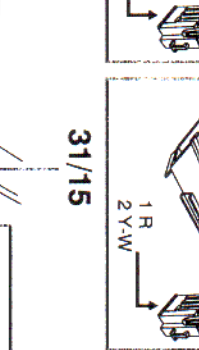
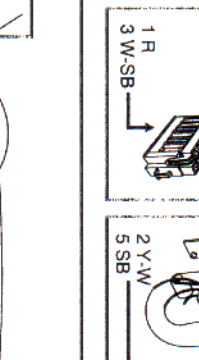
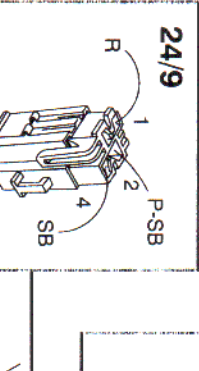
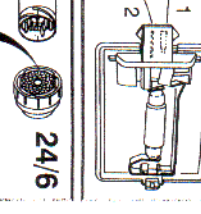
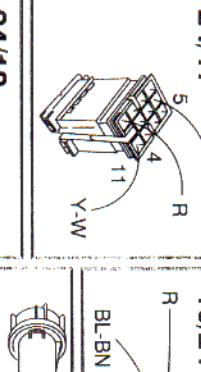
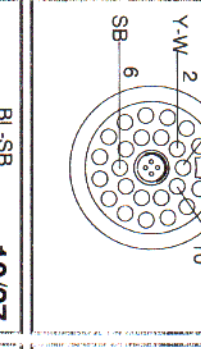
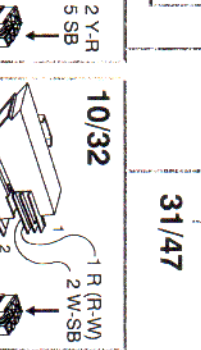
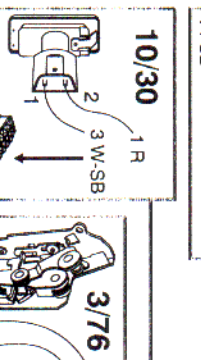
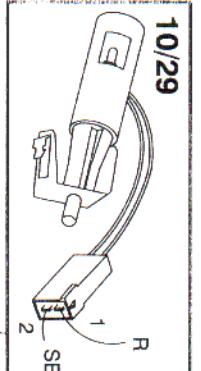
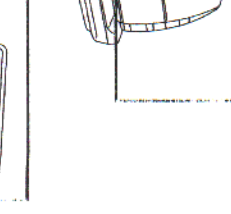
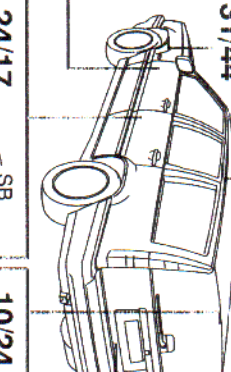
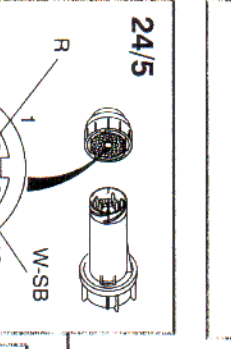
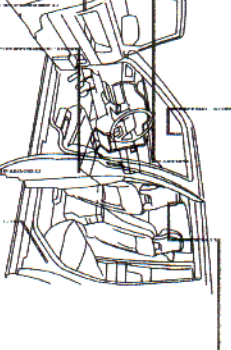
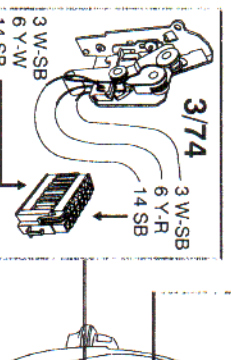
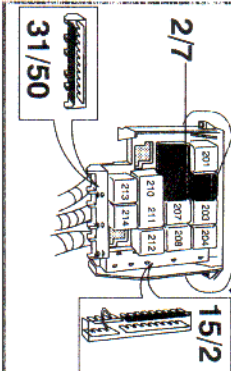
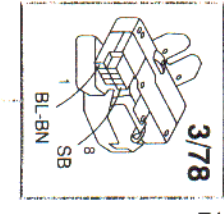
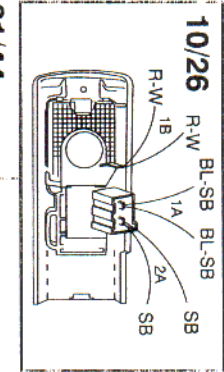
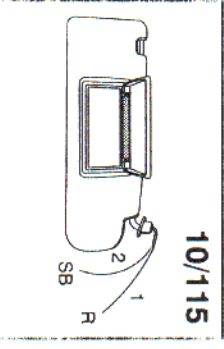
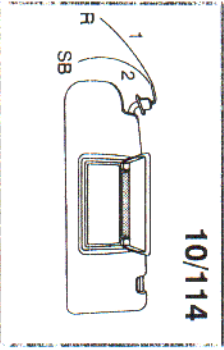
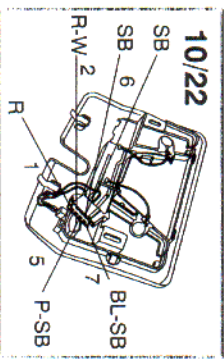
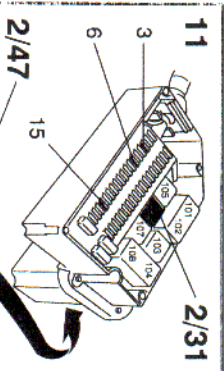


Rear fog lights

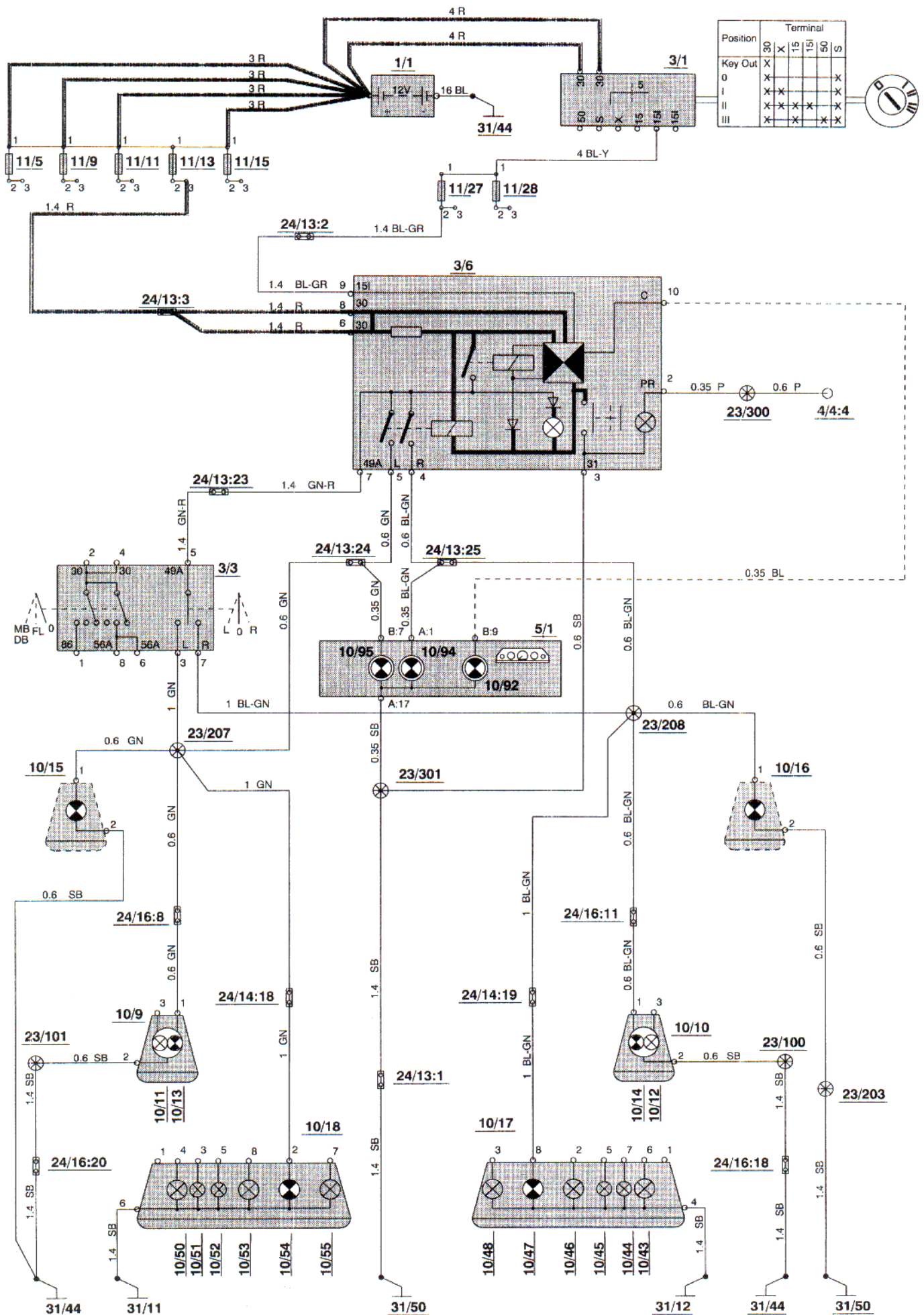


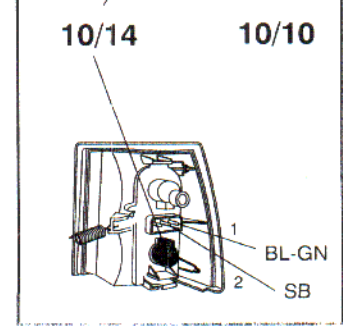
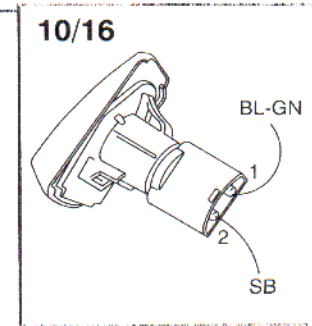
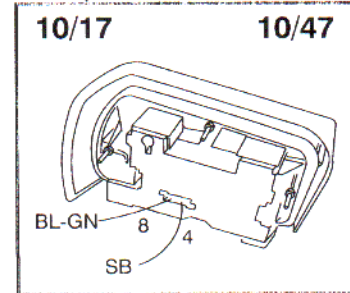
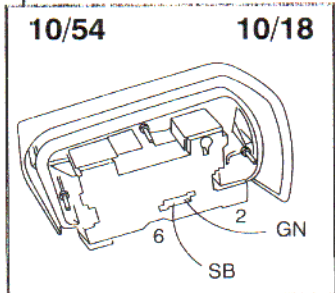
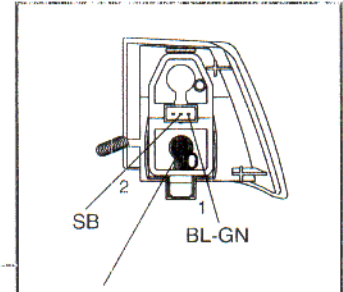
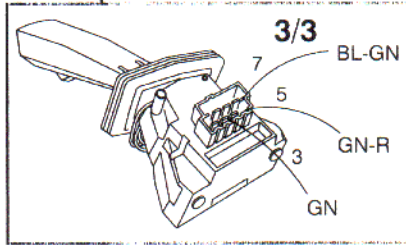
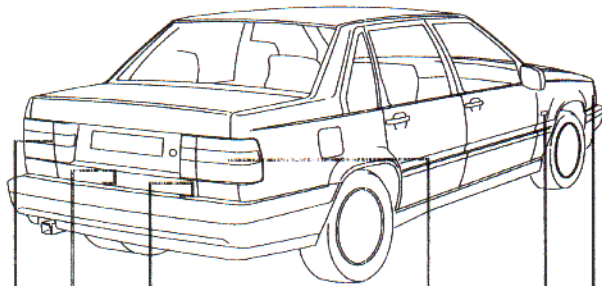
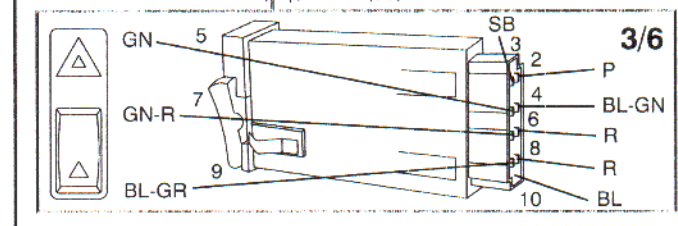
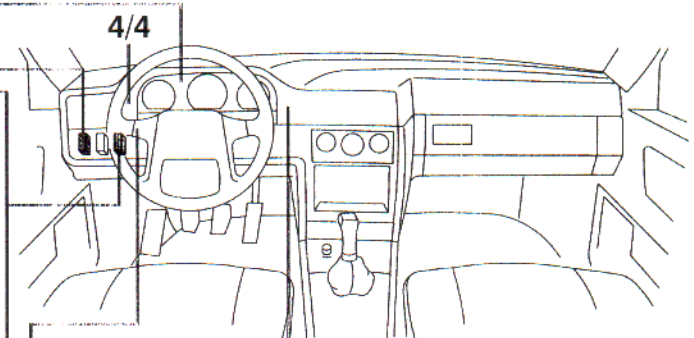
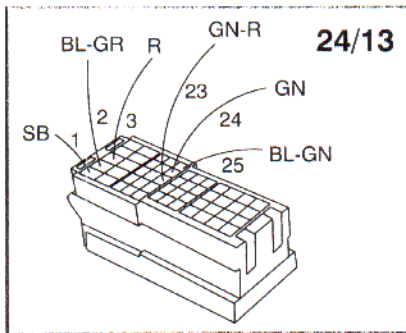
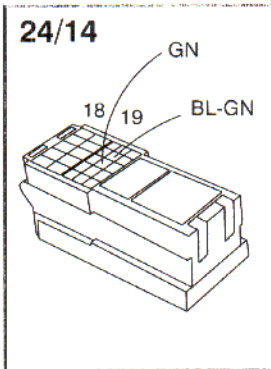
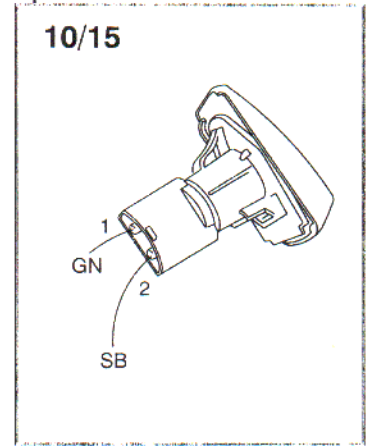
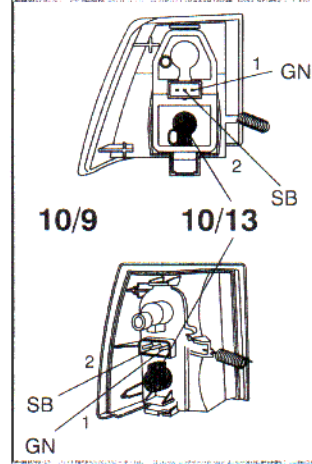
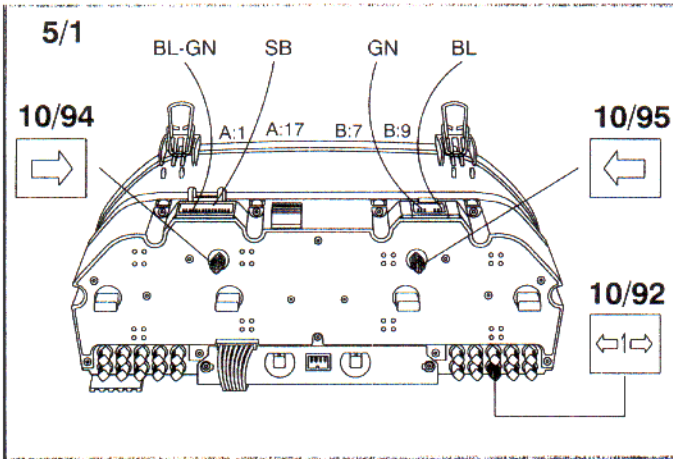
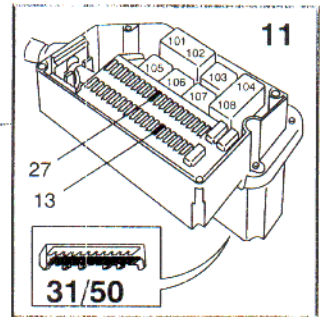
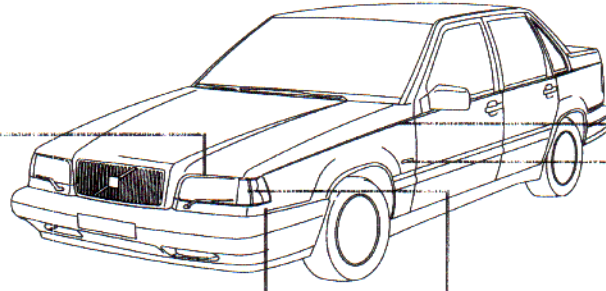
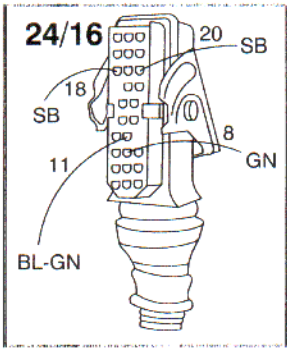




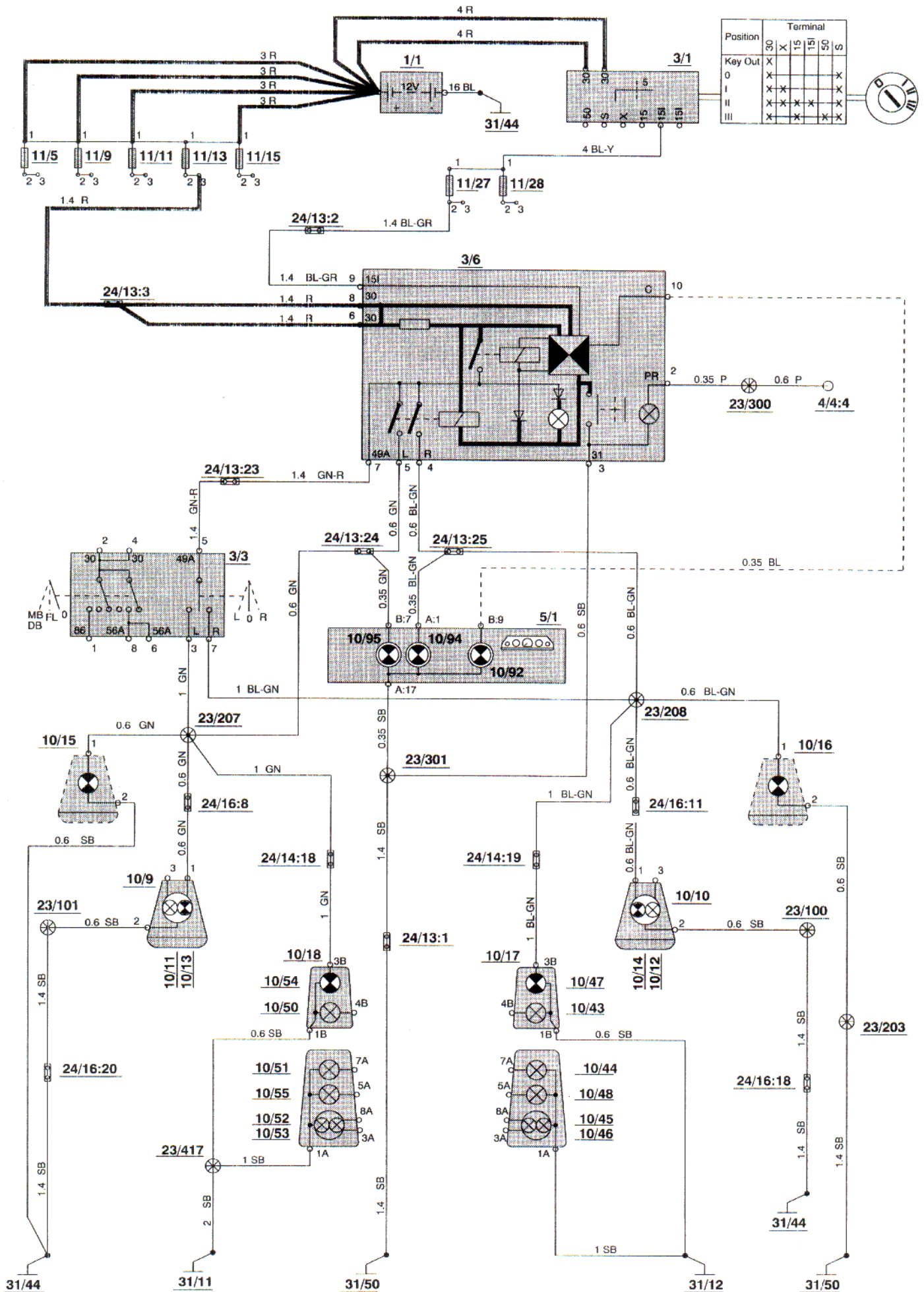


Turn signal / hazard lights, 4-door



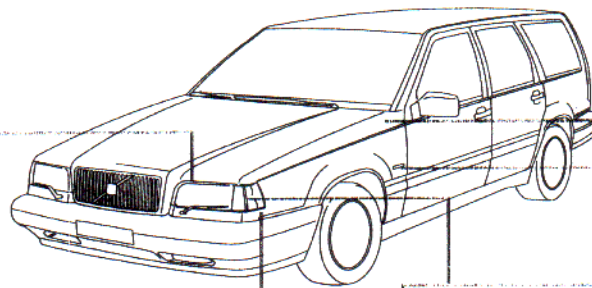
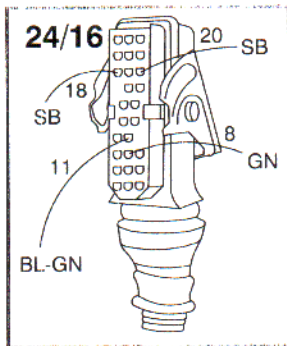


Turn signal / hazard lights, 5-door

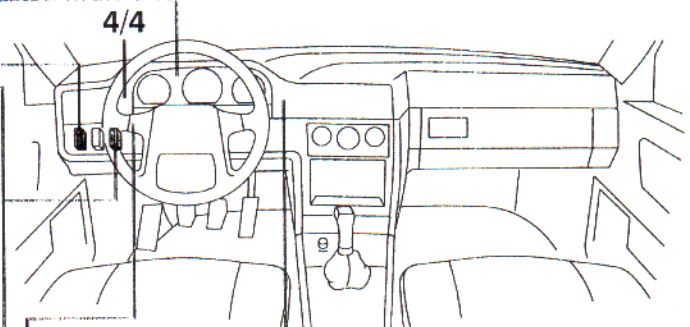
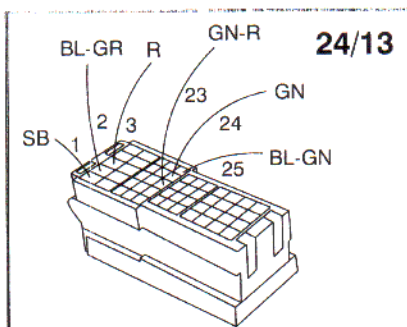
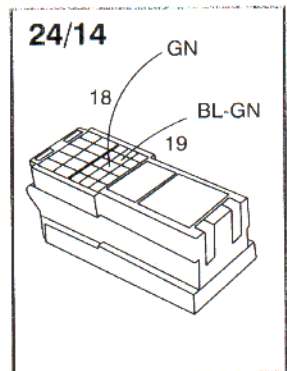
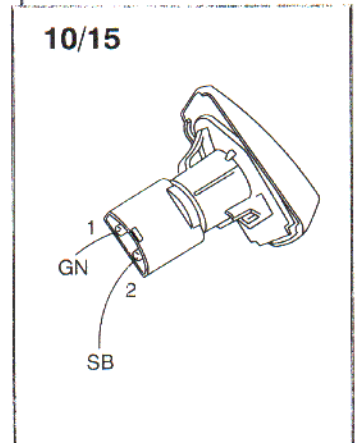
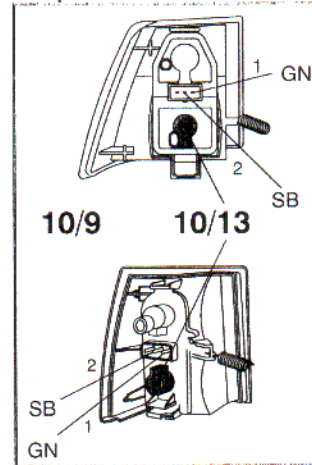
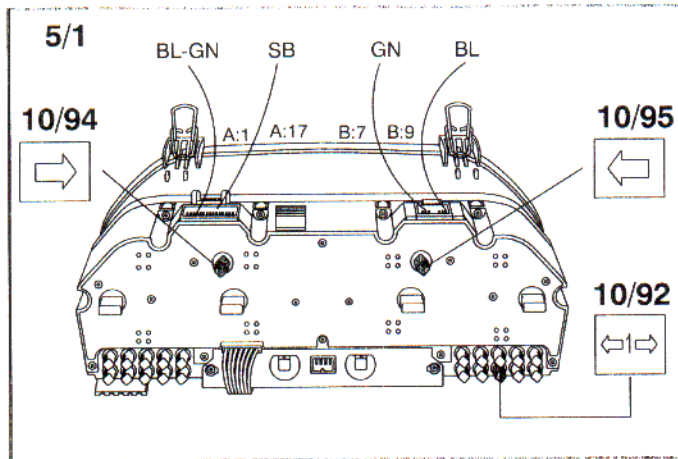
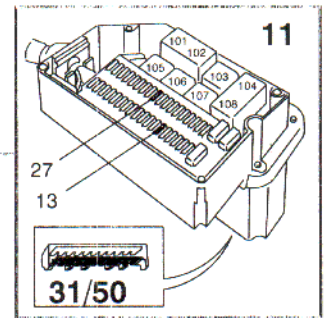


Position	Terminal
Key Out	30
0	X
I	X
II	X
III	X

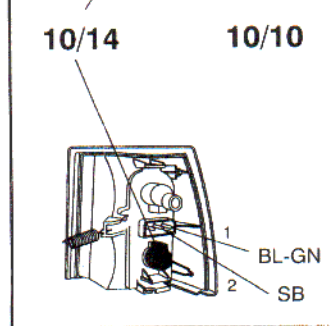
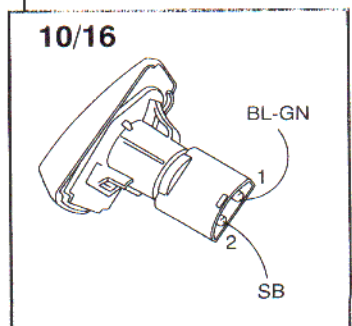
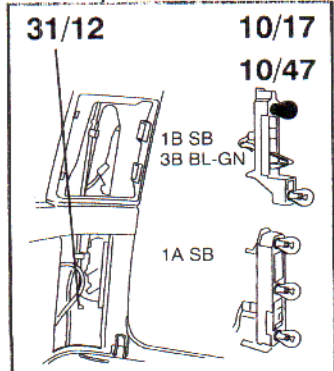
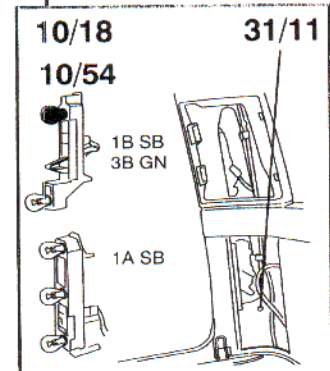
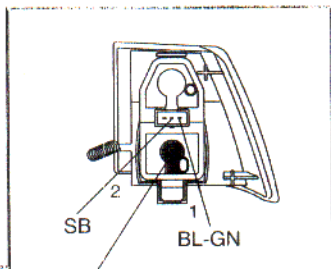
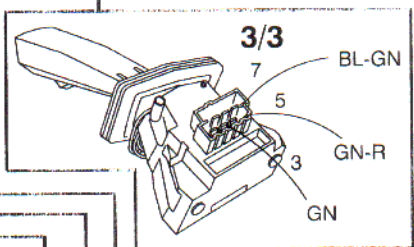
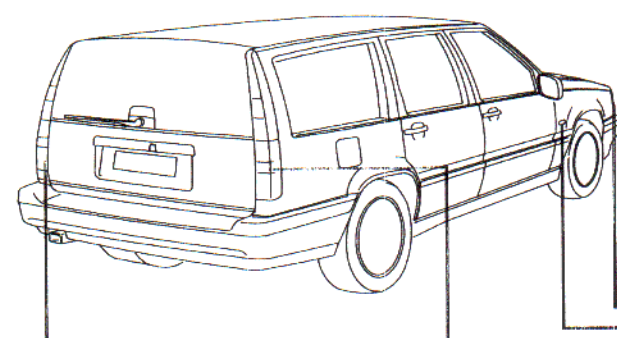
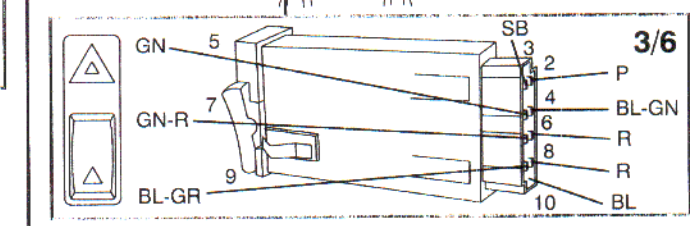




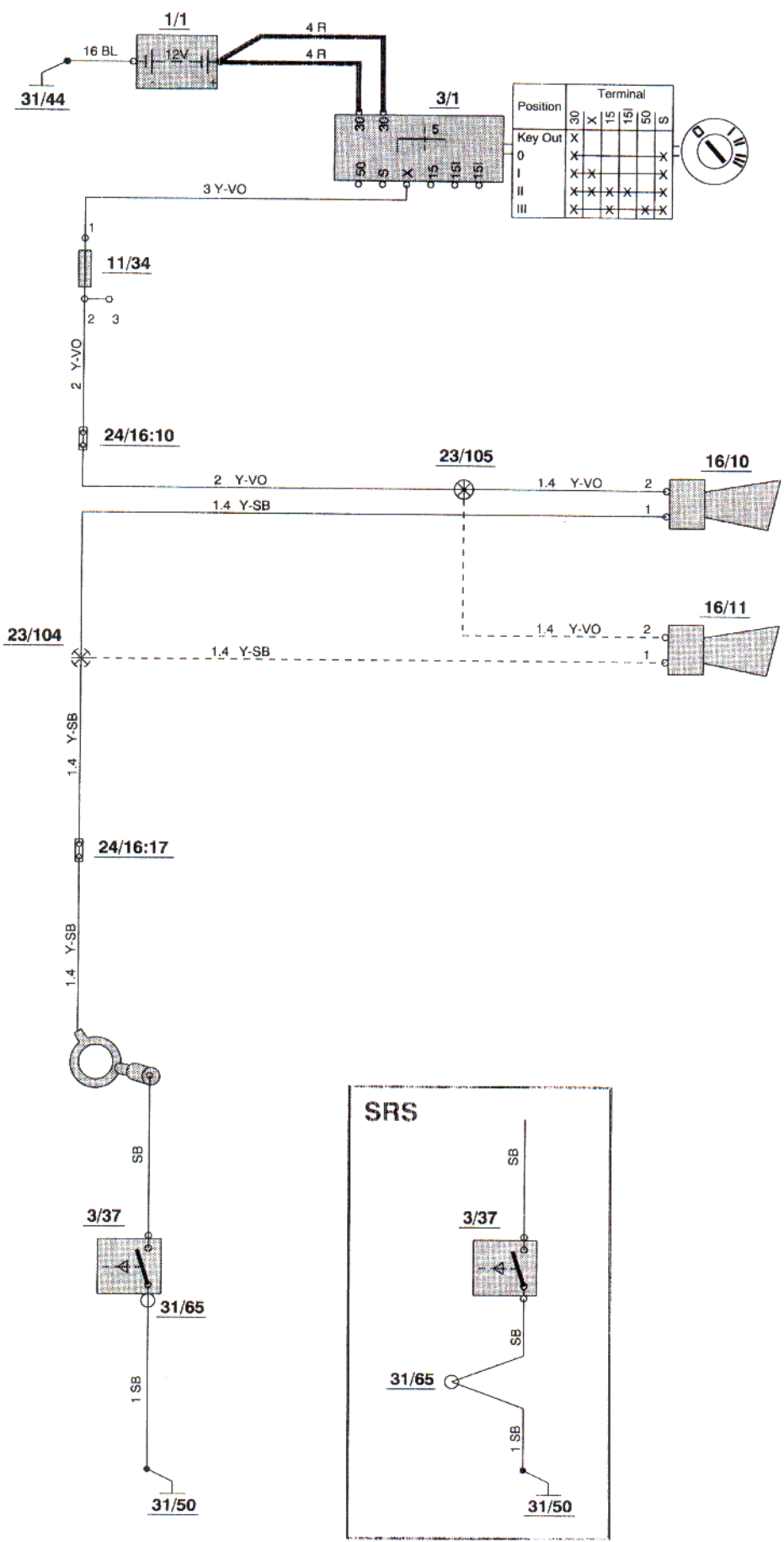
31/44

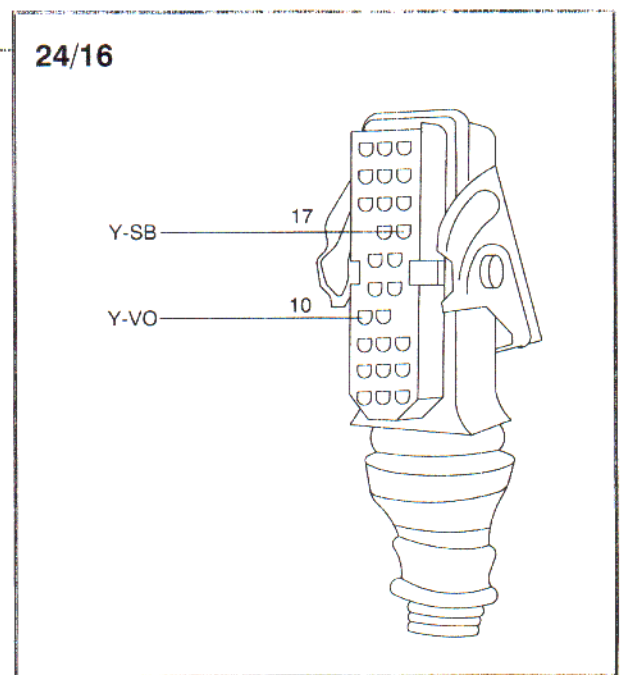
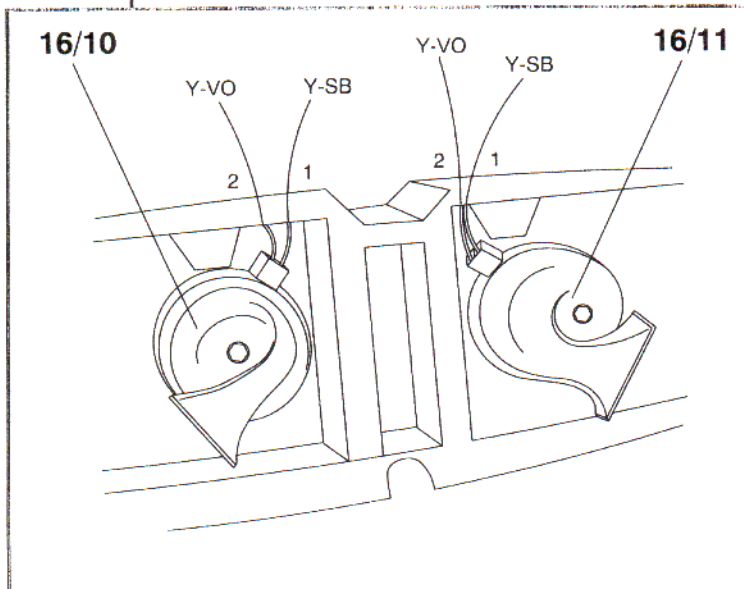
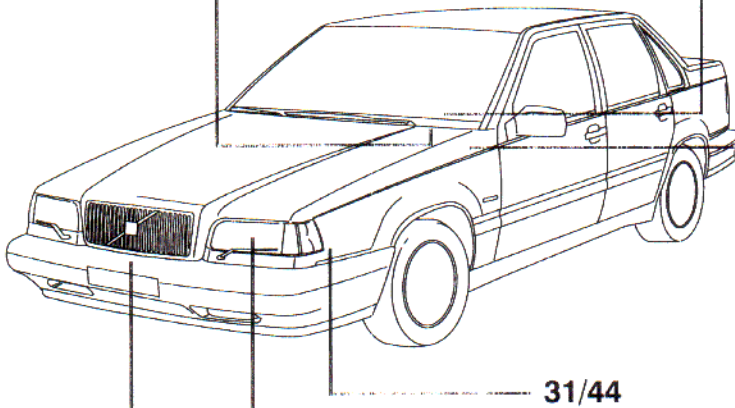
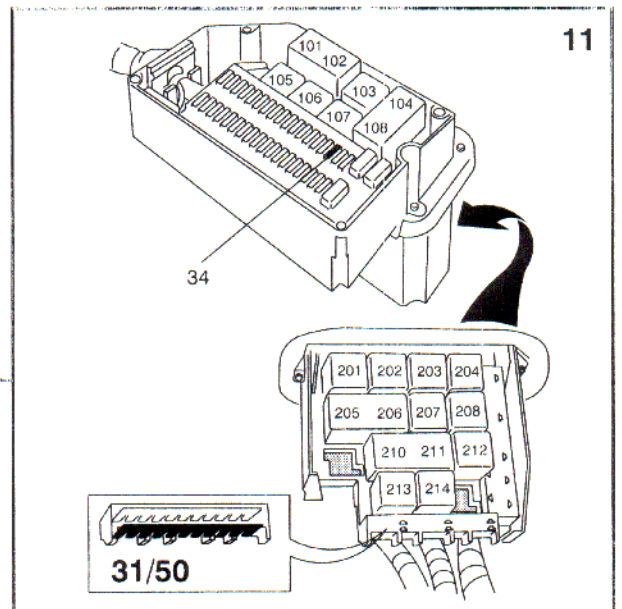
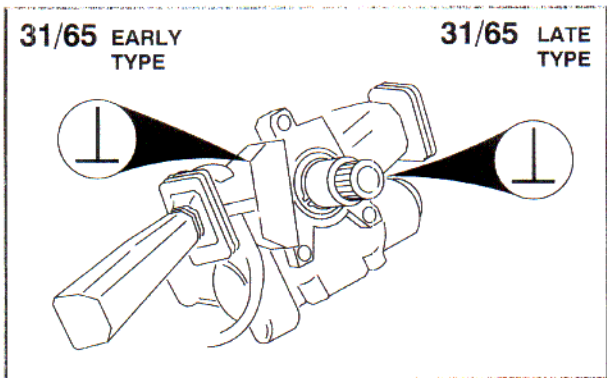
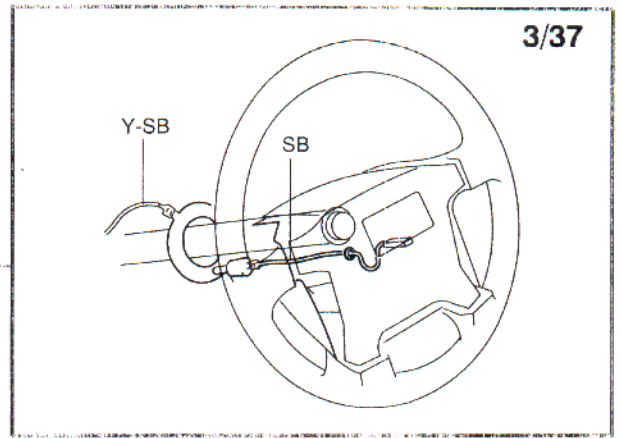
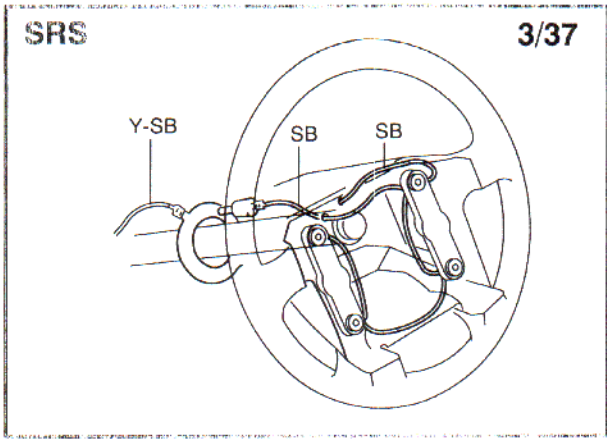


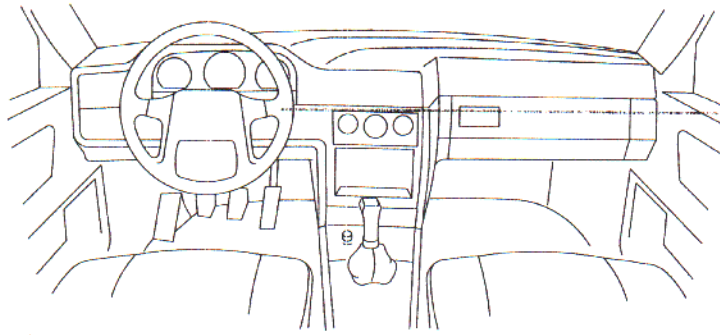
4/4



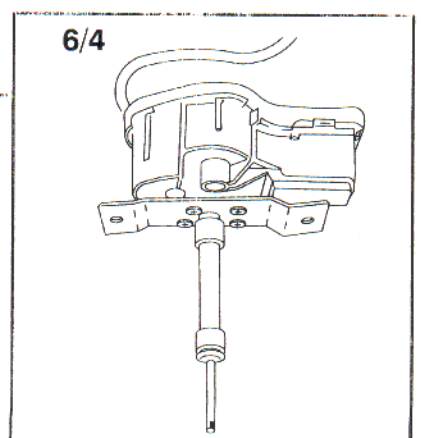
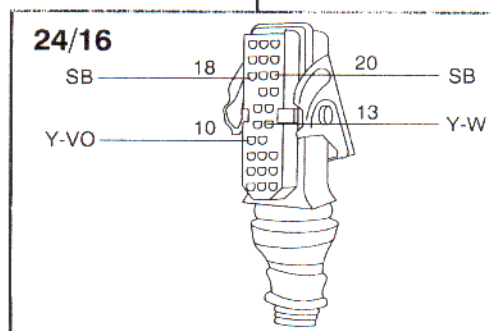
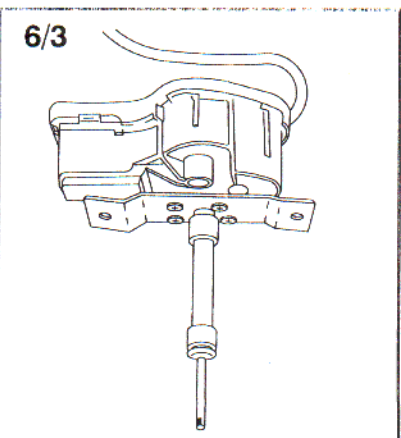
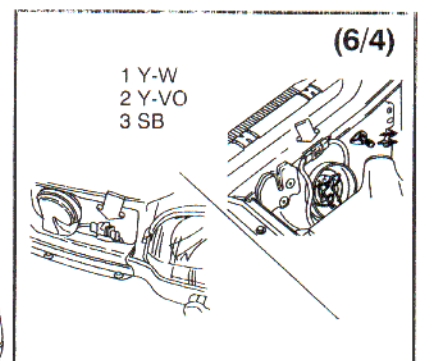
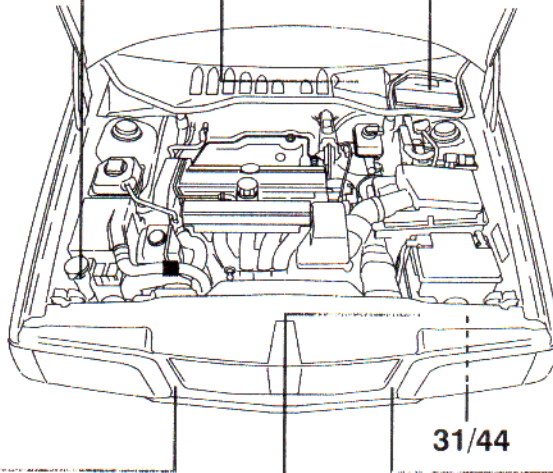
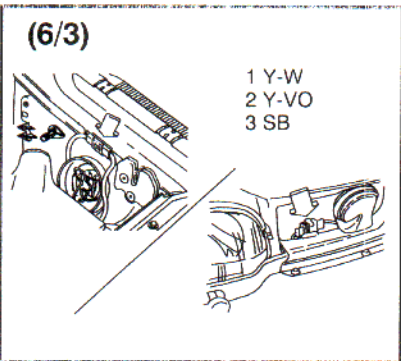
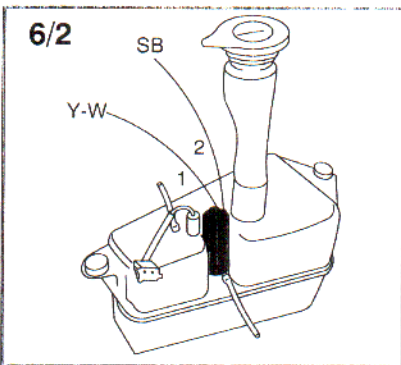
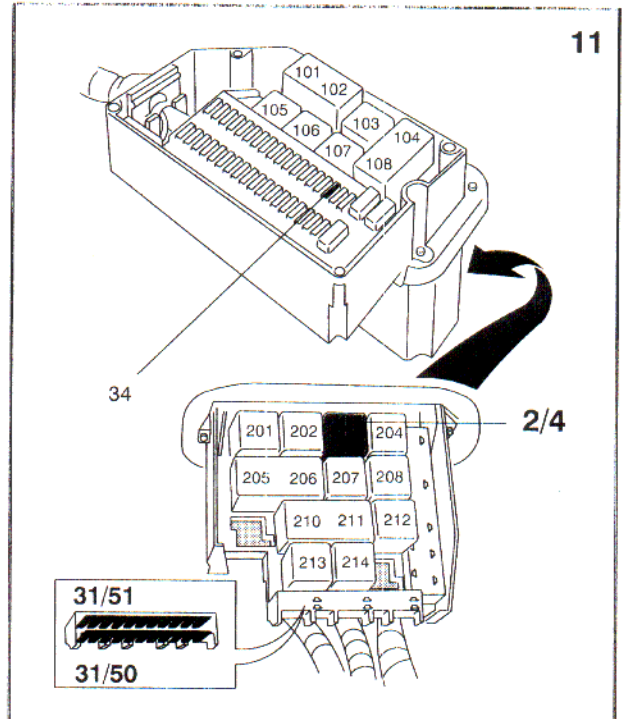
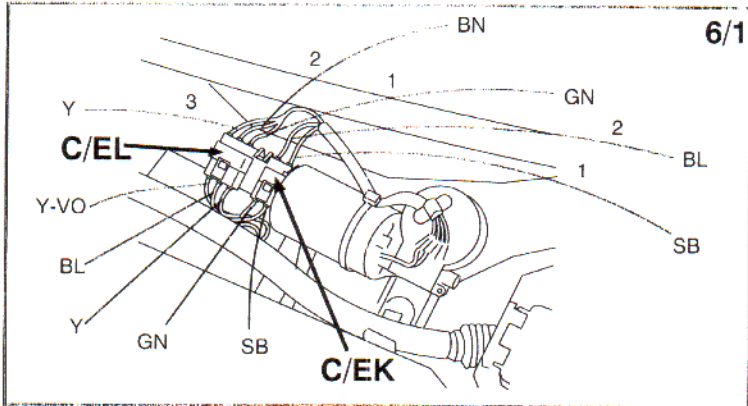
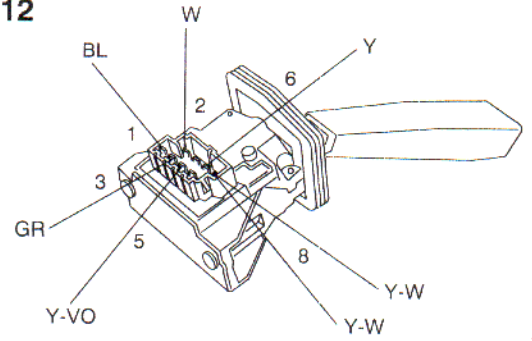
Horn



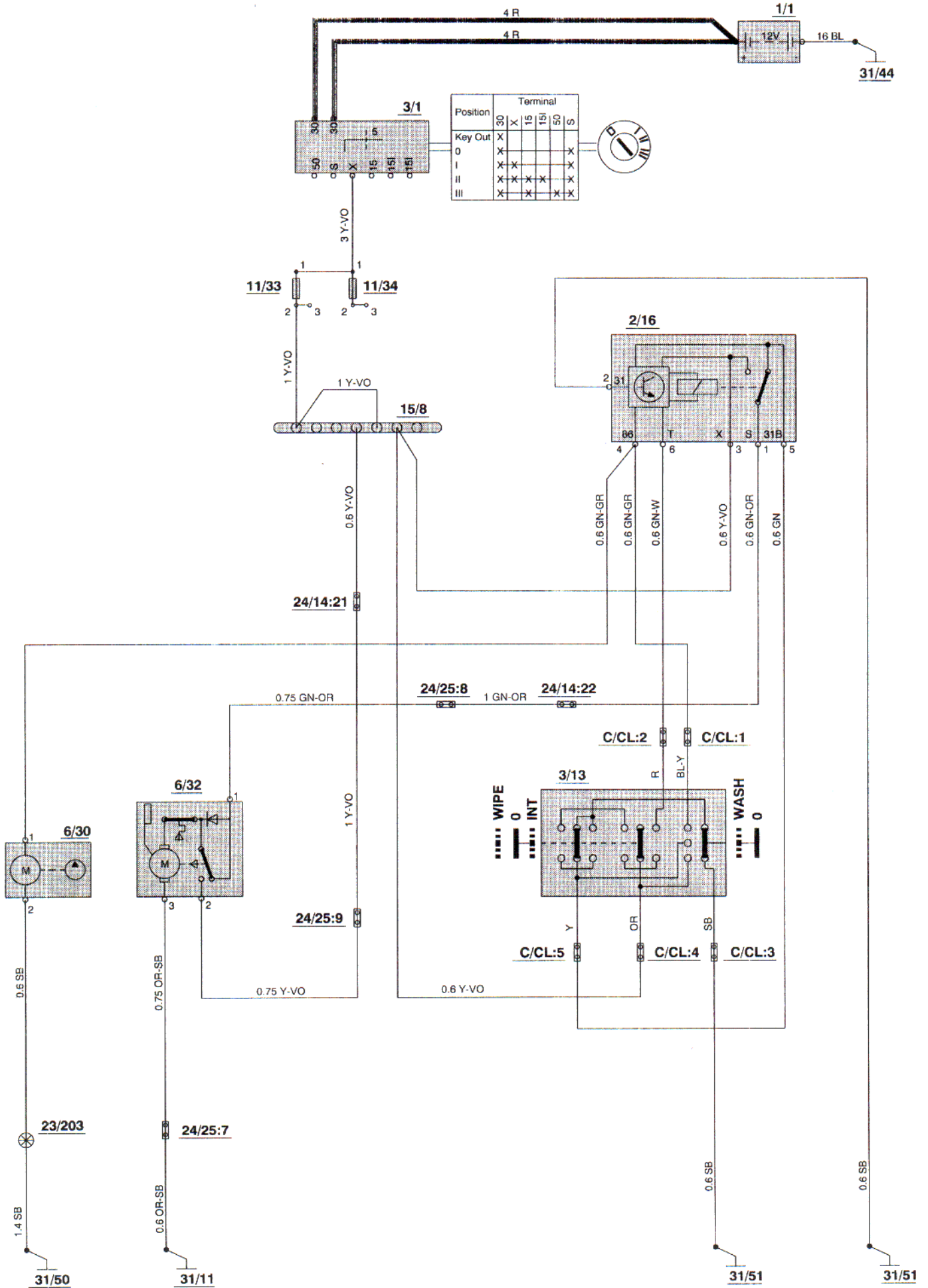


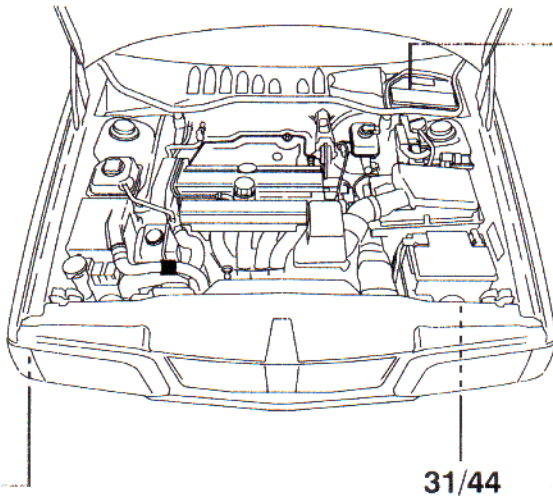
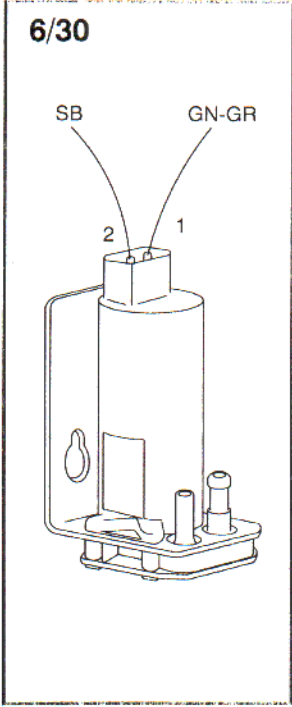


3/12

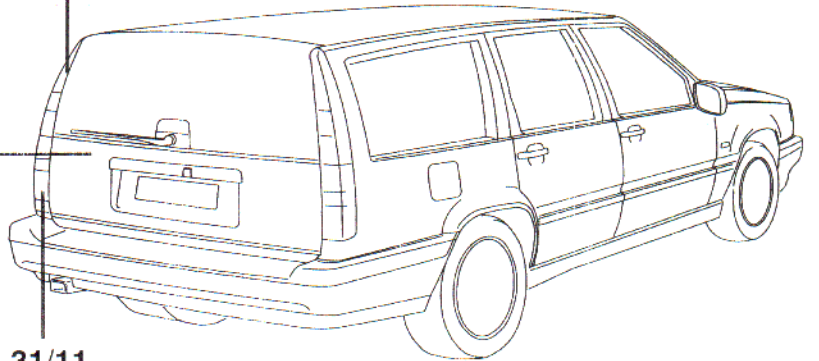
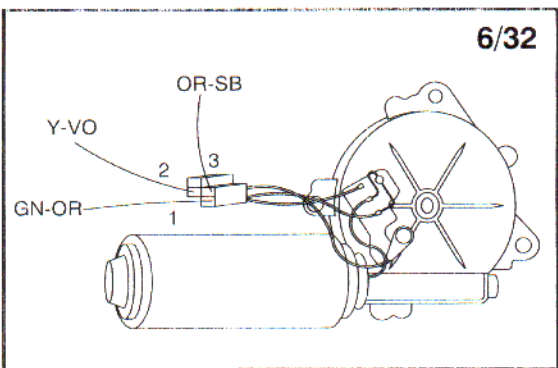
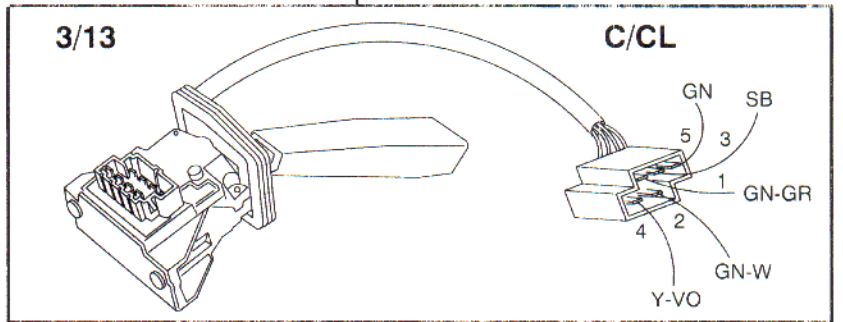
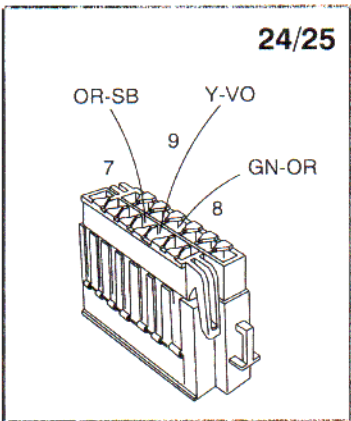
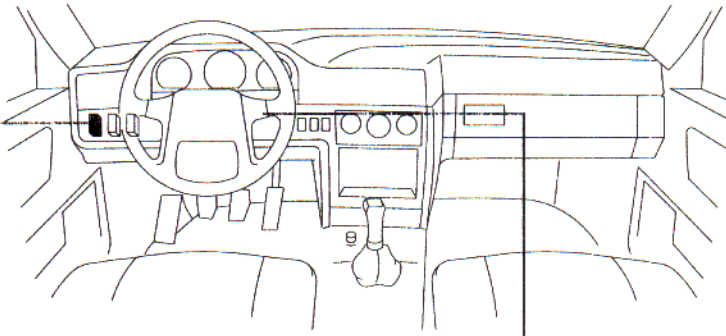
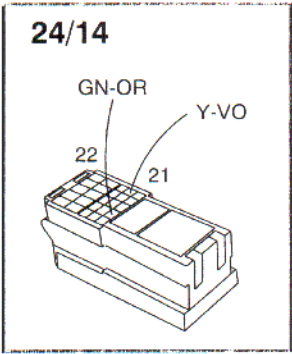
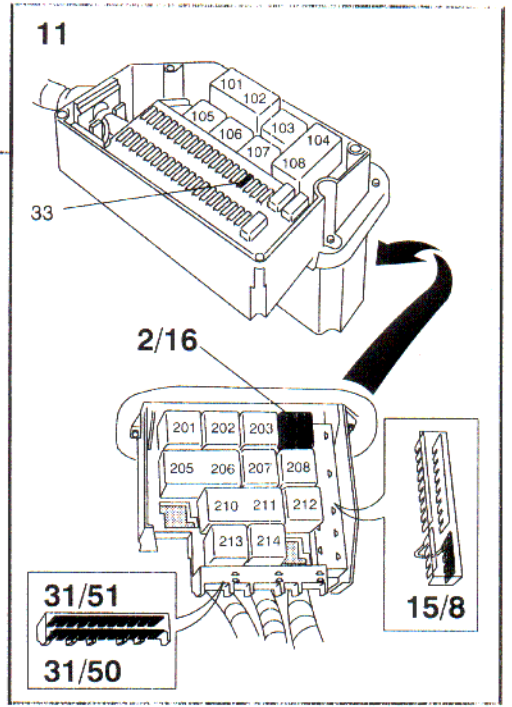


Tailgate wash/wipe

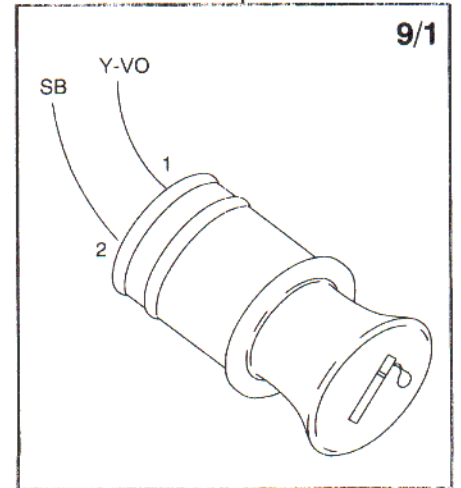
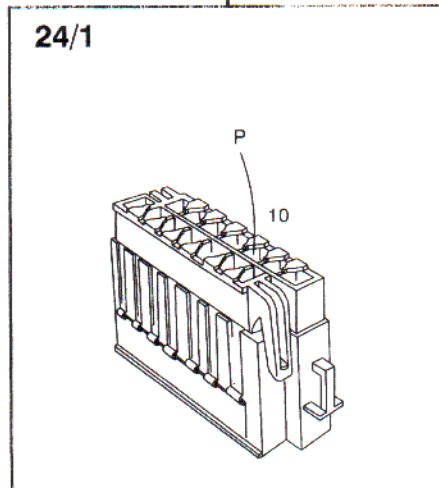
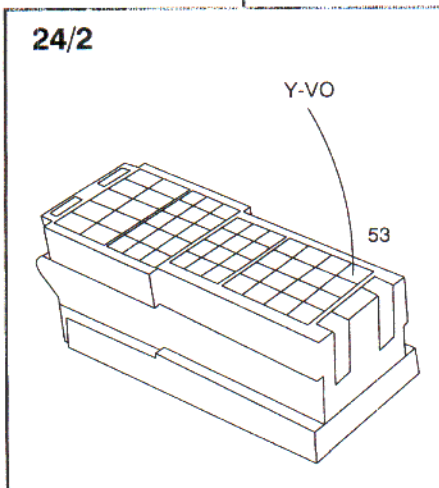
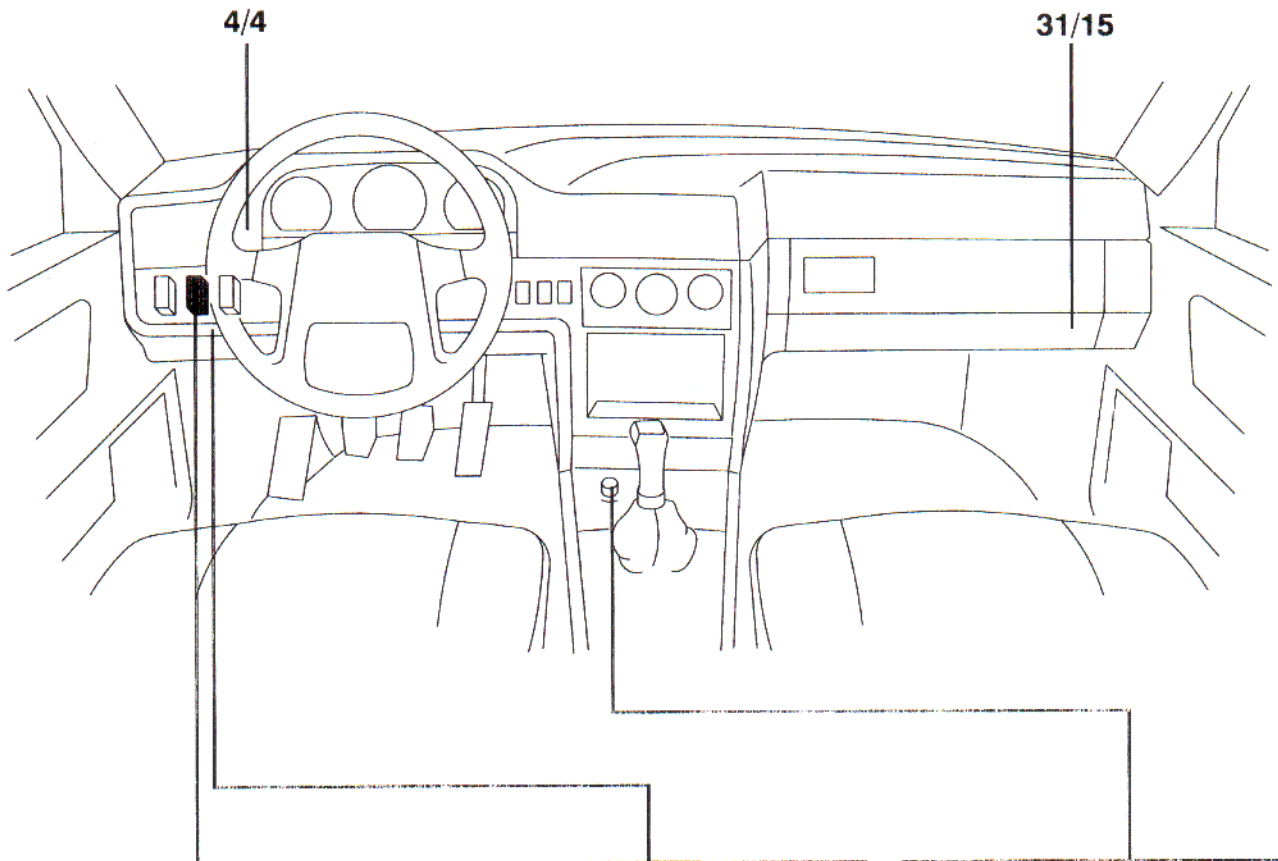
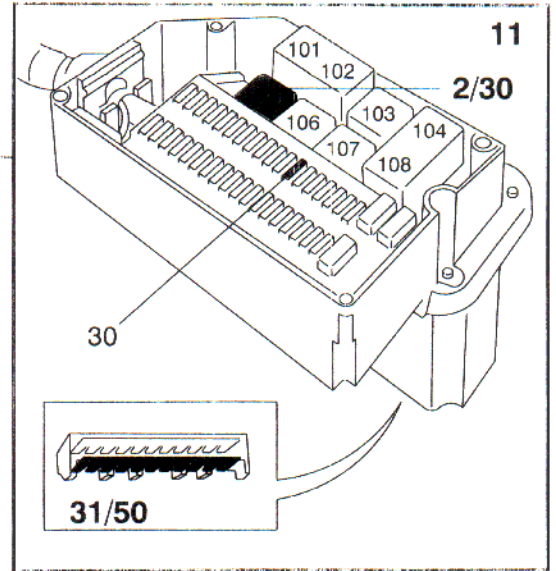
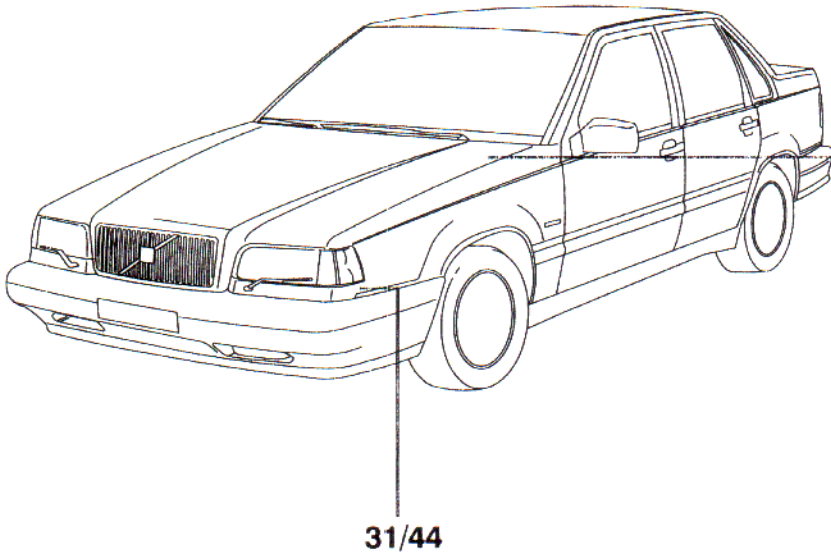




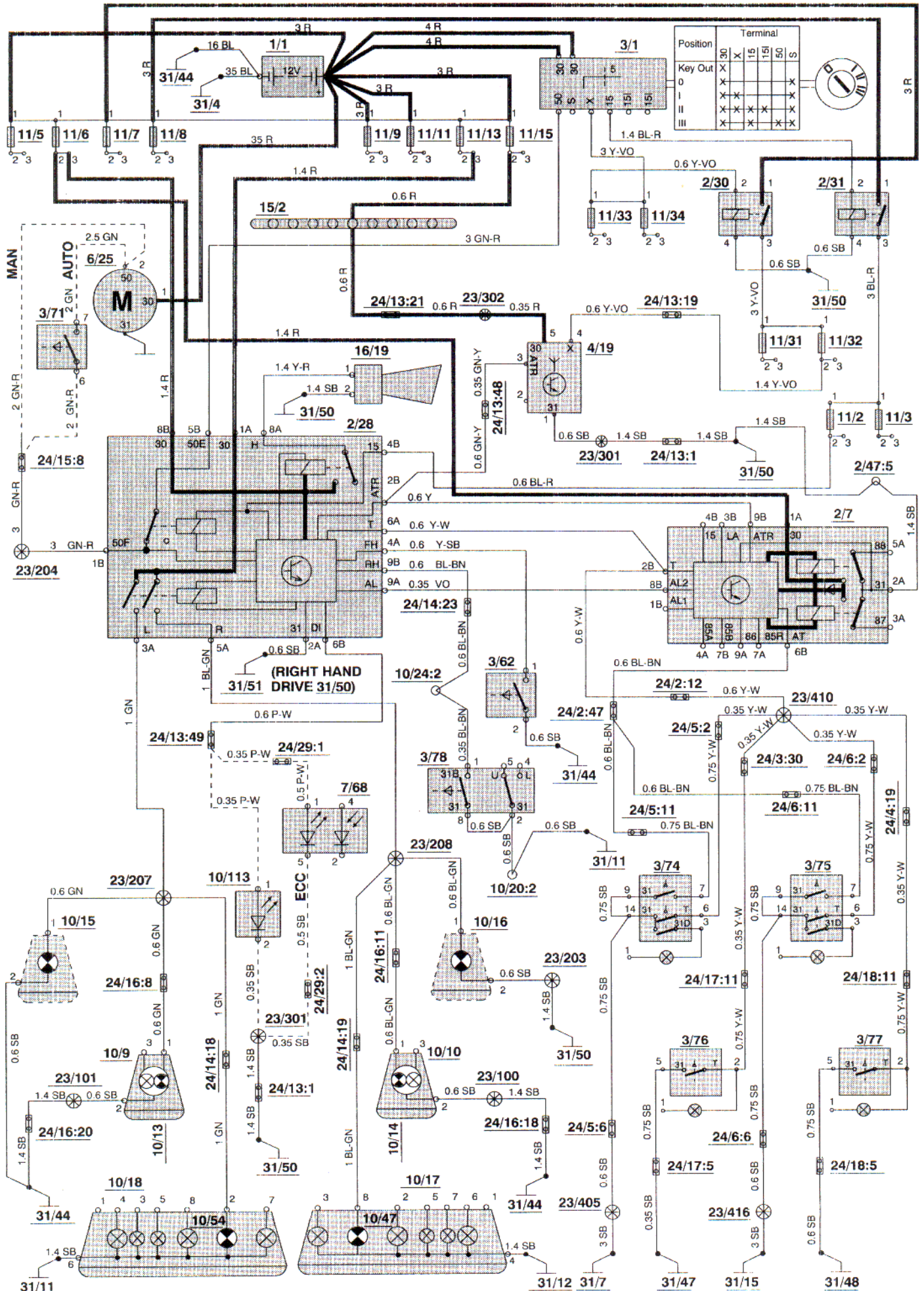
31/44

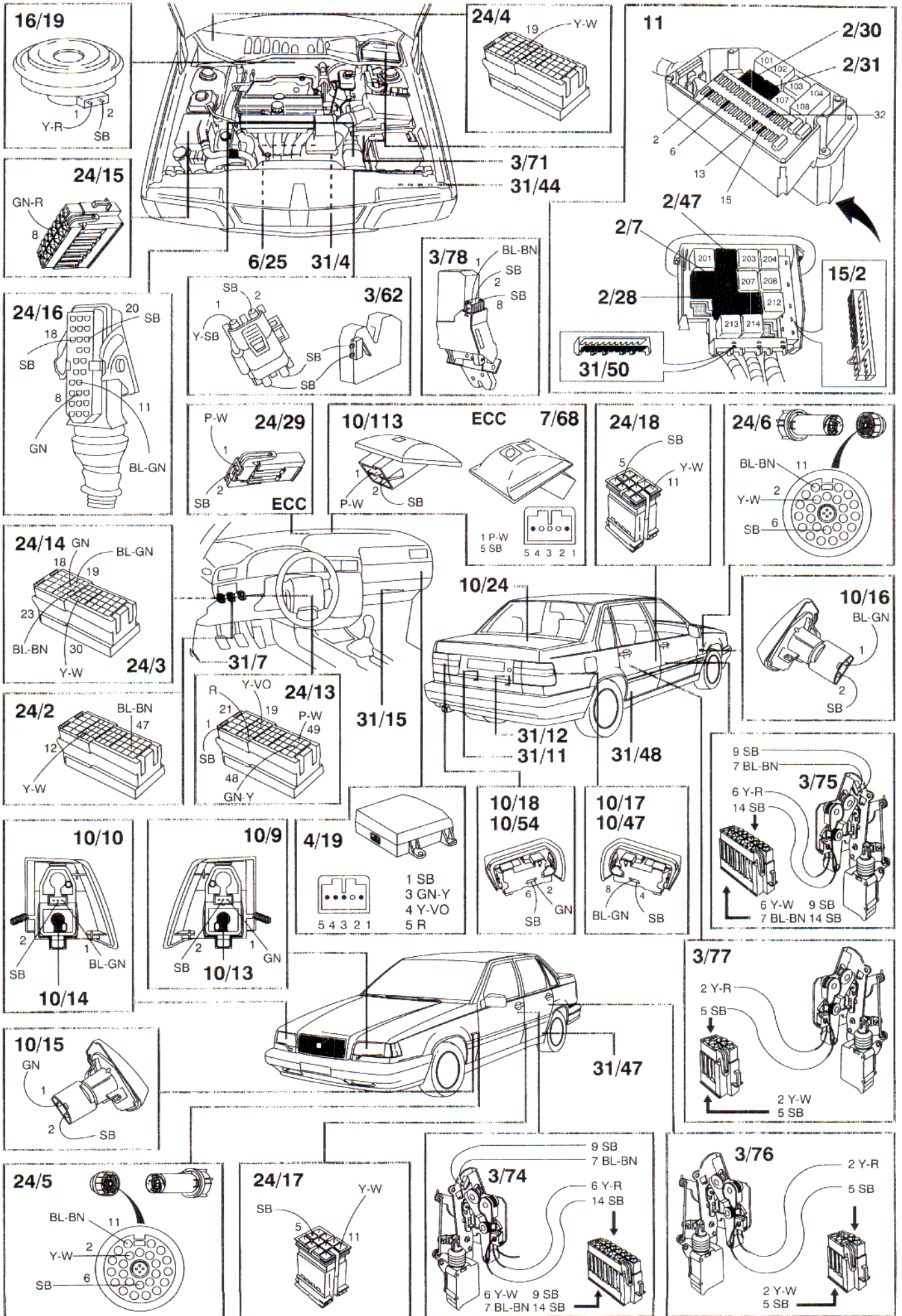


31/11

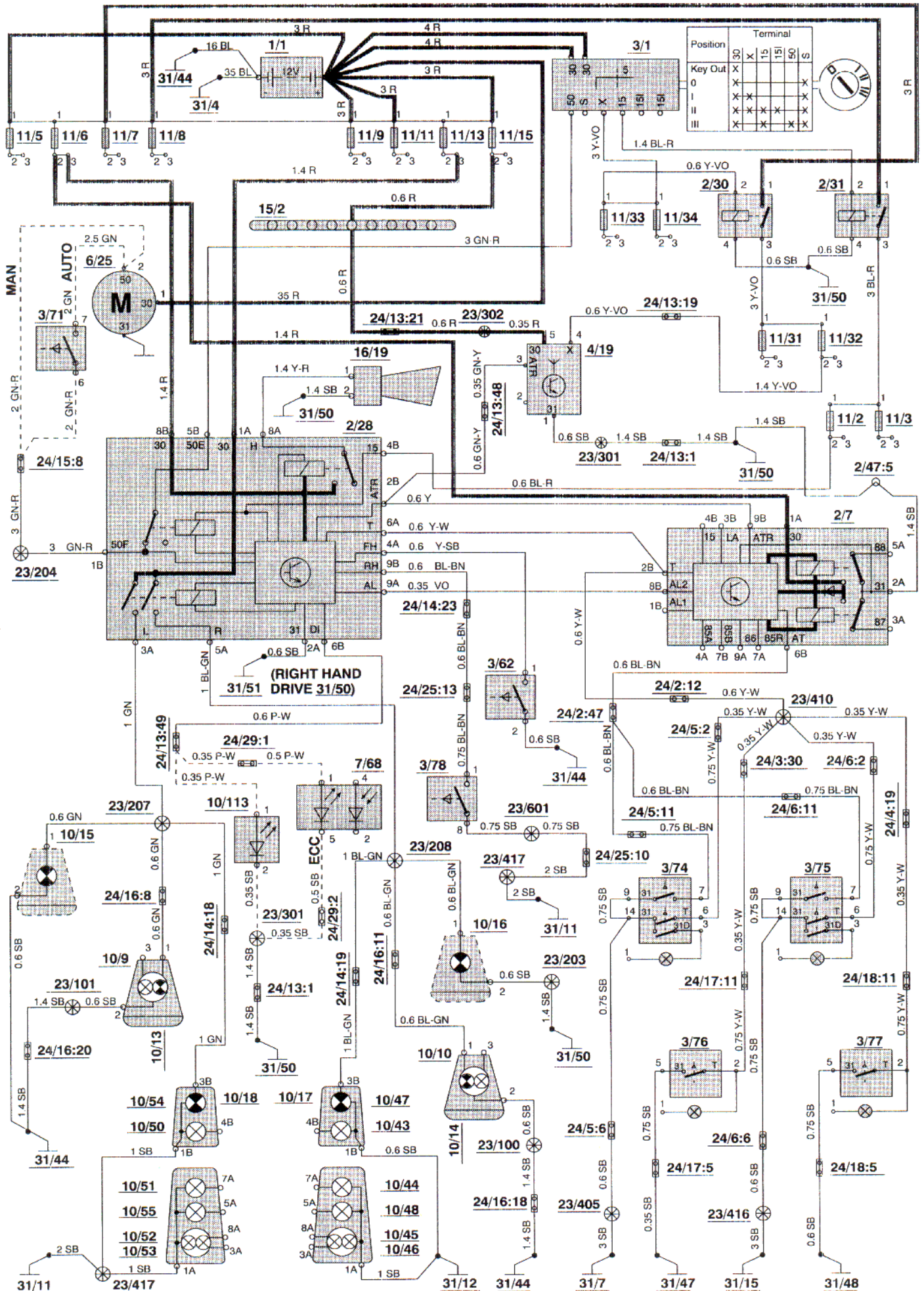


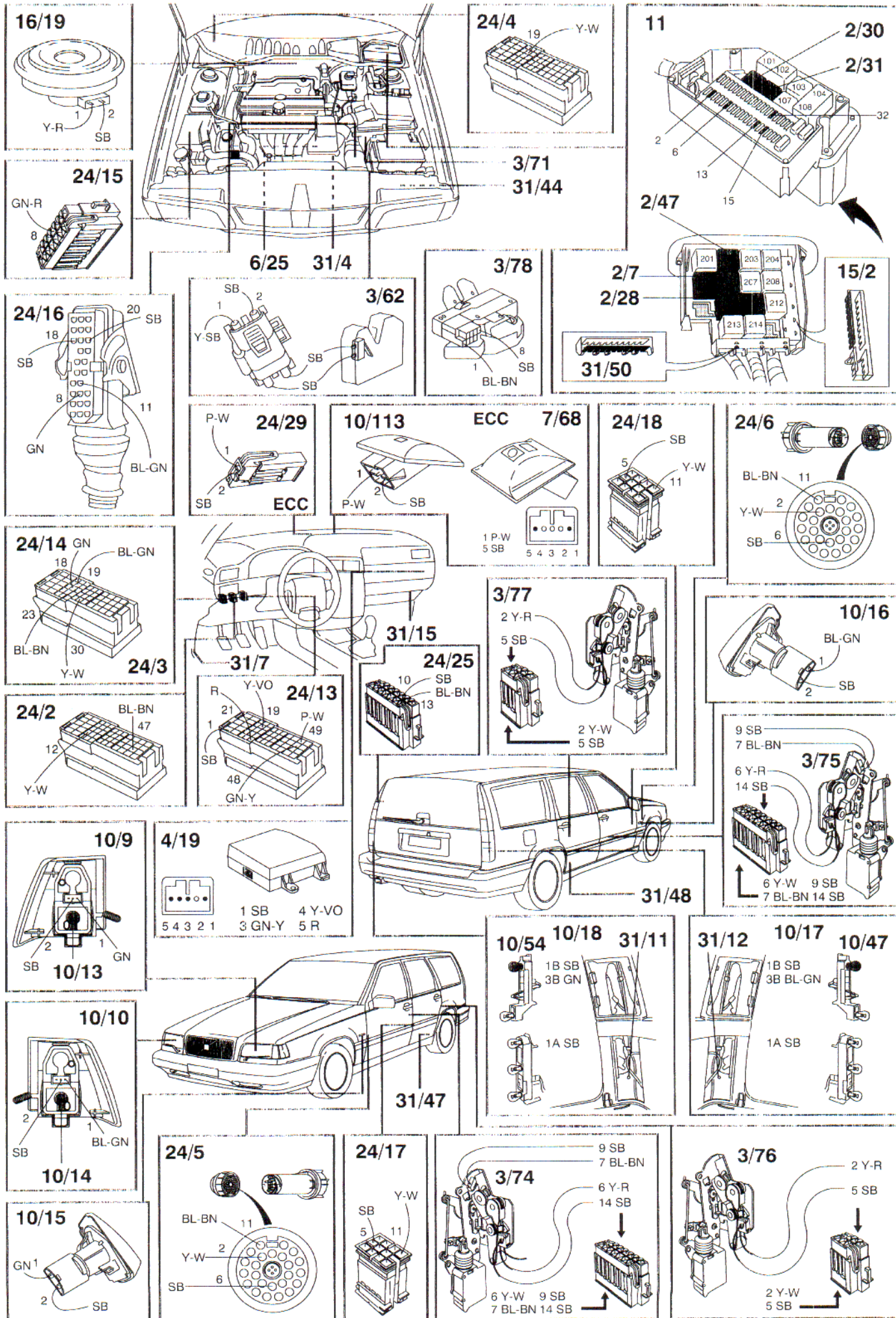
Anti-theft alarm, 4-door



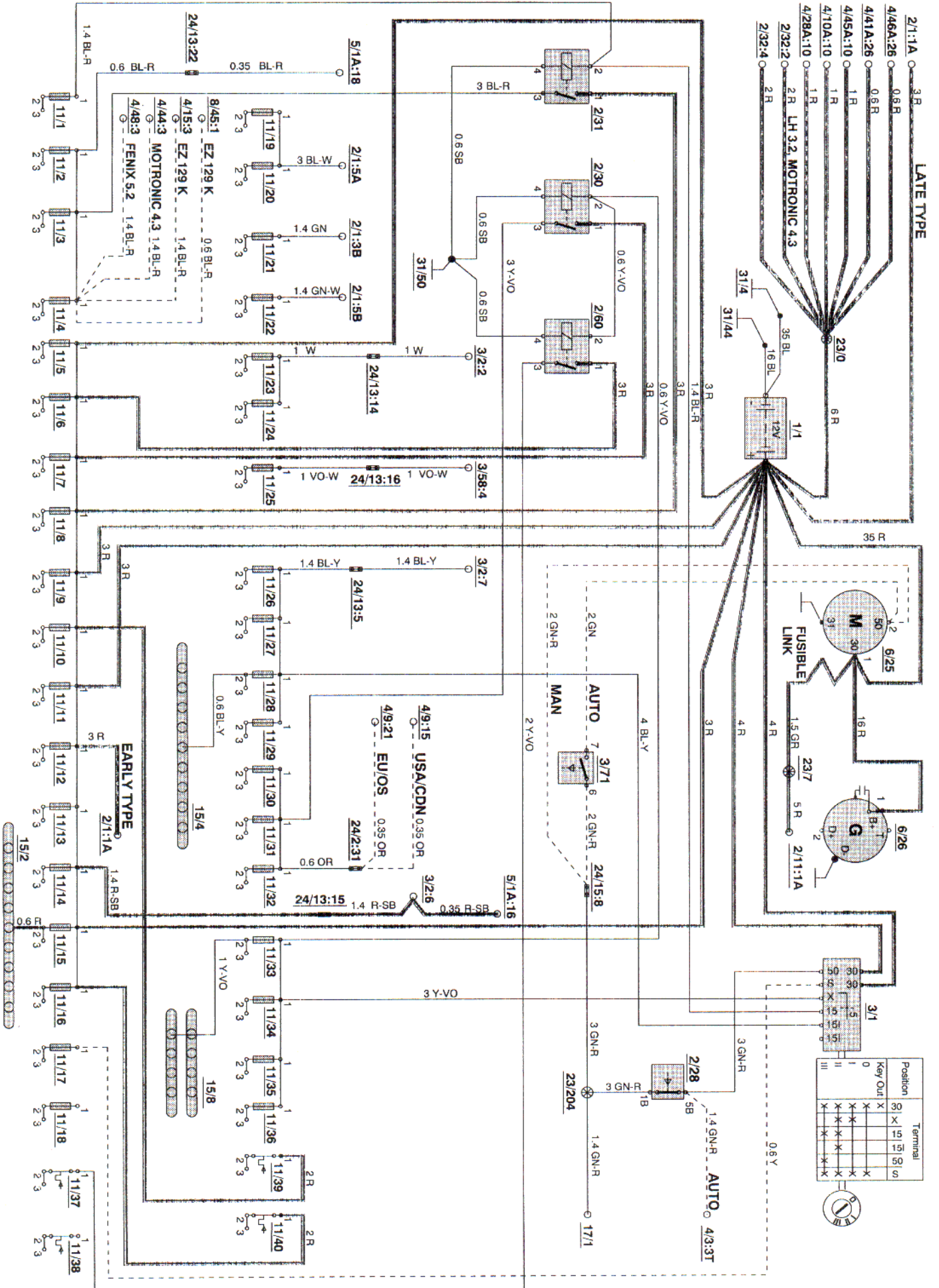


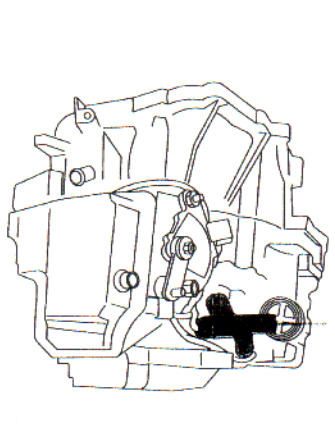
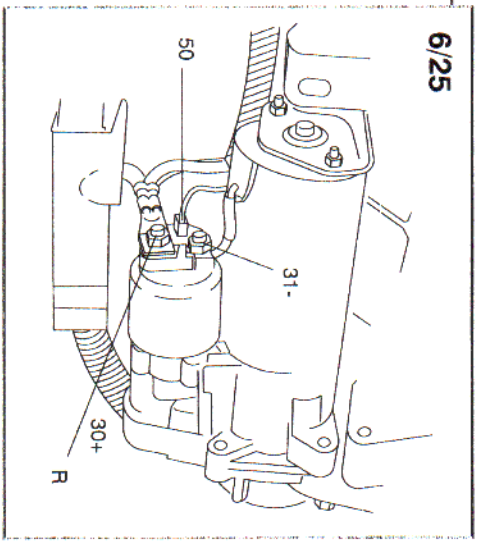
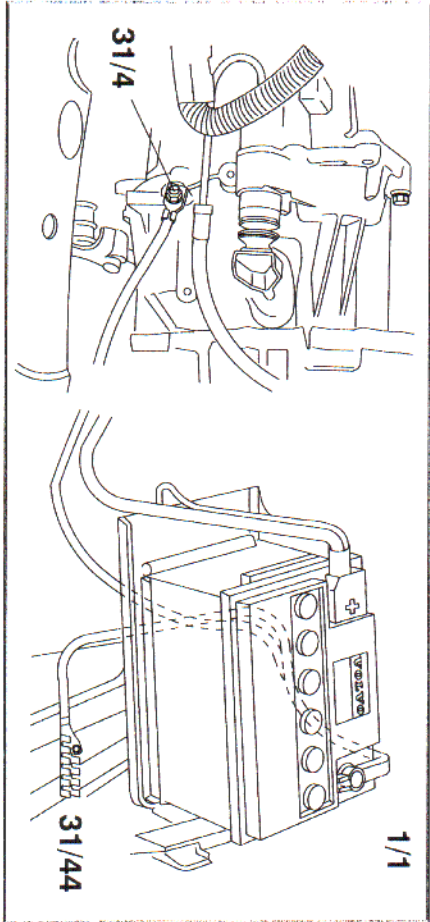
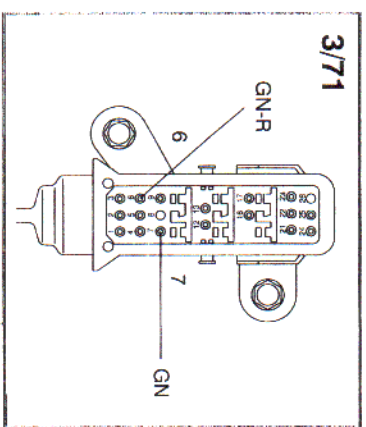
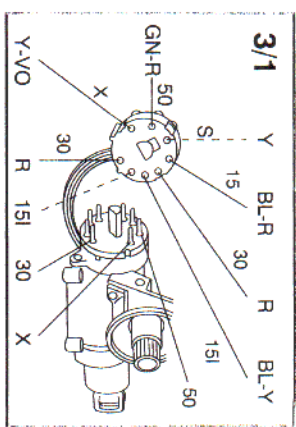
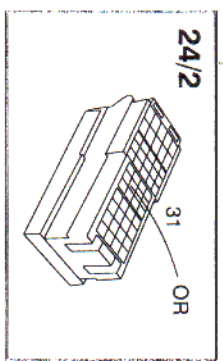
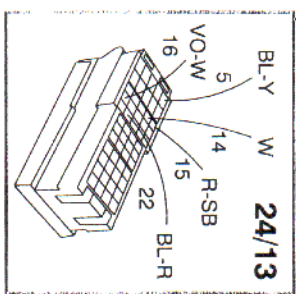
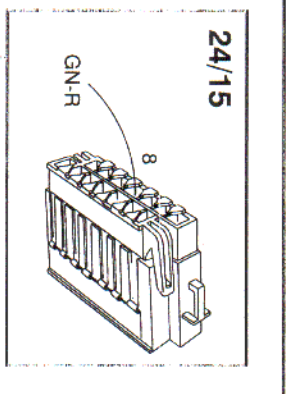
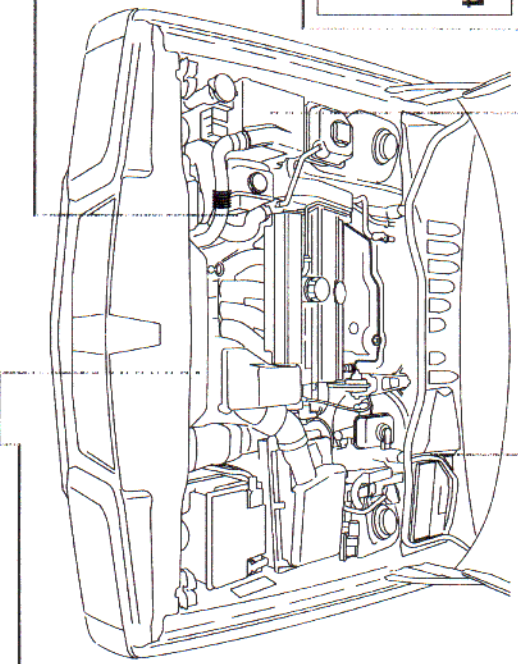
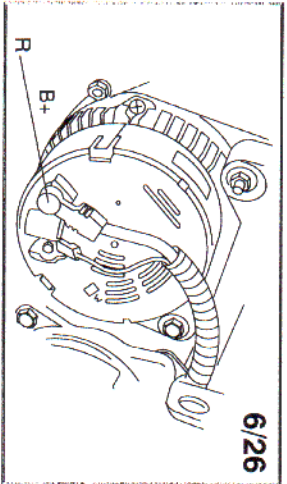
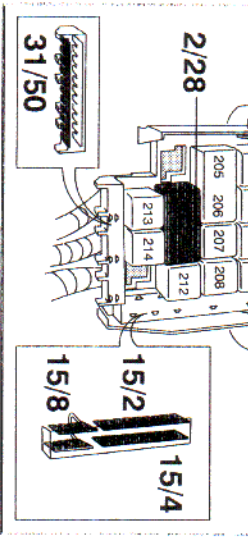
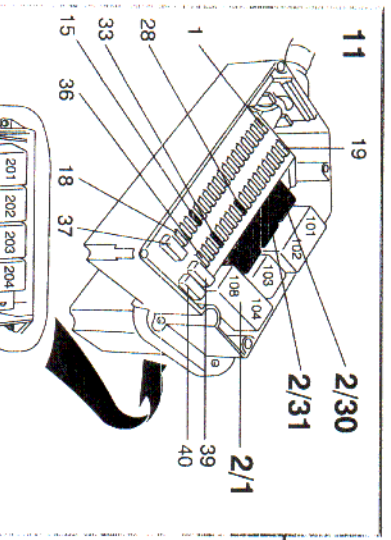
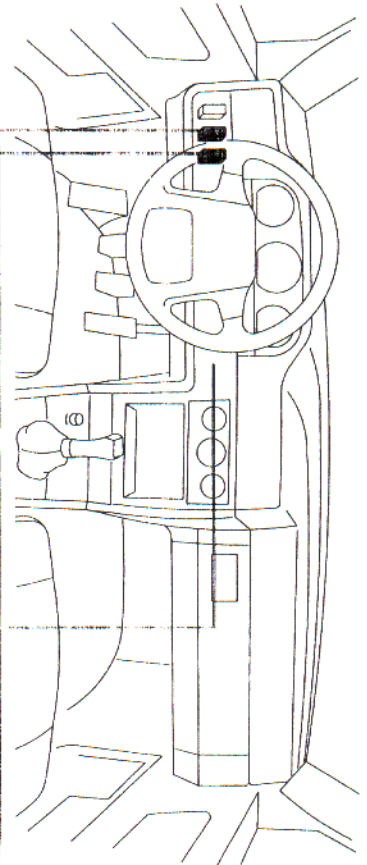
Anti-theft alarm, 5-door



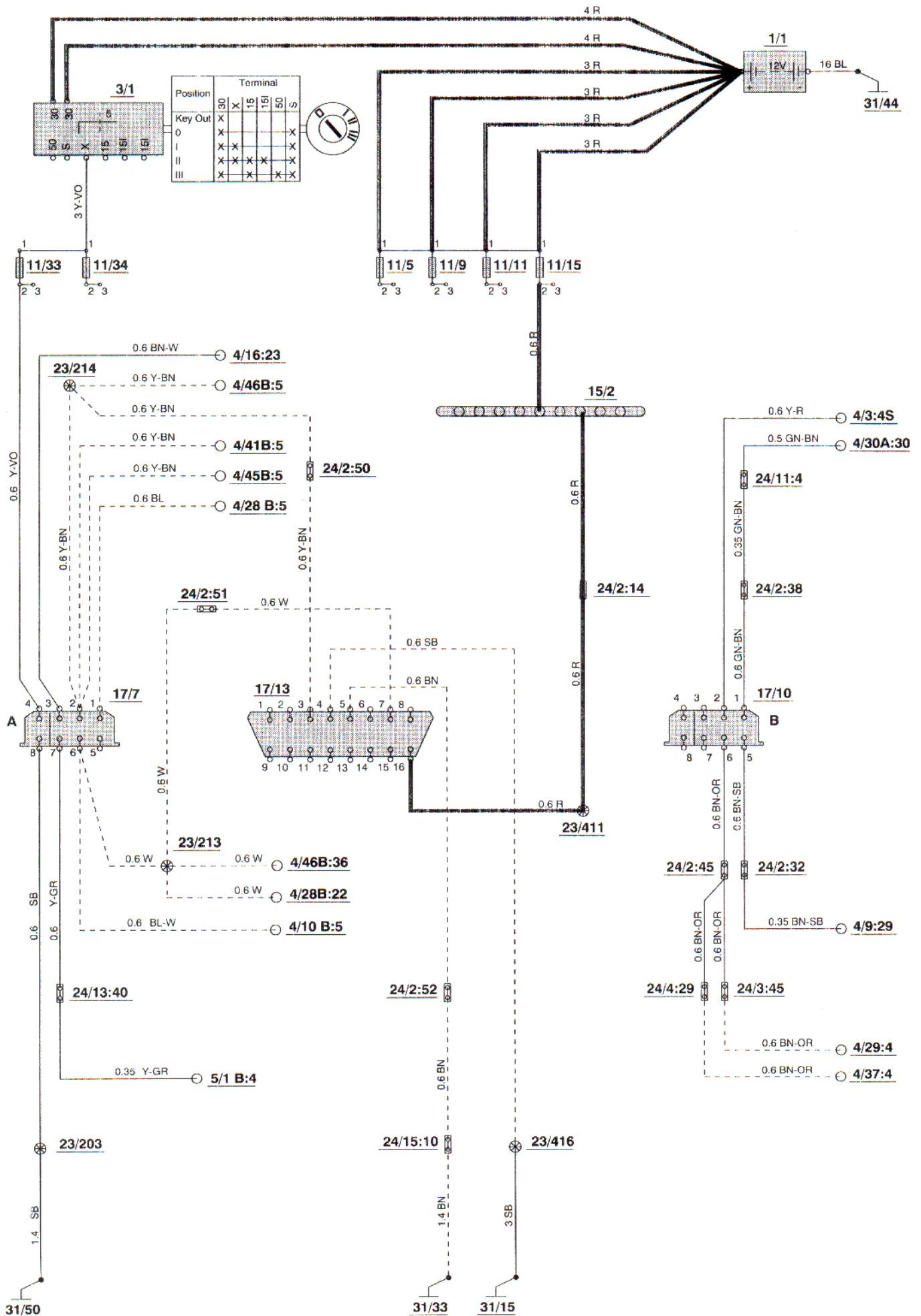


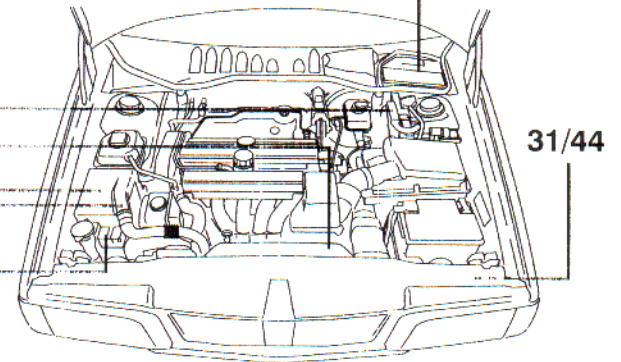
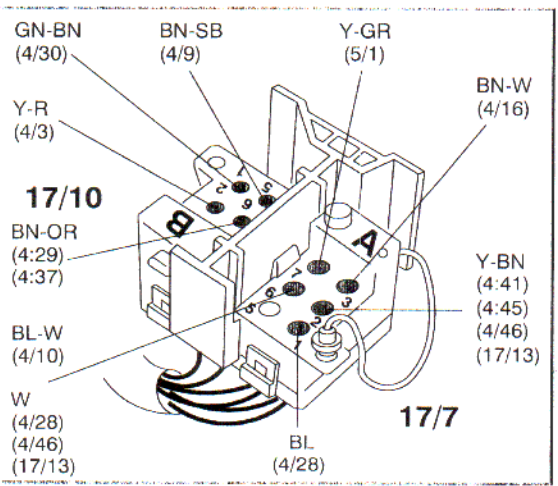
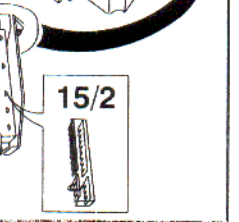
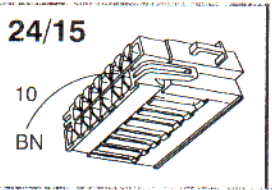
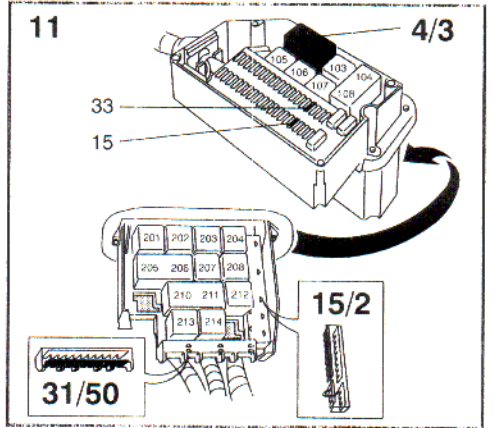
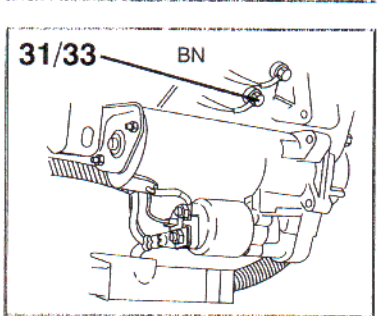
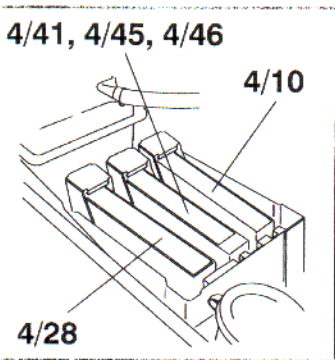
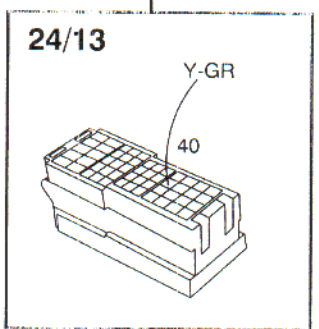
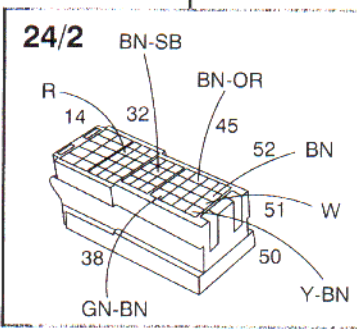
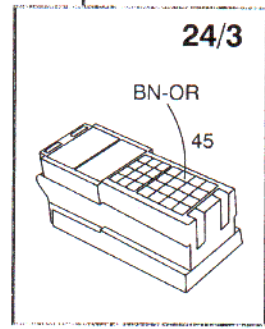
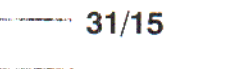
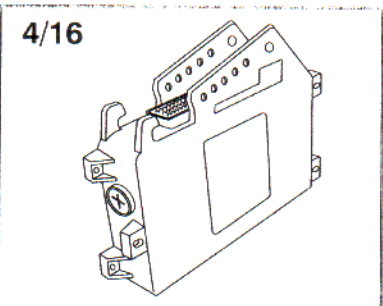
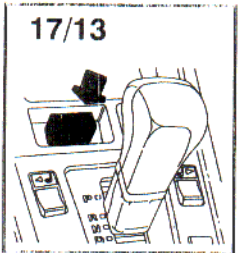
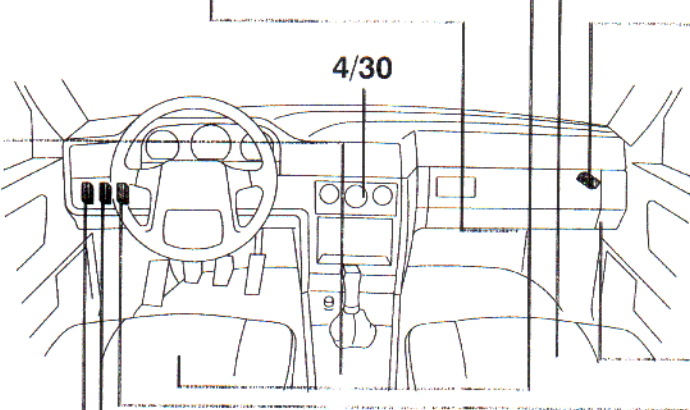
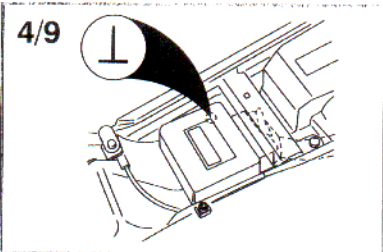
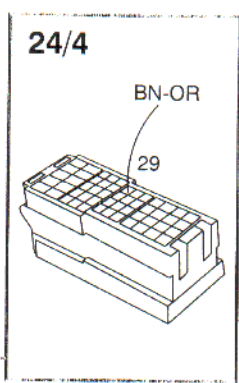
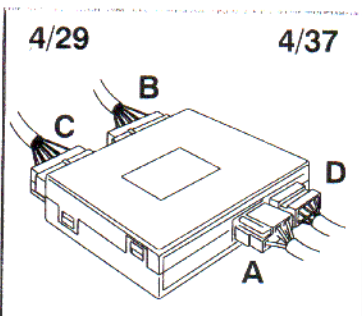
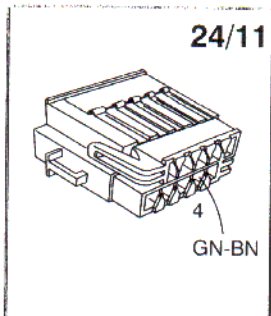
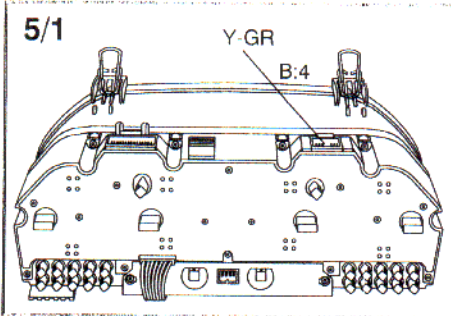
Electrical circuitry

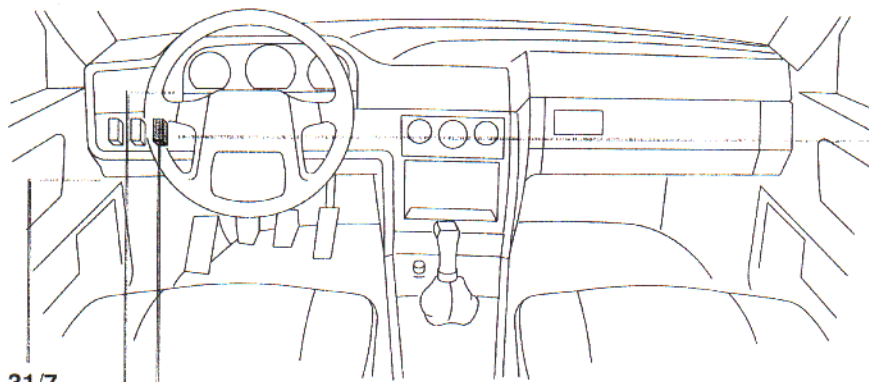




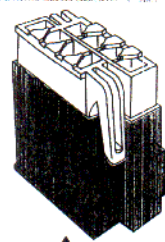
On-board diagnostic system (OBD system)







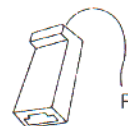
31/7



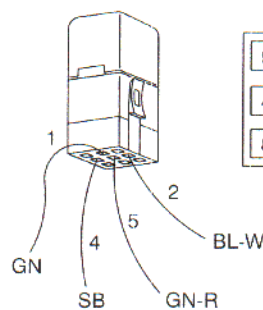
24/35, 24/35A

- 1 R
- 2 BN-OR
- 3 BL-W
- 4 GN-R
- 5 W
- 6 P
- 7 GN-OR
- 8 SB

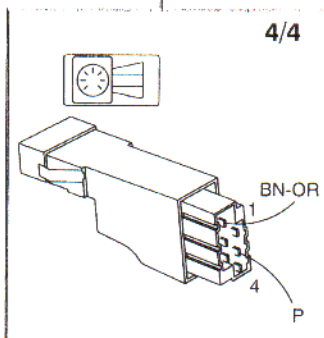
24/35B



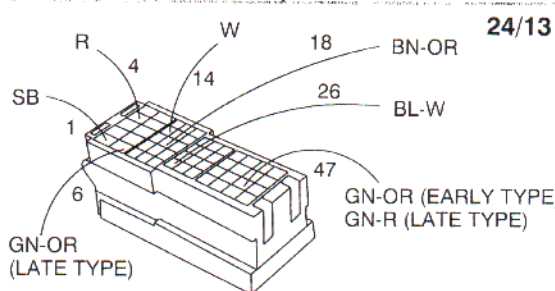
RELAY



9	1	6
4	5	2
8	3	7

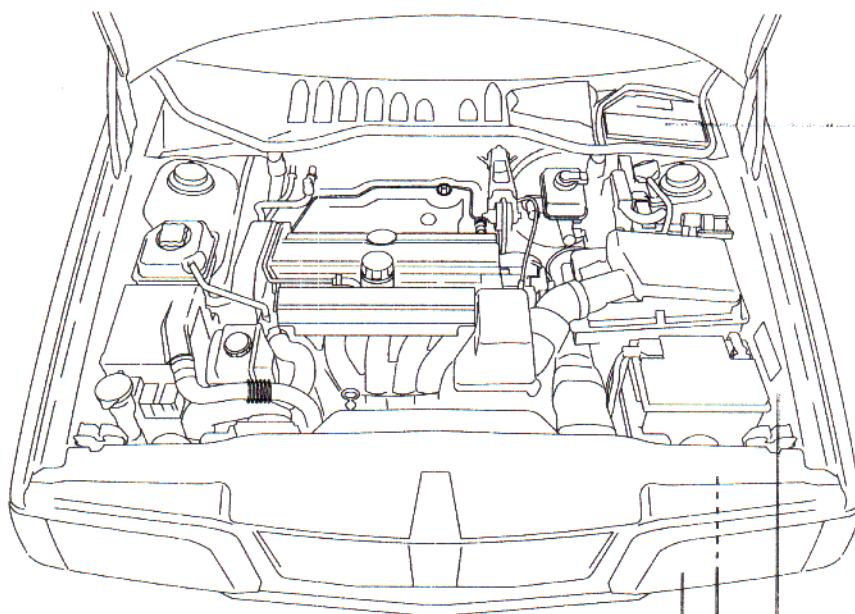


4/4

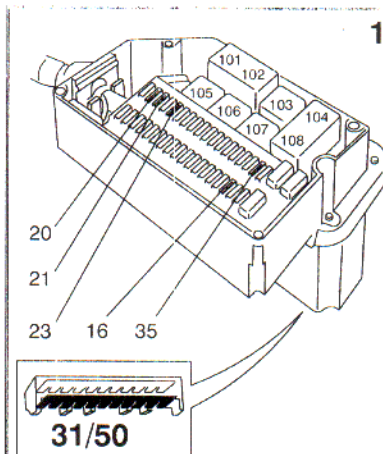


24/13

- 18 BN-OR
- 26 BL-W
- 47 GN-OR (EARLY TYPE)
GN-R (LATE TYPE)
- GN-OR (LATE TYPE)

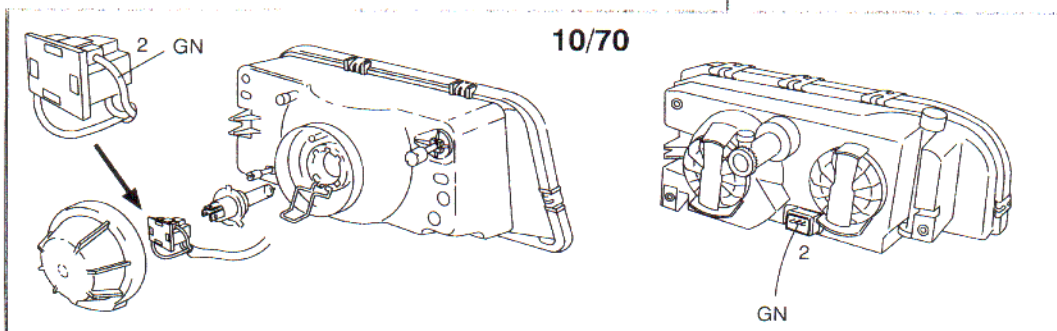


31/44



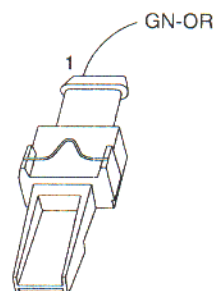
11

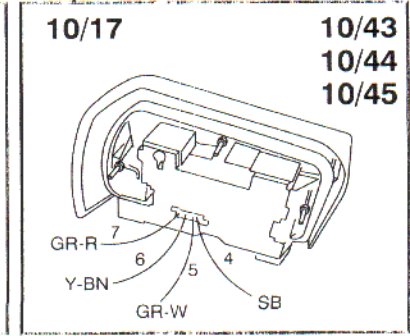
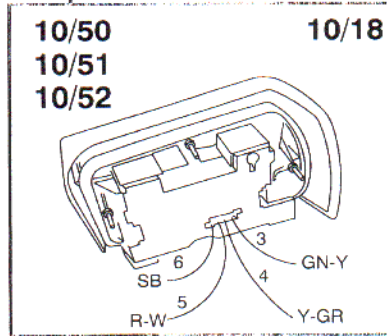
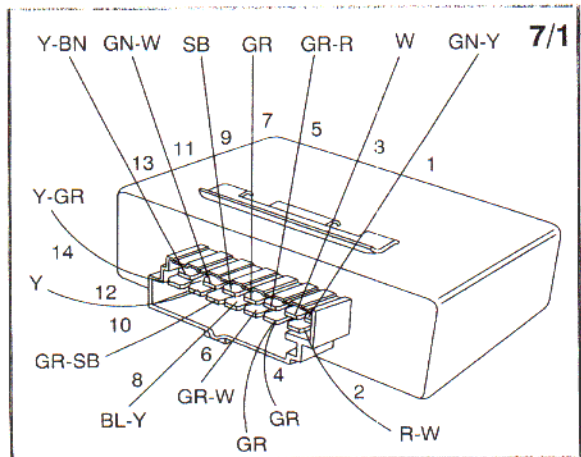
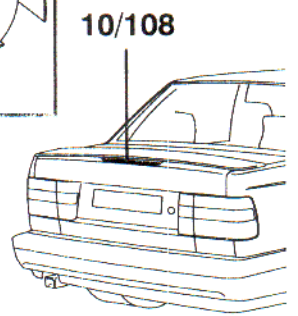
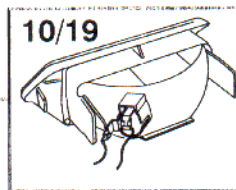
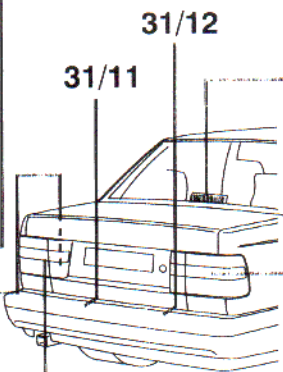
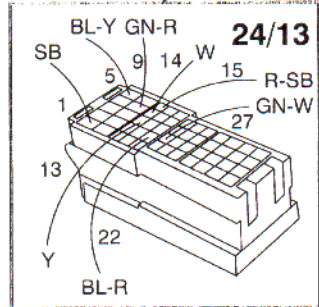
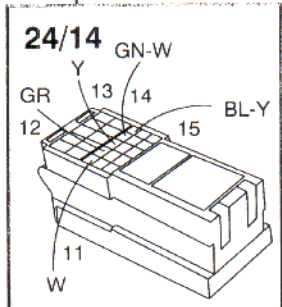
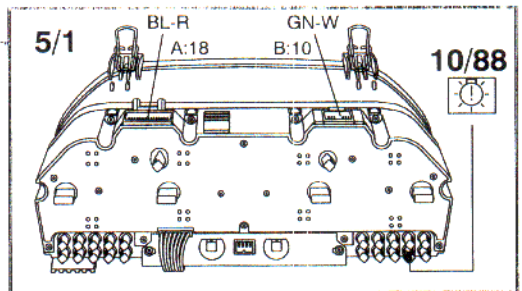
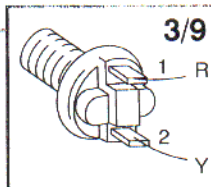
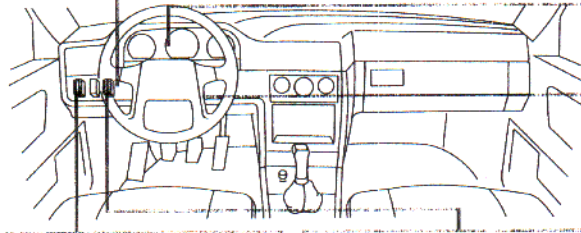
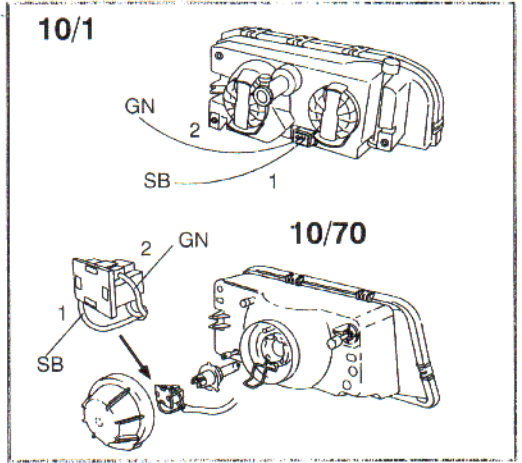
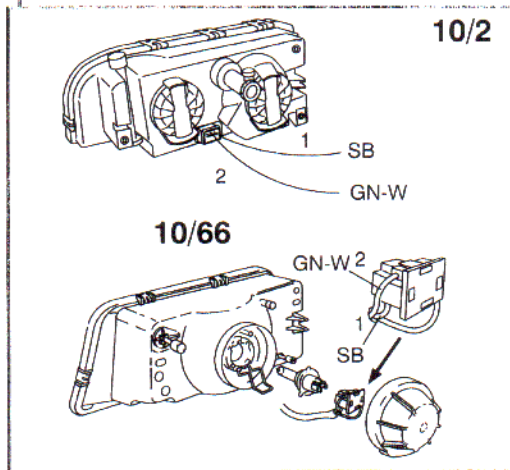
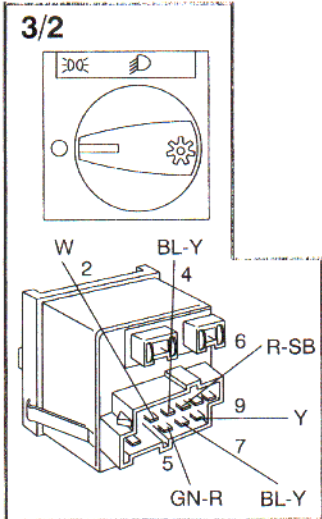
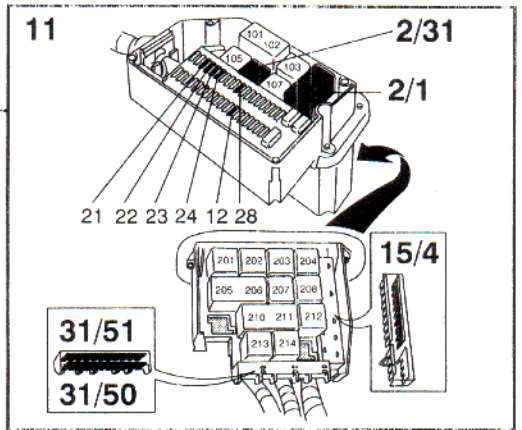
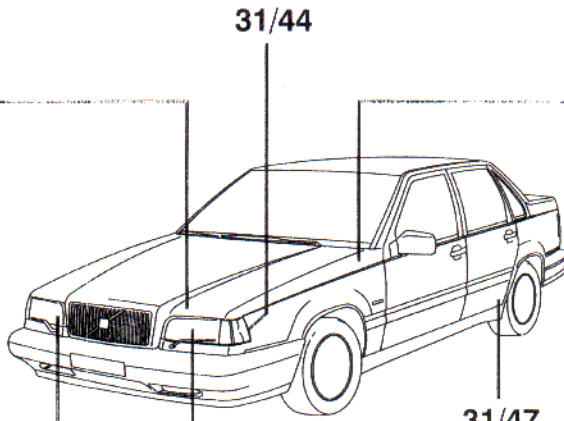
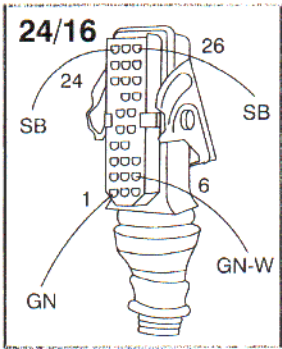
31/50



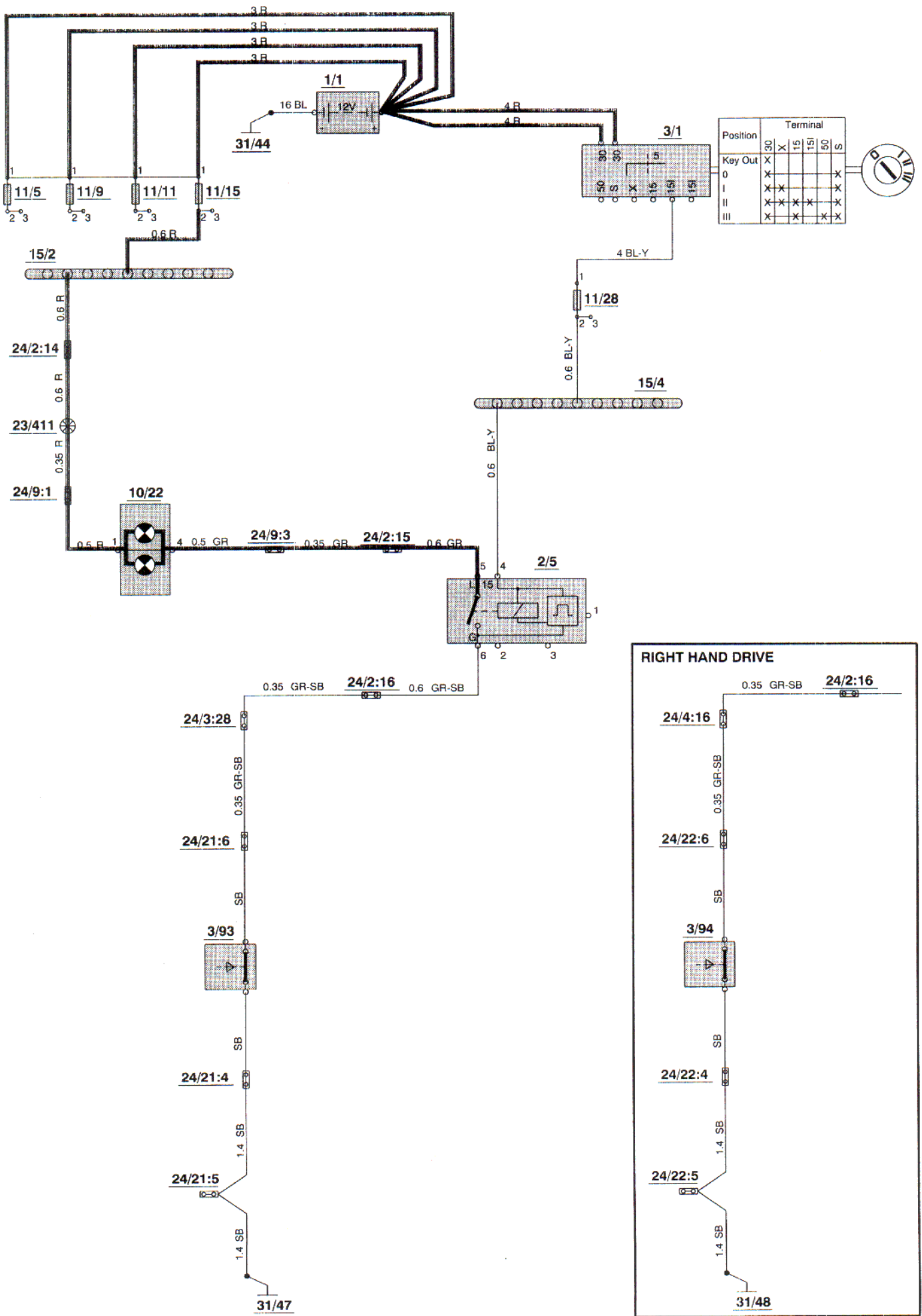
10/70

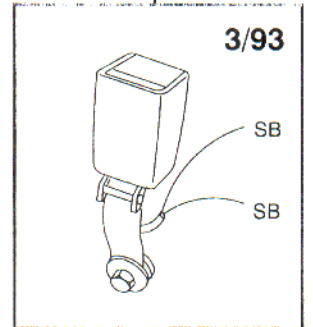
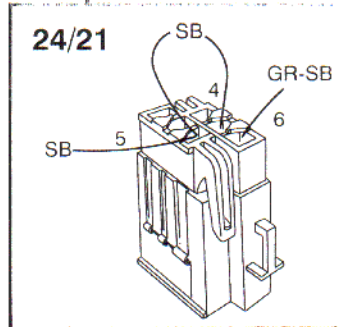
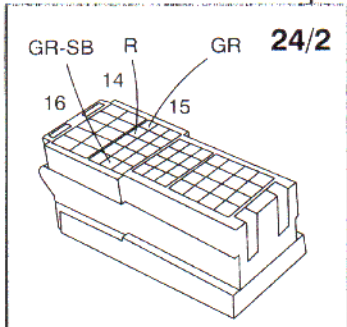
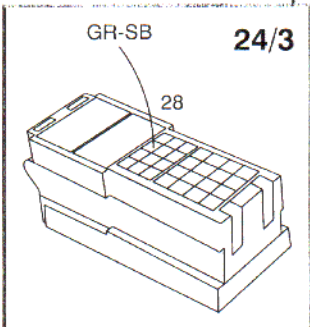
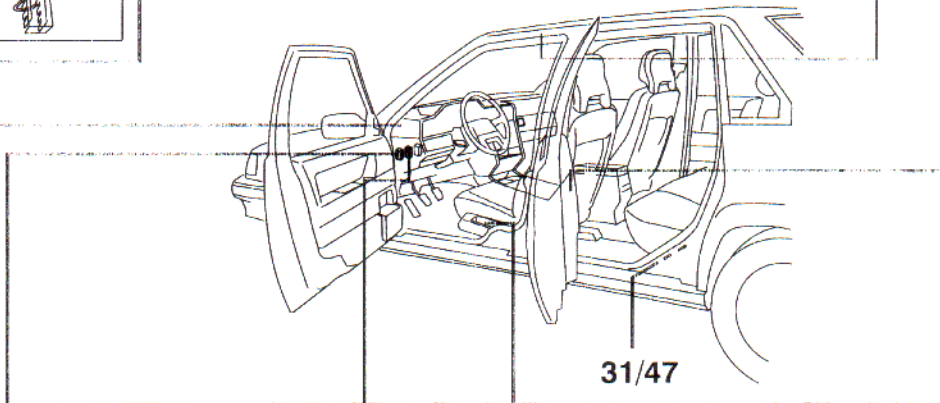
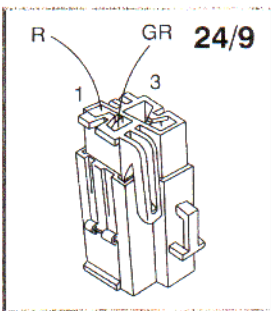
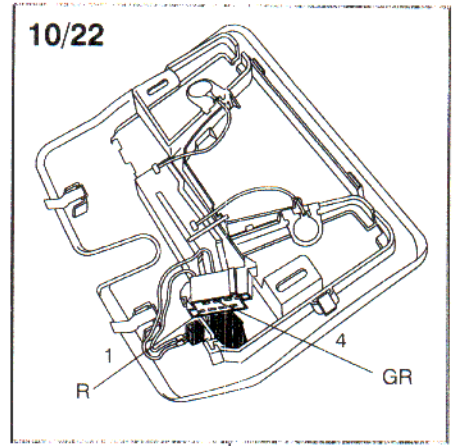
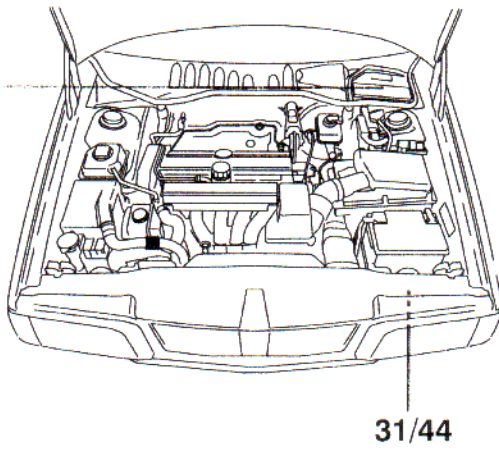
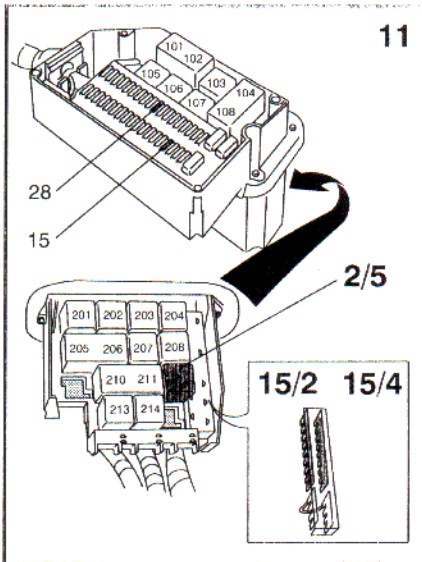
24/42



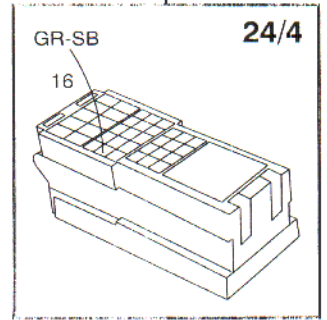
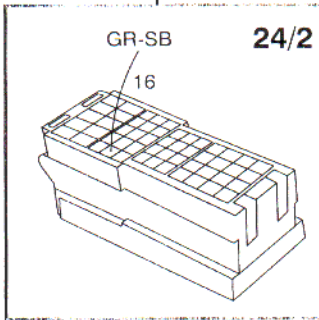
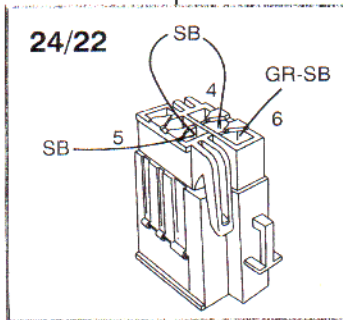
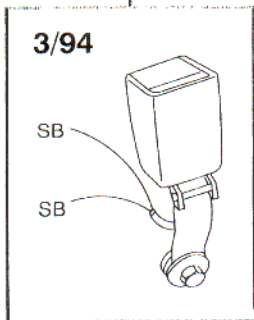
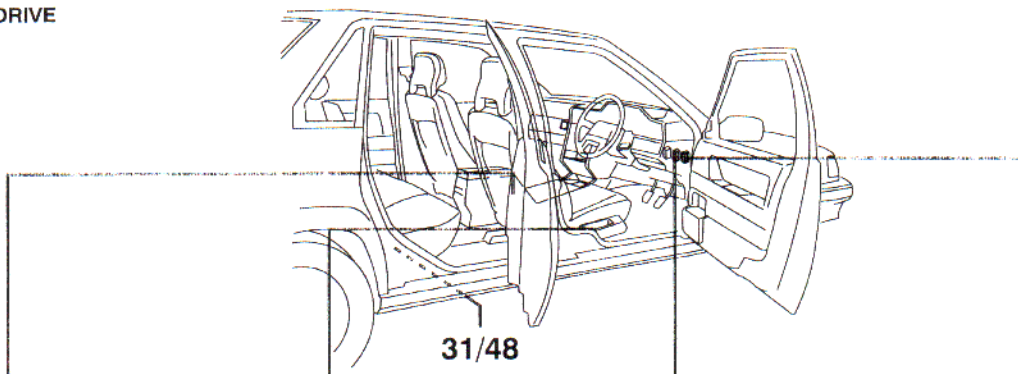


Seat belt reminder

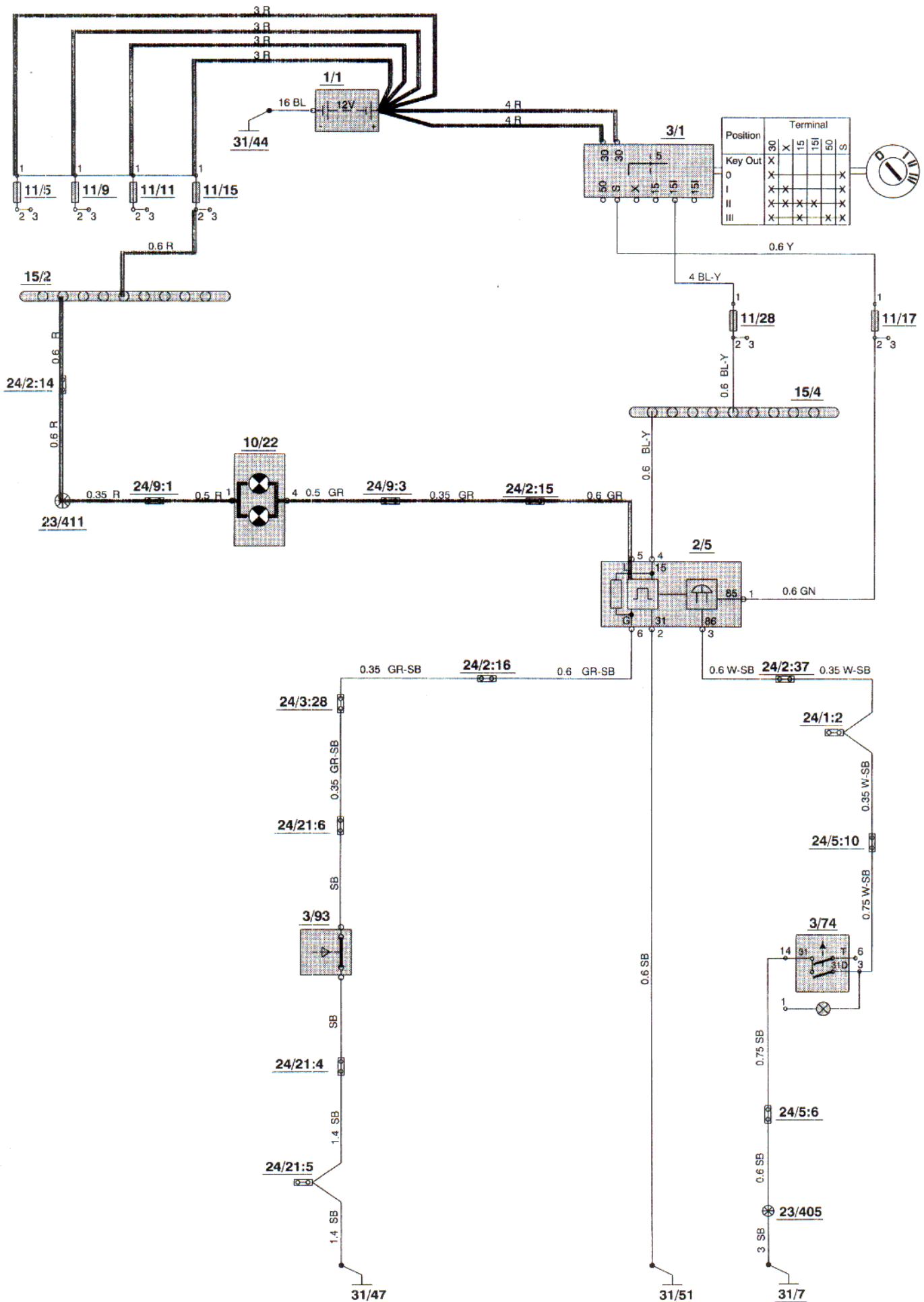


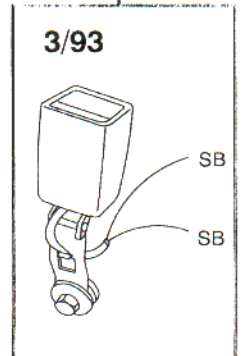
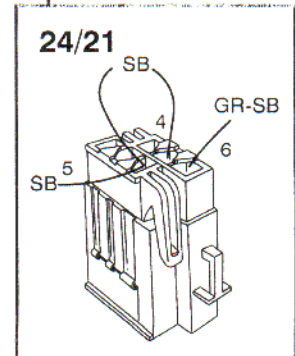
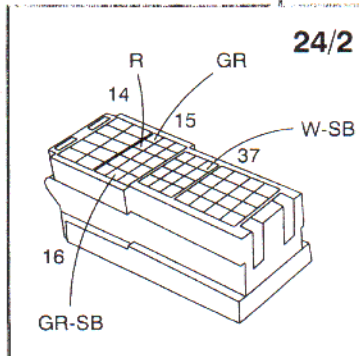
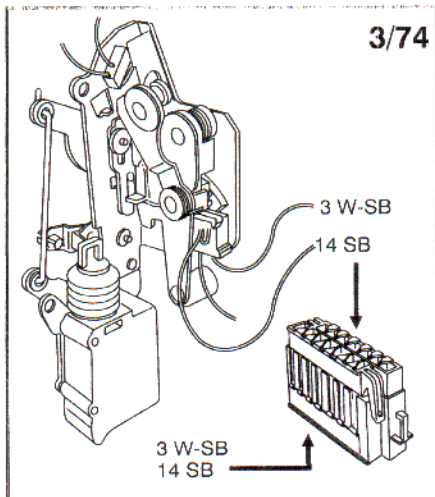
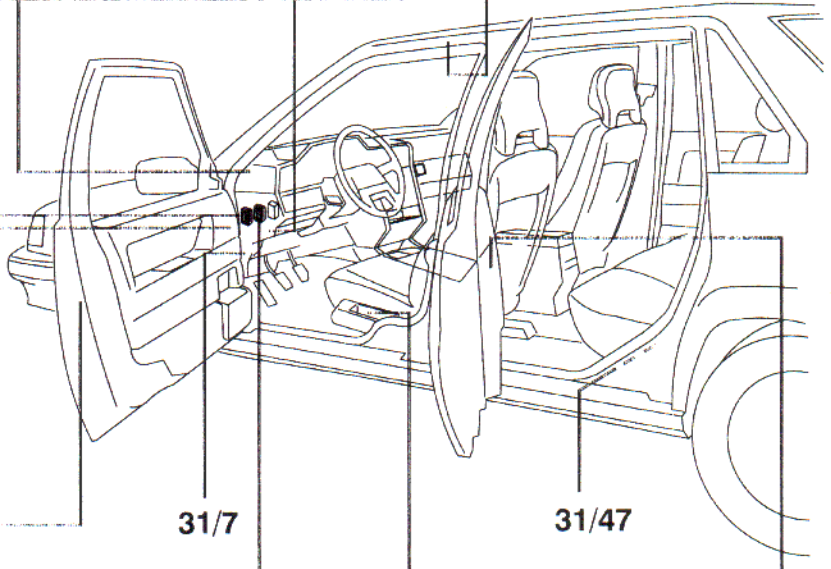
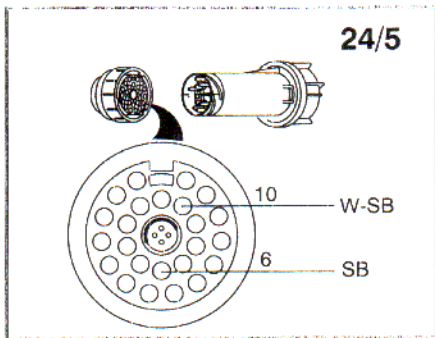
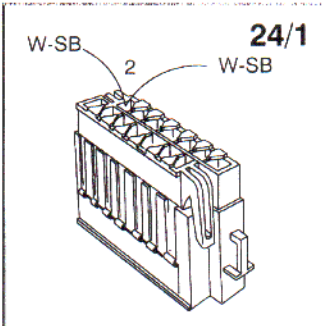
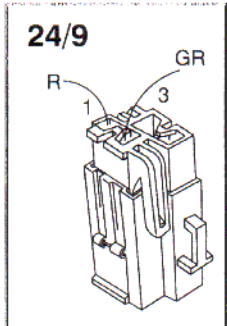
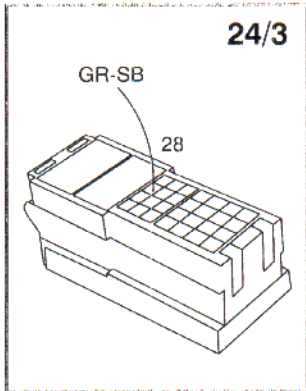
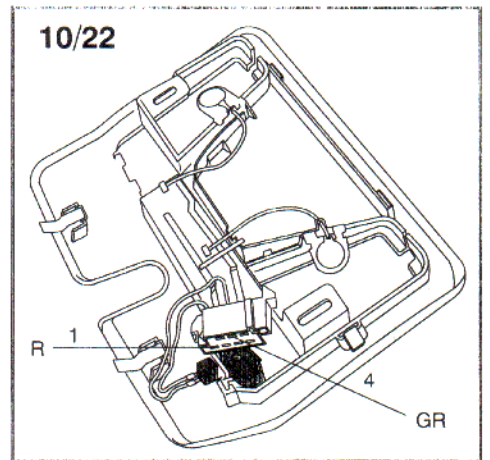
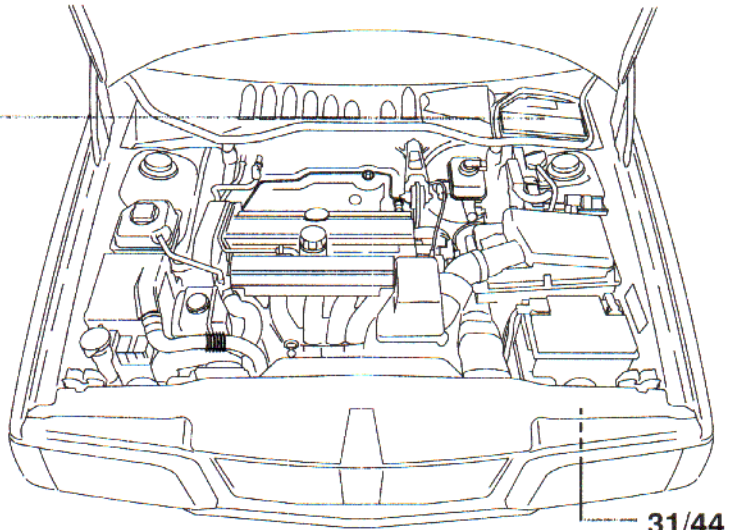
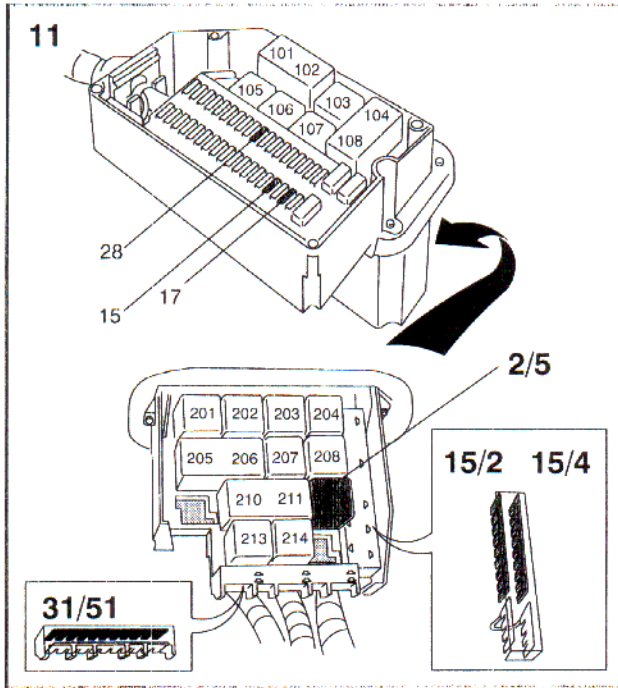


RIGHT HAND DRIVE

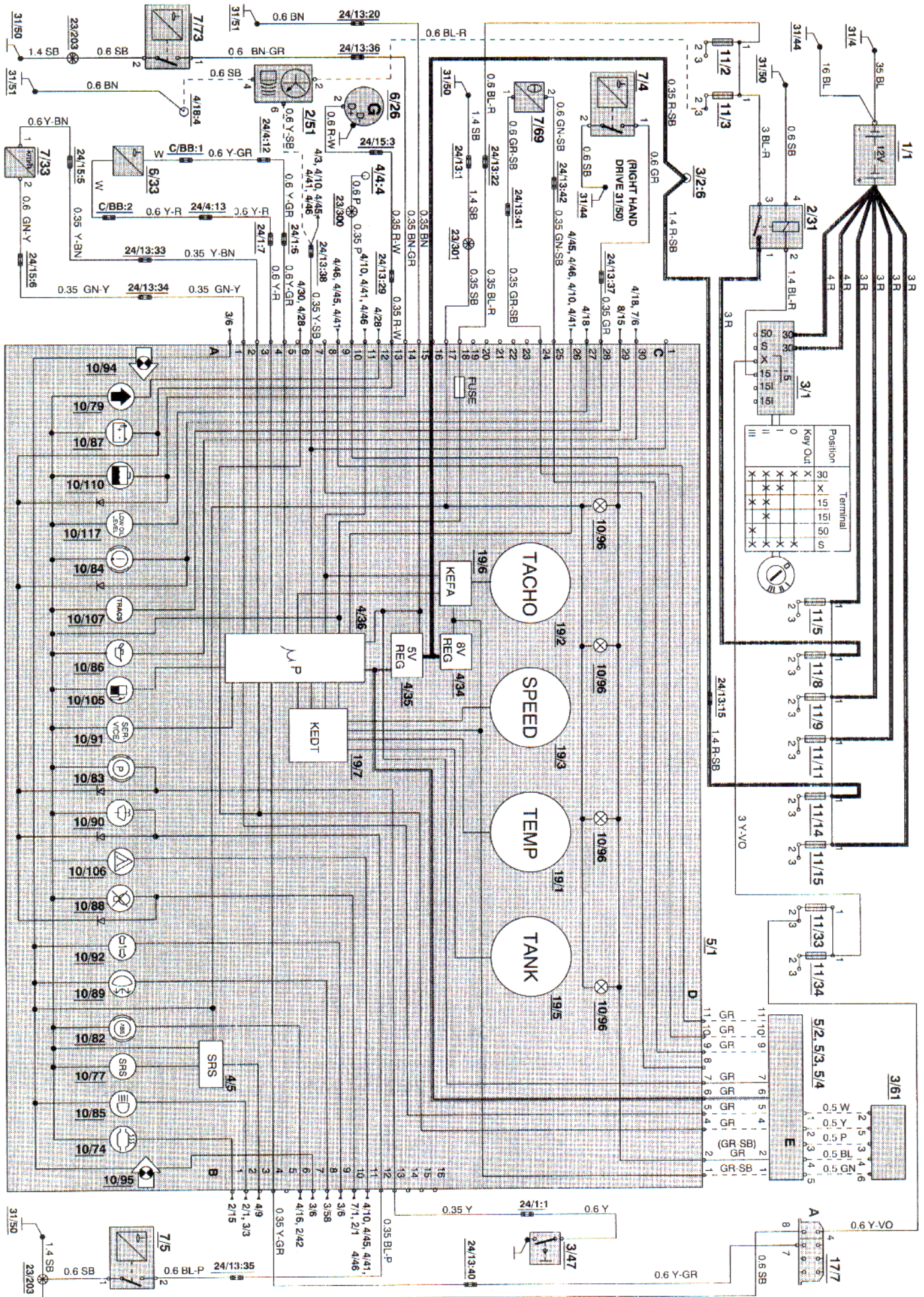


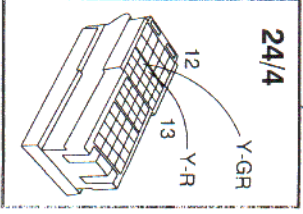
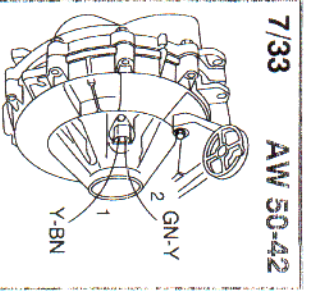
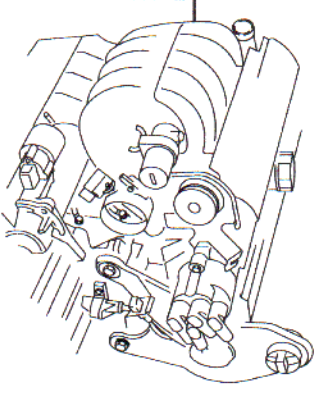
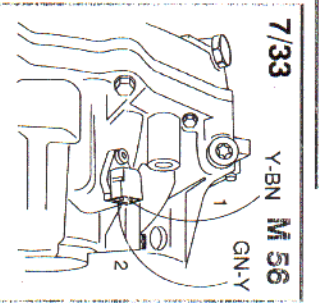
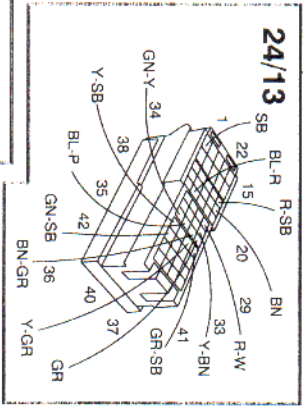
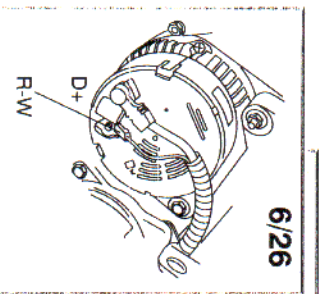
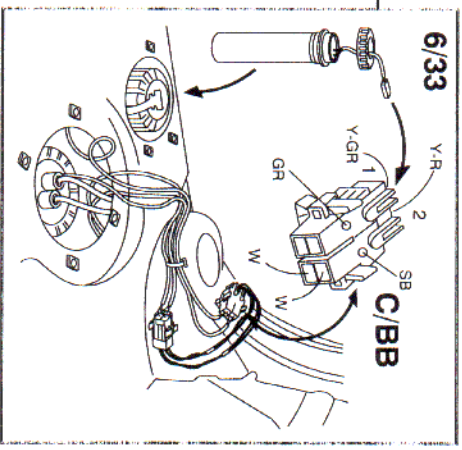
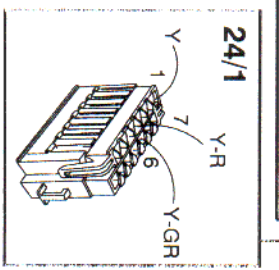
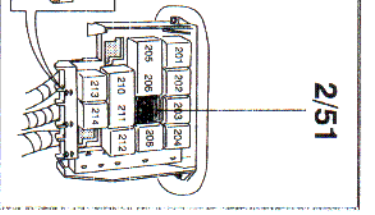
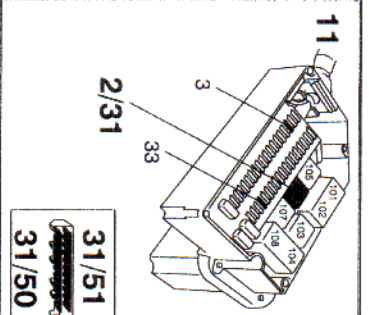
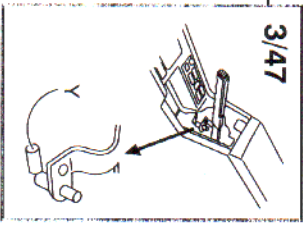
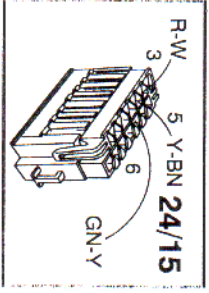
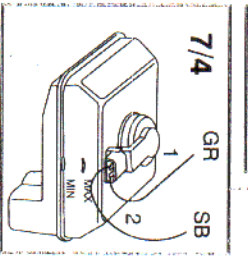
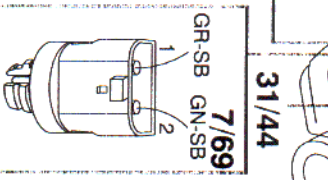
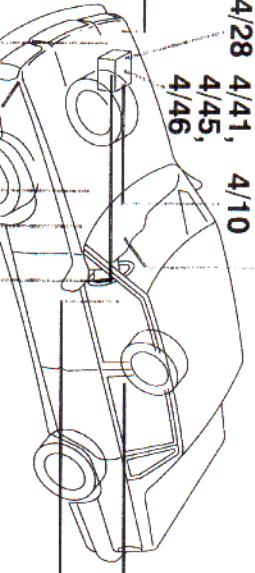
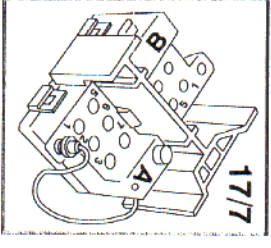
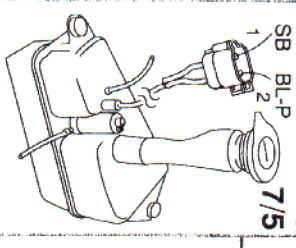
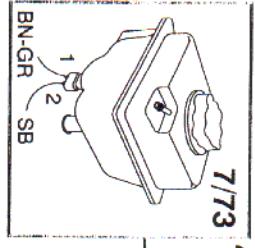
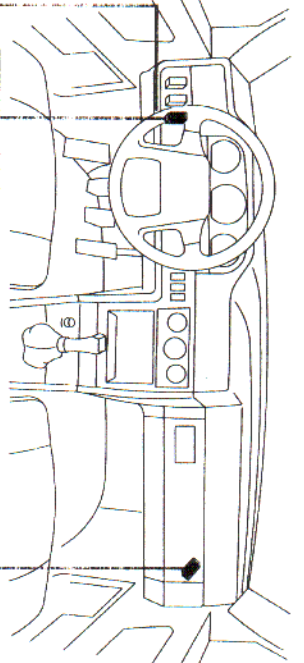
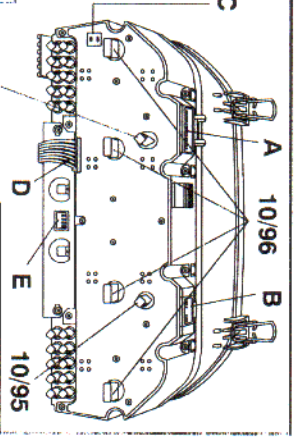
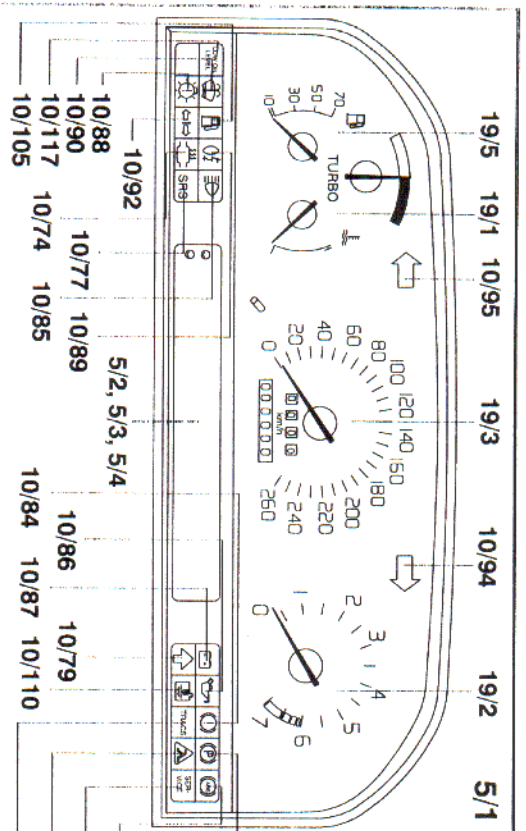
Seat belt and key reminder, USA, Canada, Korea





Combined instrument, VDO





Combined instrument VDO

Combined instrument connectors

A 30-pole connector

- 1 Turn signal, right (+)
- 2 Speedometer (-)
- 3 Speedometer (+)
- 4 Fuel gauge (-)
- 5 Fuel gauge (+)
- 6 Digital speedometer output, 48 impulses per rotation
- 7 Digital speedometer output, 12 impulses per rotation
- 8 SPARE
- 9 Fuel consumption
- 10 Rheostat, instrument lighting (+)
- 11 Tachometer, input signal
- 12 Winter program and low gear (automatic transmission)
- 13 Generator signal, D+
- 14 Coolant level sensor
- 15 Signal ground (31/51)
- 16 Voltage supply, +30
- 17 Lighting ground (31/50)
- 18 Voltage supply, +15
- 19 SPARE
- 20 SPARE
- 21 SPARE
- 22 SPARE
- 23 SPARE
- 24 Ambient temperature sensor (+)
- 25 Ambient temperature sensor (-)
- 26 Engine temperature sensor
- 27 Oil level sensor (-)
- 28 Brake fluid level sensor (-)
- 29 TRACS
- 30 Oil pressure sensor (-)

C 1-pole connector (double spade pin)

Digital speedometer output, 12 impulses per rotation (for accessories)

- 10/74 Indicator lamp, exhaust temperature
- 10/77 Indicator lamp SRS
- 10/79 Indicator lamp, winter program and low selection (automatic transmission)
- 10/82 Indicator lamp ABS
- 10/83 Indicator lamp, handbrake
- 10/84 Brake warning lamp
- 10/85 Warning light, high beam
- 10/86 Oil pressure warning lamp
- 10/87 Indicator lamp, charging

B 16-pole connector

- 1 Exhaust temp. sensor (-)
- 2 High beam (+)
- 3 Crash sensor/diagnostic unit SRS
- 4 DLC A
- 5 SPARE
- 6 ABS brake system (-)
- 7 Turn signal, left (+)
- 8 Rear fog lights (+)
- 9 Turn signal, trailer (+)
- 10 Bulb failure warning sensor (-)
- 11 Malfunction Indicator Lamp (MIL) (-)
- 12 Washer reservoir level sensor (-)
- 13 Parking brake contact (-)
- 14 SPARE
- 15 SPARE
- 16 SPARE

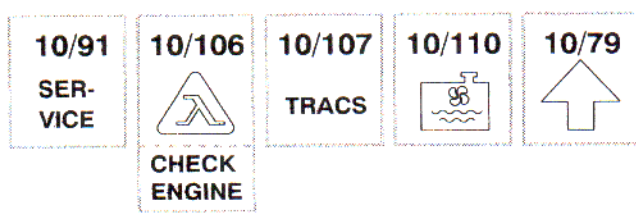
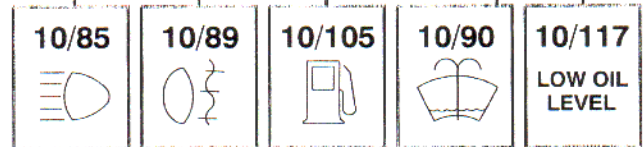
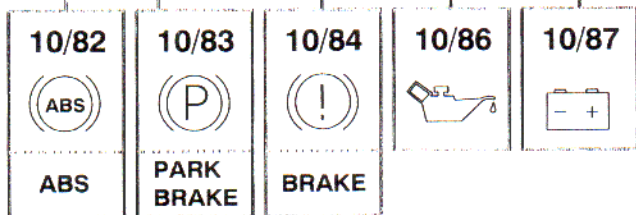
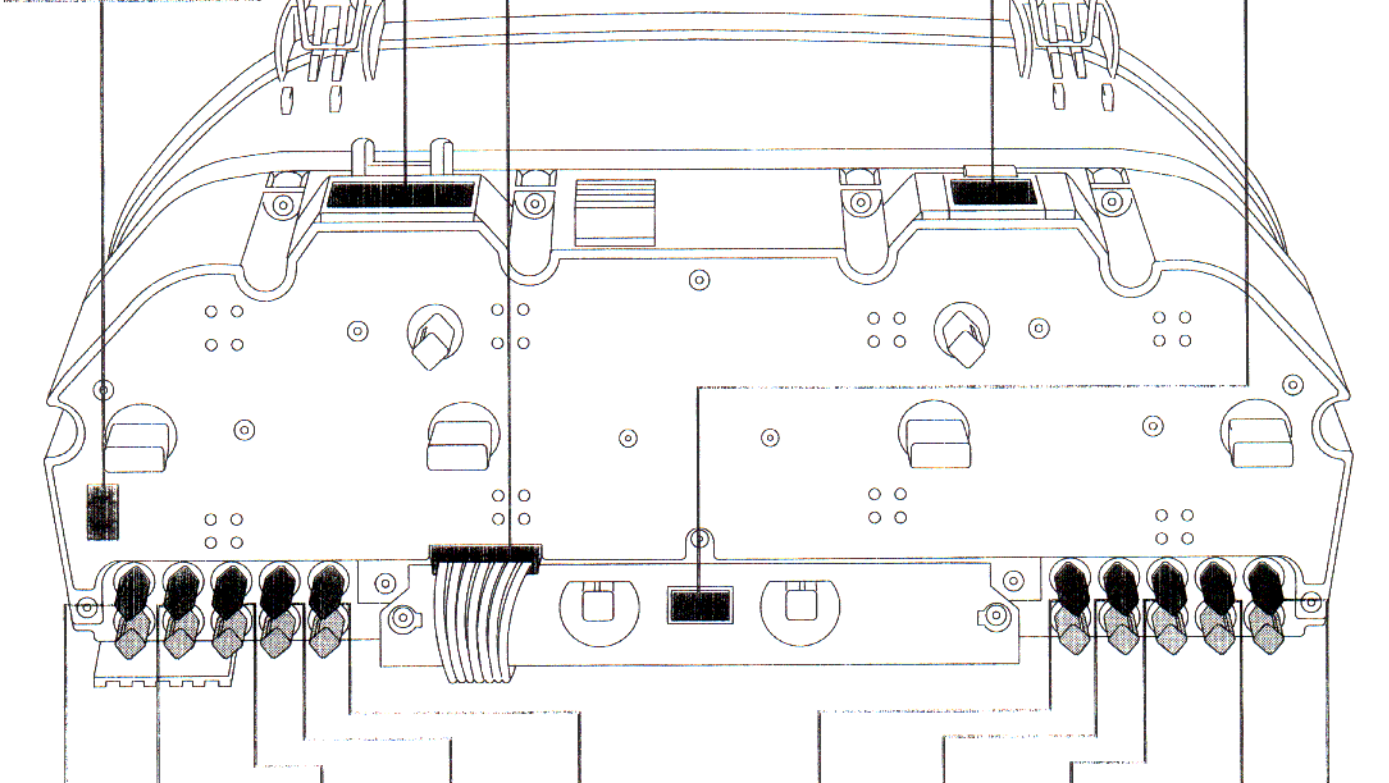
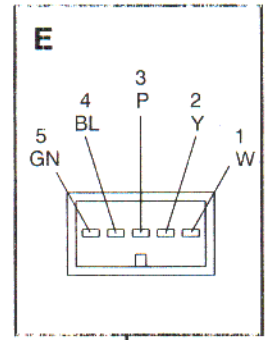
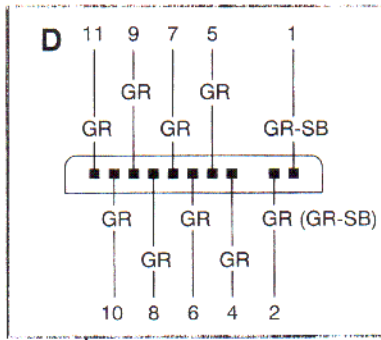
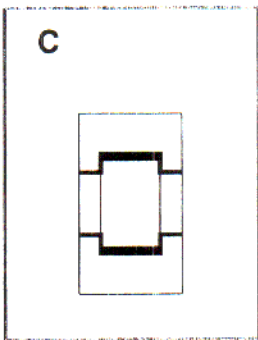
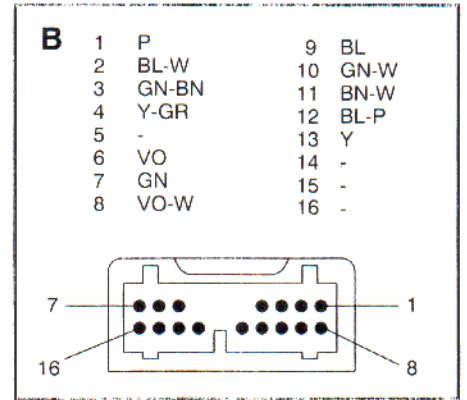
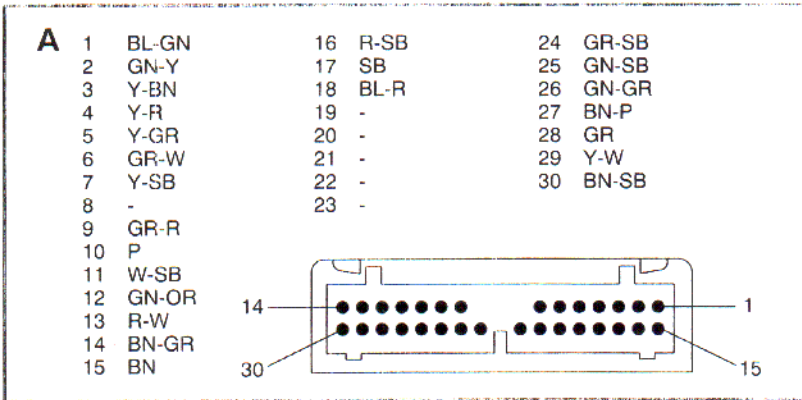
D 11-pole connector

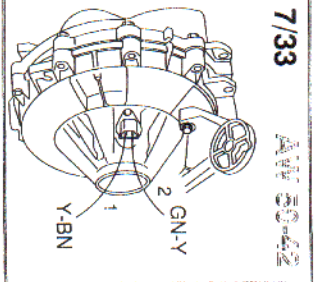
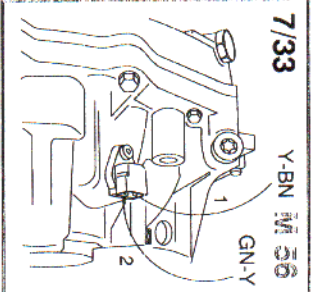
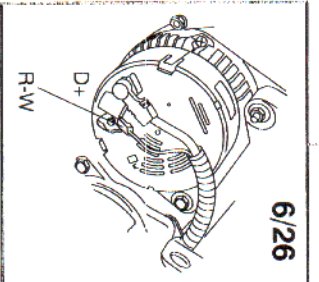
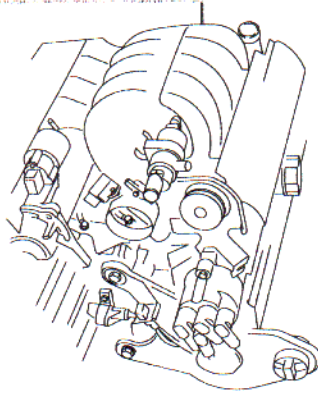
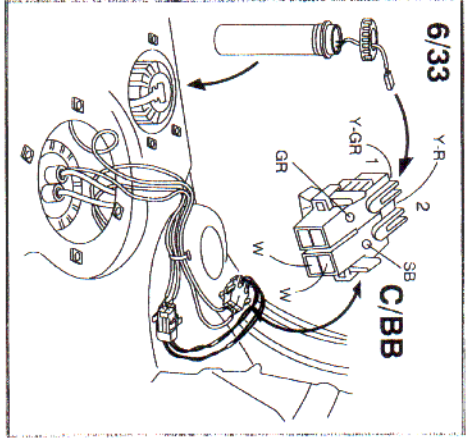
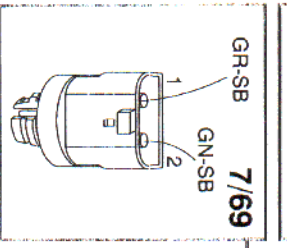
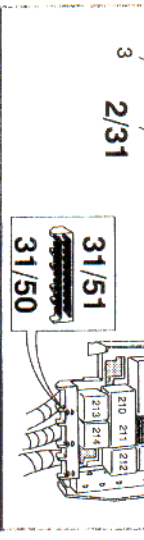
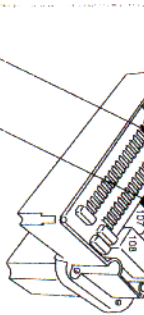
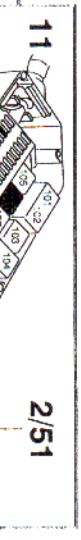
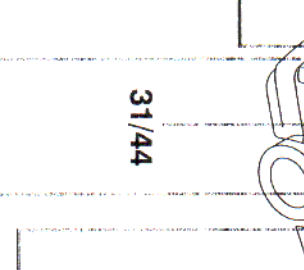
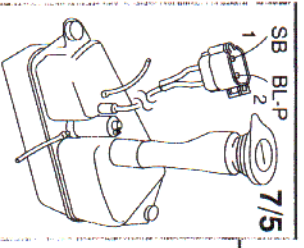
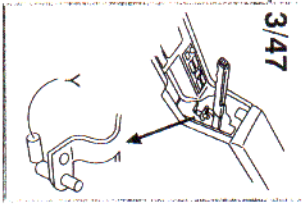
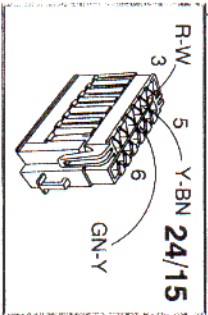
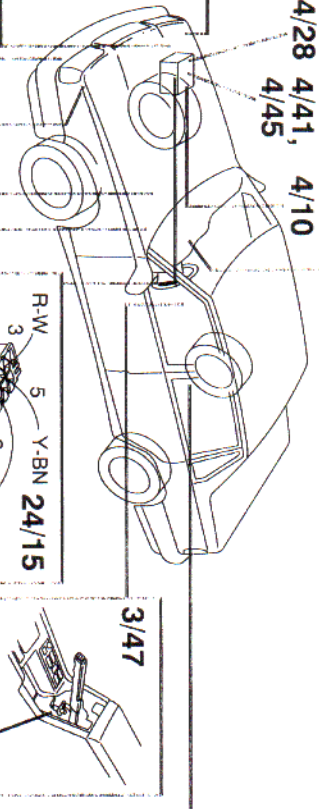
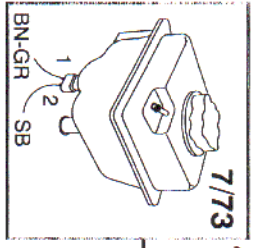
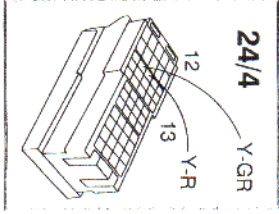
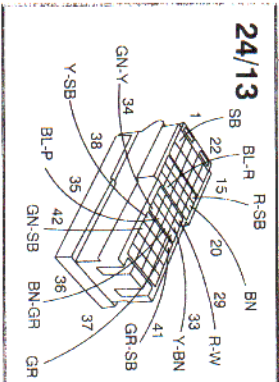
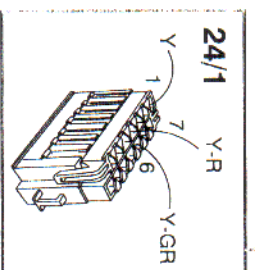
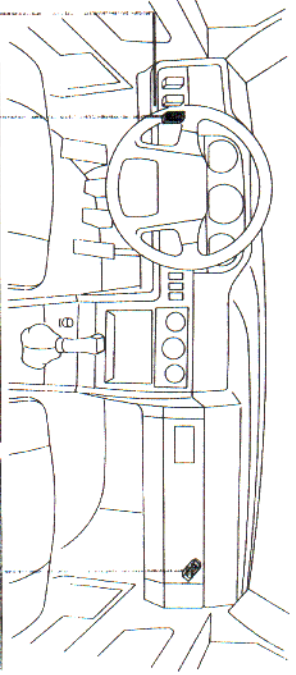
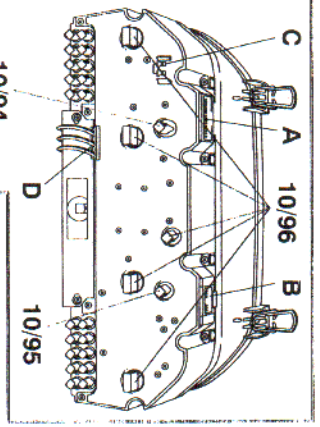
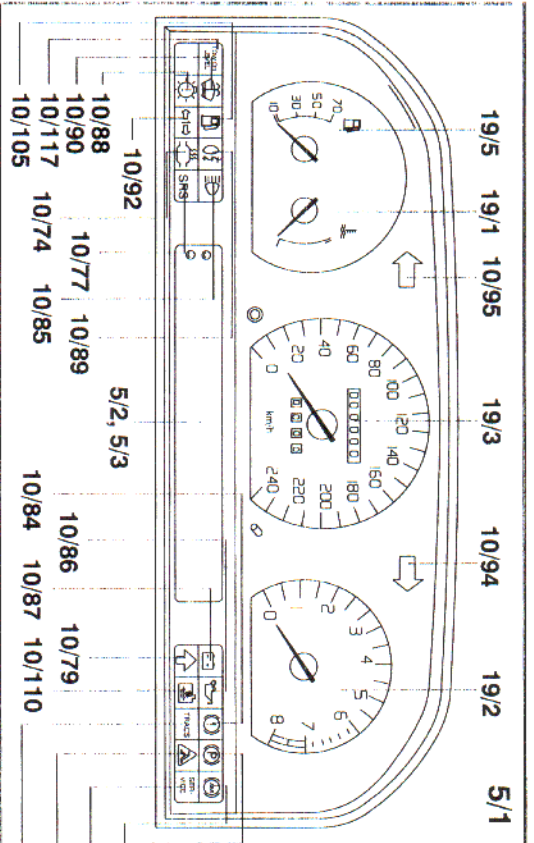
- 1 Voltage supply +15 (8 V stabilized)
- 2 Rheostat instrument lighting (+)
- 3 Connector coding seal
- 4 Digital speedometer output, 48 impulses per rotation
- 5 Fuel level
- 6 Voltage supply +30 (5 V stabilized)
- 7 Signal and lighting grounds (31/51)
- 8 SPARE
- 9 Ambient temperature sensor (-)
- 10 Ambient temperature sensor (+)
- 11 Fuel consumption

E 5-pole connector

- 1 Rheostat instrument lighting (+)
- 2 Signal and lighting grounds (31/51)
- 3 Function signal
- 4 Function signal
- 5 Function signal

- 10/88 Indicator light, bulb failure warning sensor
- 10/89 Indicator lamp, rear fog lights
- 10/90 Washer level warning lamp
- 10/91 Service warning
- 10/92 Indicator lamp, trailer
- 10/105 Fuel level warning lamp
- 10/106 Malfunction Indicator Lamp (MIL) warning lamp
- 10/107 TRACS warning lamp
- 10/110 Coolant level warning lamp
- 10/117 Oil level warning lamp





Combined instrument Yasaki

Combined instrument connectors

A 30-pole connector

1	Turn signal, right (+)
2	Speedometer (-)
3	Speedometer (+)
4	Fuel gauge (-)
5	Fuel gauge (+)
6	Digital speedometer output, 48 impulses per rotation
7	Digital speedometer output, 12 impulses per rotation
8	SPARE
9	SPARE
10	Rheostat, instrument lighting (+)
11	Tachometer, input signal
12	Winter program and low gear (automatic transmission)
13	Generator signal, D+
14	Coolant level sensor
15	Signal ground (31/51)
16	Voltage supply, +30
17	Lighting ground (31/50)
18	Voltage supply, +15
19	SPARE
20	SPARE
21	SPARE
22	SPARE
23	SPARE
24	Ambient temperature sensor (+)
25	Ambient temperature sensor (-)
26	Engine temperature sensor
27	Oil level sensor (-)
28	Brake fluid level sensor (-)
29	TRACS
30	Oil pressure sensor (-)

C 1-pole connector (double spade pin)

Digital speedometer output, 12 impulses per rotation (for accessories)

10/74	Indicator lamp, exhaust temperature
10/77	Indicator lamp SRS
10/79	Indicator lamp, winter program and low selection (automatic transmission)
10/82	Indicator lamp ABS
10/83	Indicator lamp, handbrake
10/84	Brake warning lamp
10/85	Warning light, high beam
10/86	Oil pressure warning lamp
10/87	Indicator lamp, charging

B 16-pole connector

1	Exhaust temp. sensor (-)
2	High beam (+)
3	Crash sensor/diagnostic unit SRS
4	Diagnostic socket A
5	SPARE
6	ABS brake system (-)
7	Turn signal, left (+)
8	Rear fog lights (+)
9	Turn signal, trailer (+)
10	Bulb failure warning sensor (-)
11	Malfunction Indicator Lamp (MIL) (-)
12	Washer reservoir level sensor (-)
13	Parking brake contact (-)
14	SPARE
15	SPARE
16	SPARE

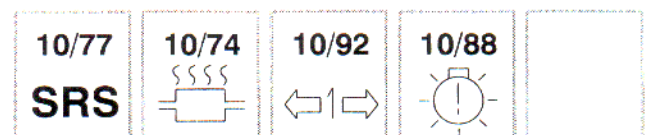
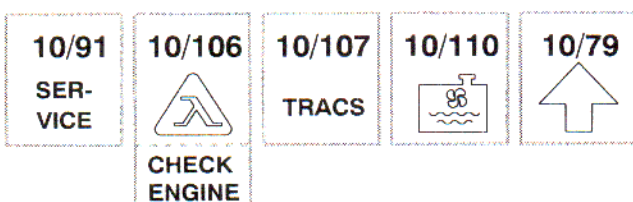
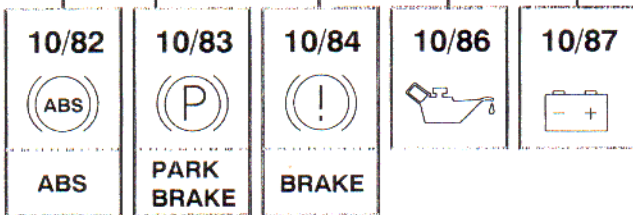
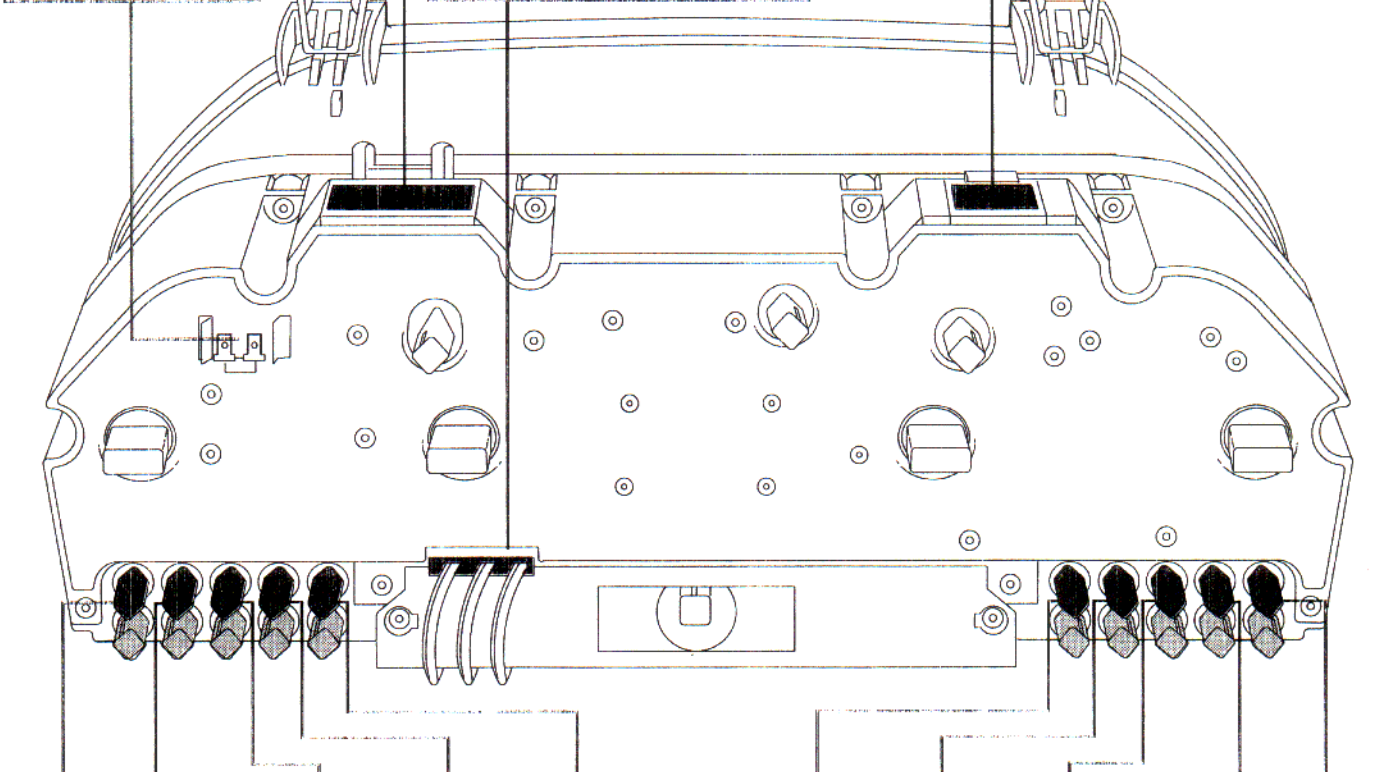
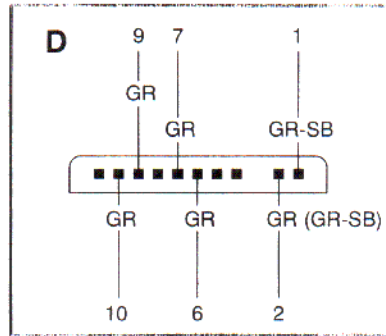
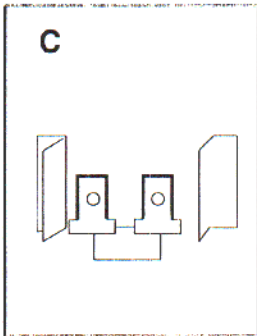
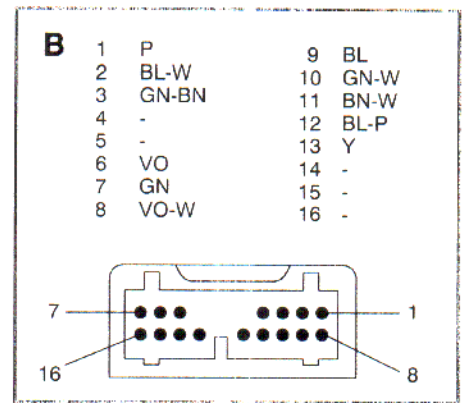
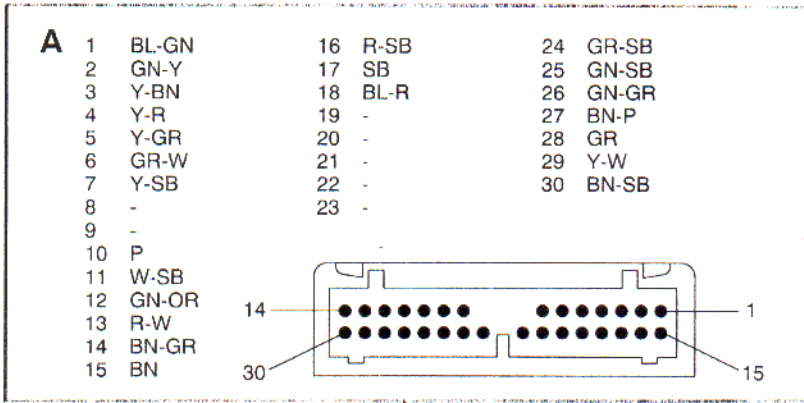
D 11-pole connector

1	Voltage supply +15 (8 V stabilized)
2	Rheostat instrument lighting (+)
3	Connector coding seal
4	SPARE
5	SPARE
6	Voltage supply +30 (5 V stabilized)
7	Signal and lighting grounds (31/51)
8	SPARE
9	Ambient temperature sensor (-)
10	Ambient temperature sensor (+)
11	SPARE

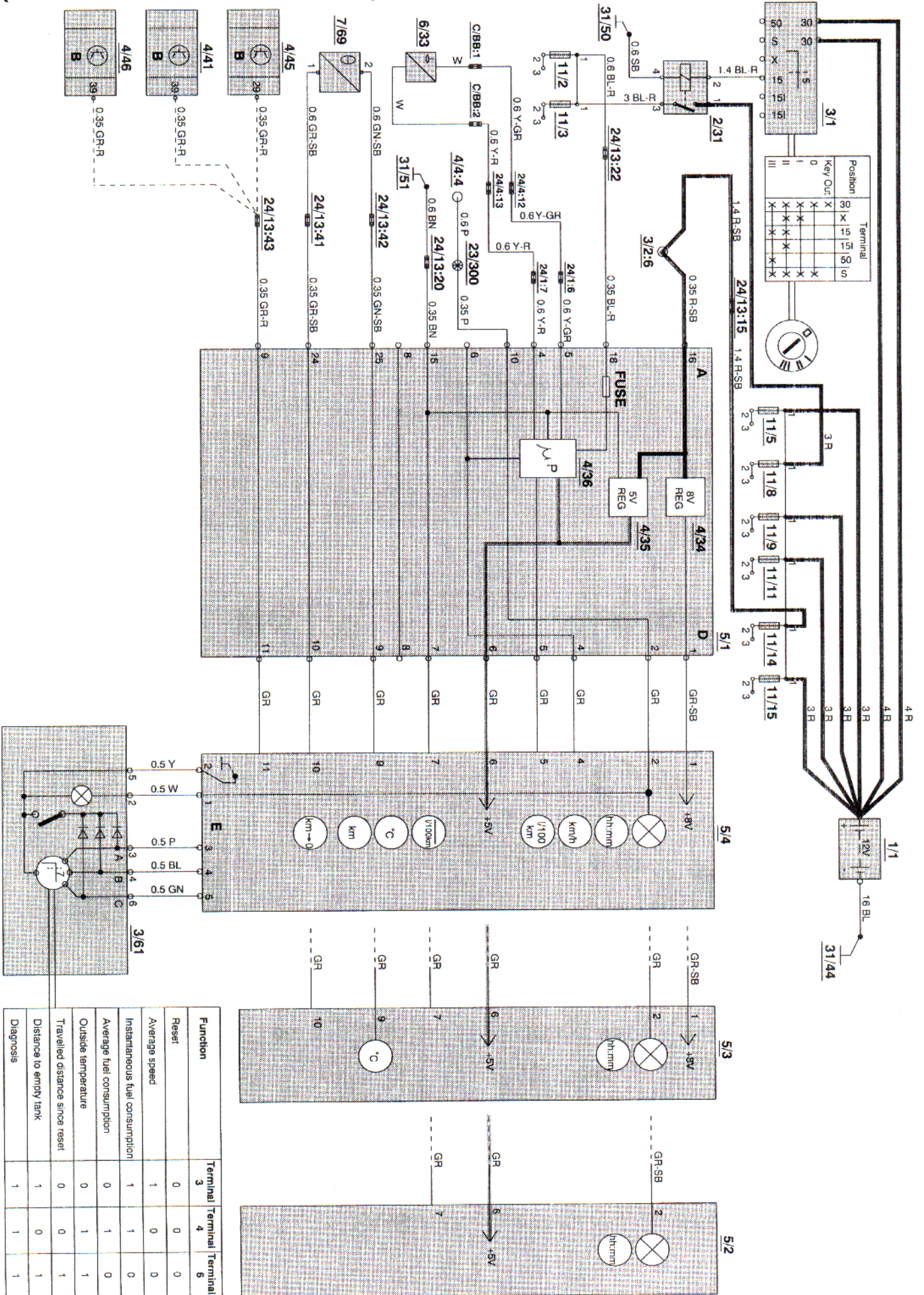
E 5-pole connector

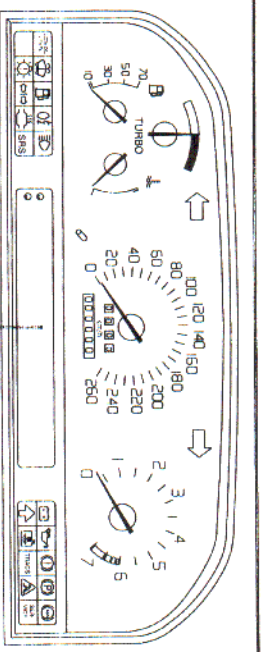
1	Rheostat instrument lighting (+)
2	Signal and lighting grounds (31/51)
3	Function signal
4	Function signal
5	Function signal

10/88	Indicator light, bulb failure warning sensor
10/89	Indicator lamp, rear fog lights
10/90	Washer level warning lamp
10/91	Service warning
10/92	Indicator lamp, trailer
10/105	Fuel level warning lamp
10/106	Malfunction Indicator Lamp (MIL) warning lamp
10/107	TRACS warning lamp
10/110	Coolant level warning lamp
10/117	Oil level warning lamp

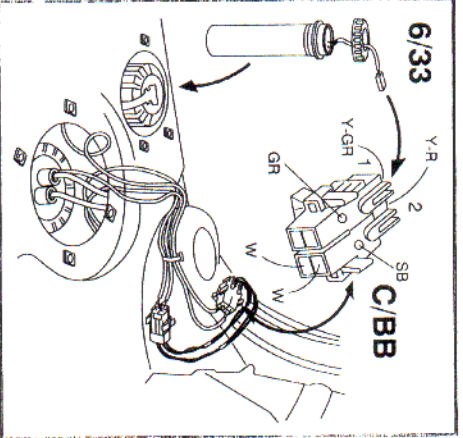


Clock module/ambient temperature and clock module/trip computer (Combined instrument VDO)



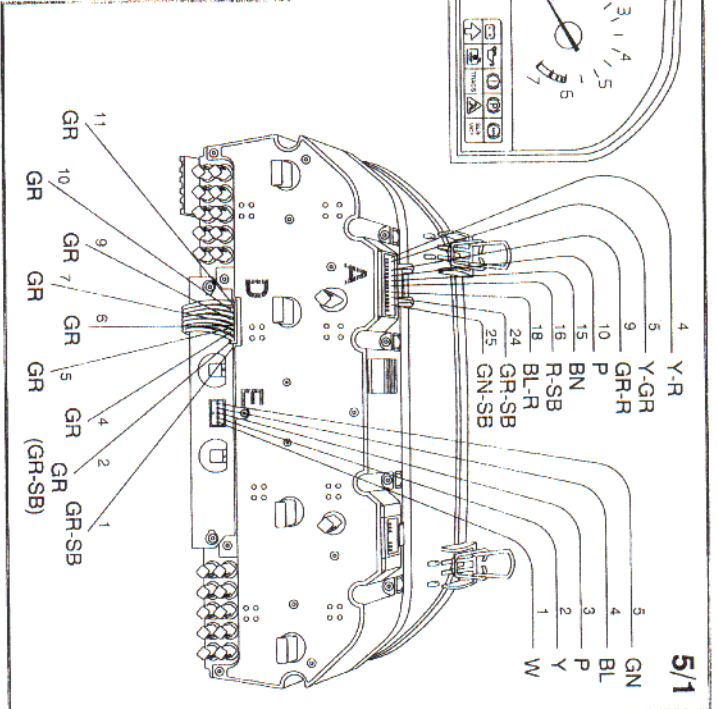
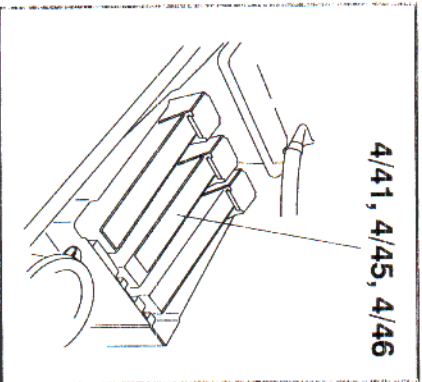


5/2, 5/3, 5/4

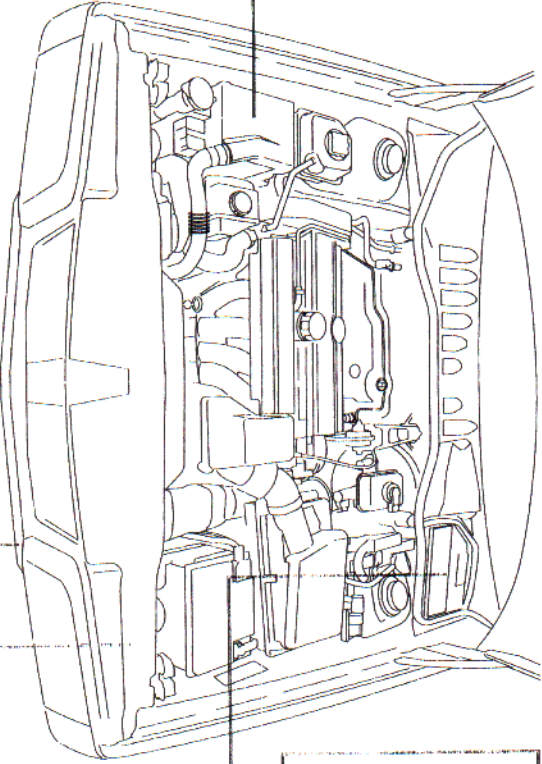


6/33

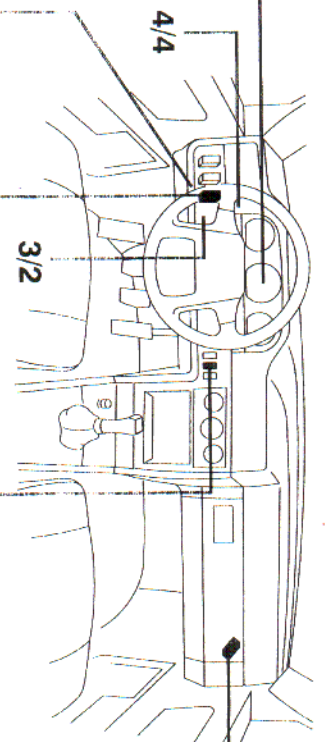
4/41, 4/45, 4/46



5/1

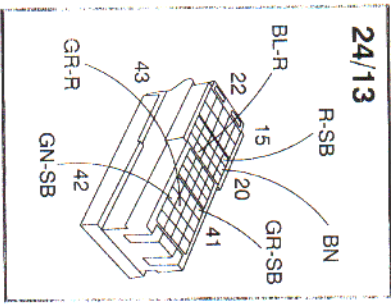


31/44

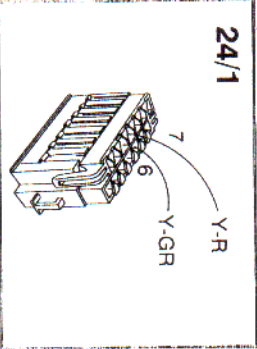


4/4

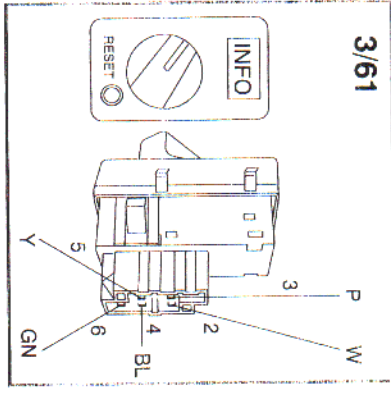
3/2



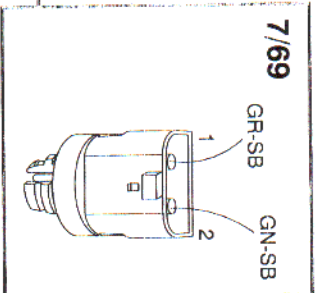
24/13



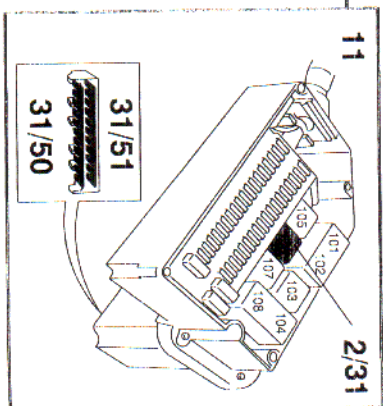
24/1



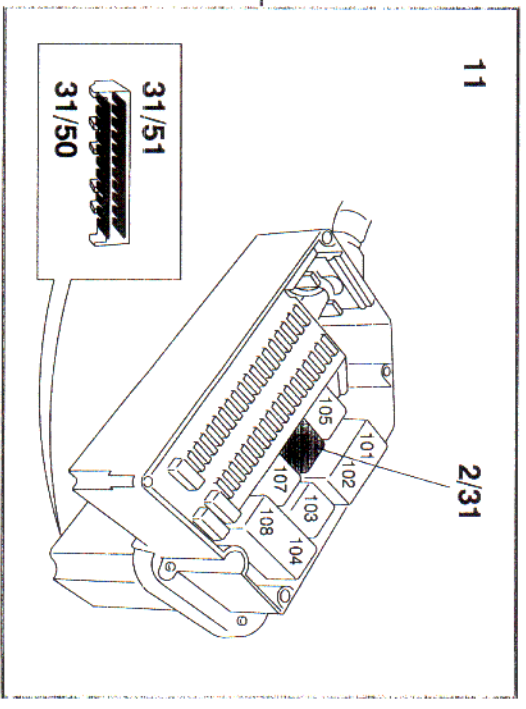
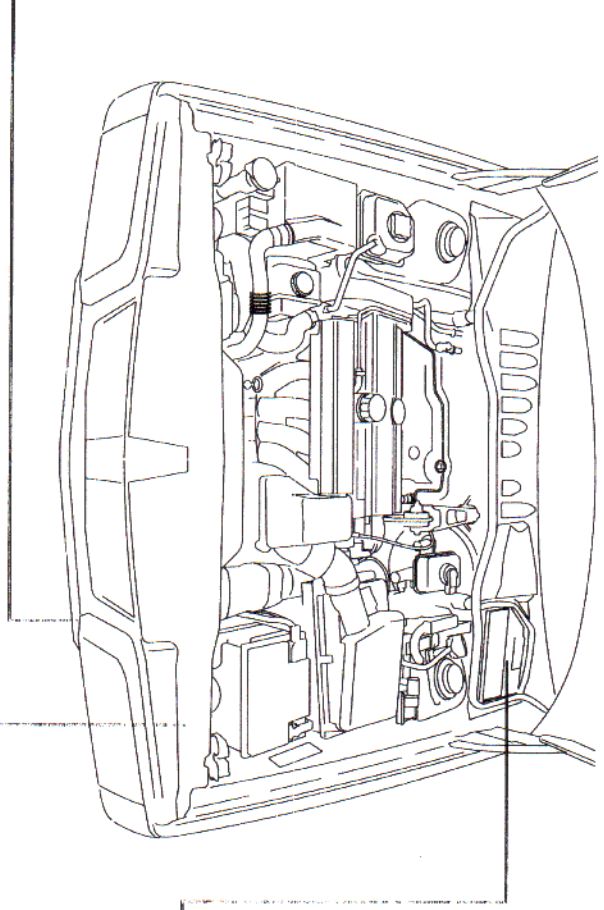
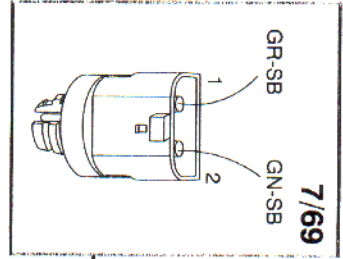
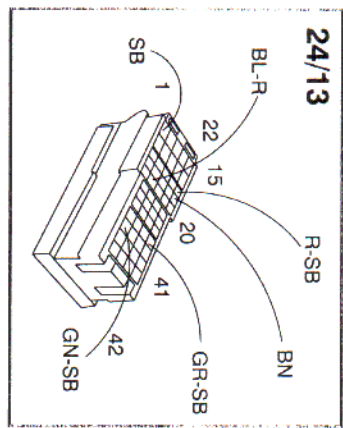
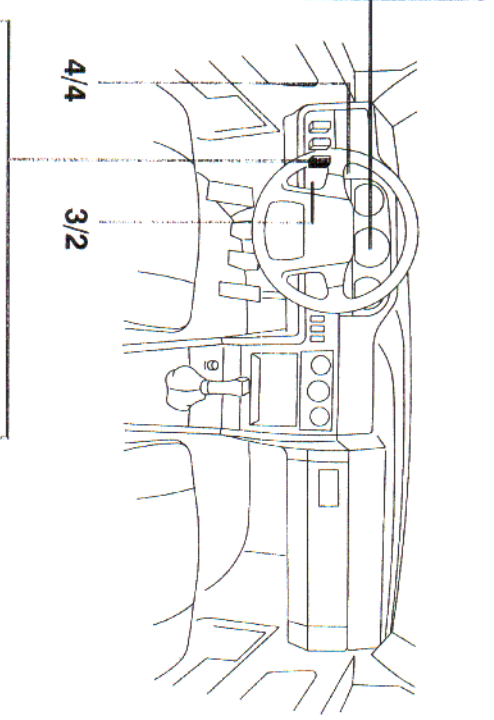
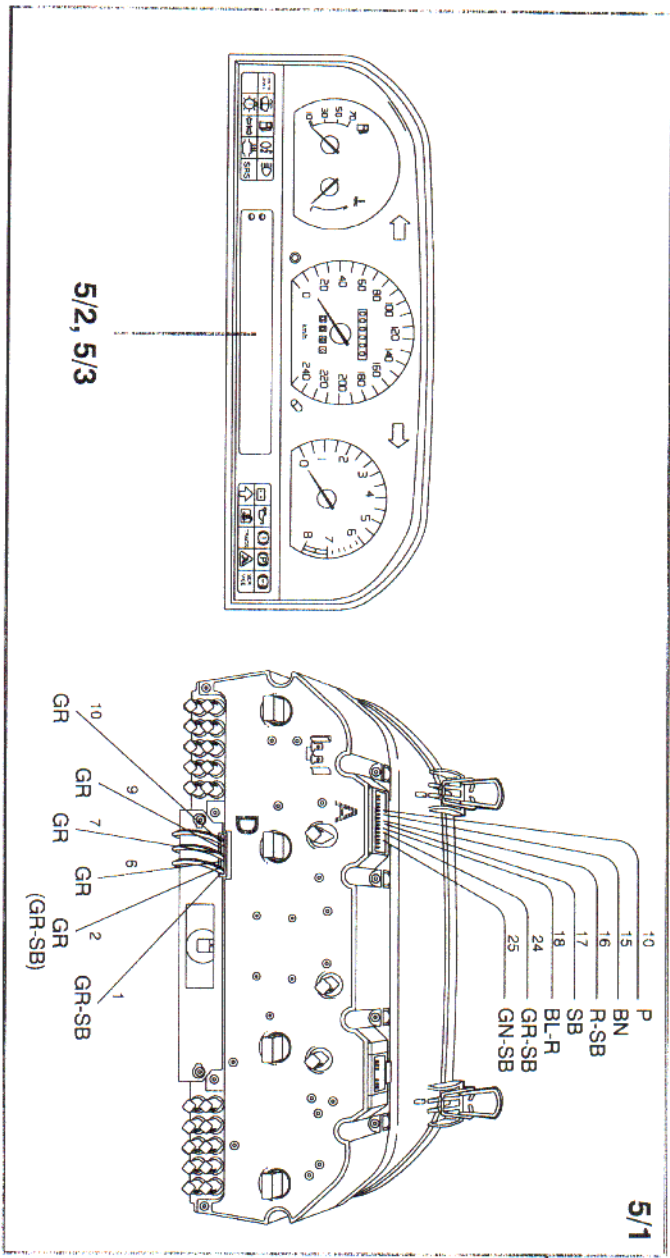
3/61



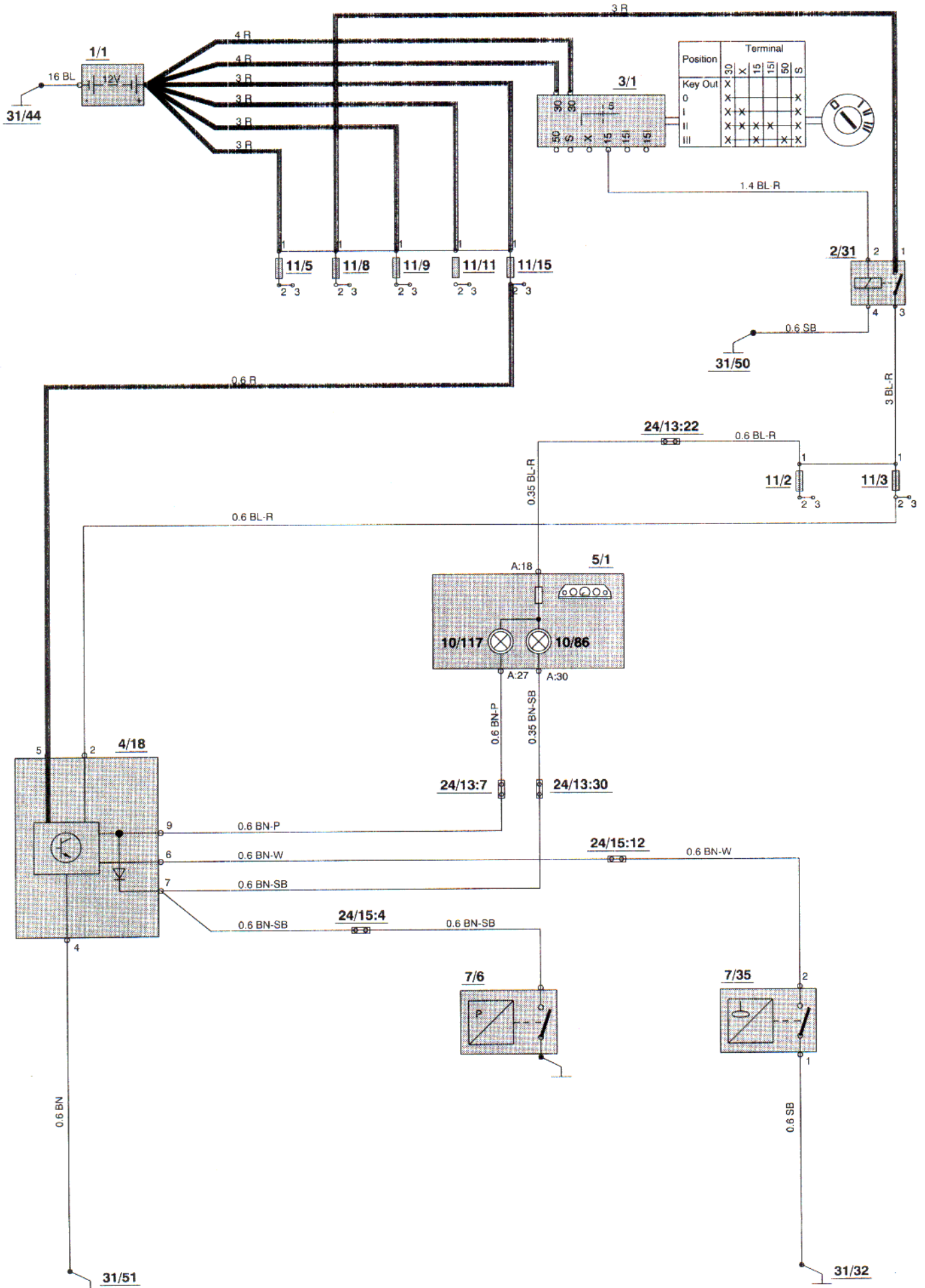
7/69

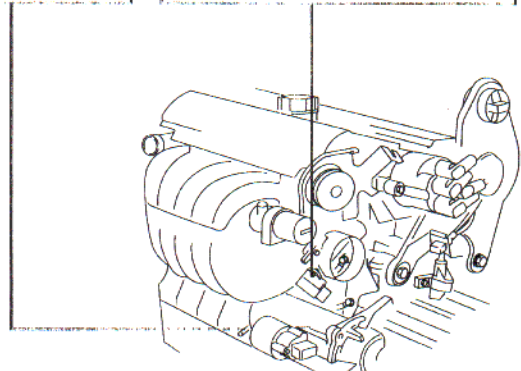
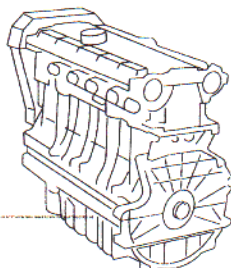
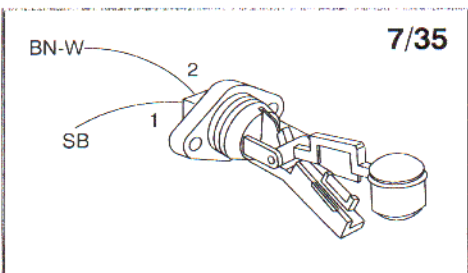
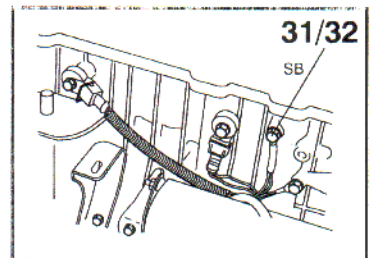
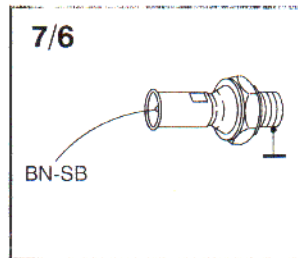
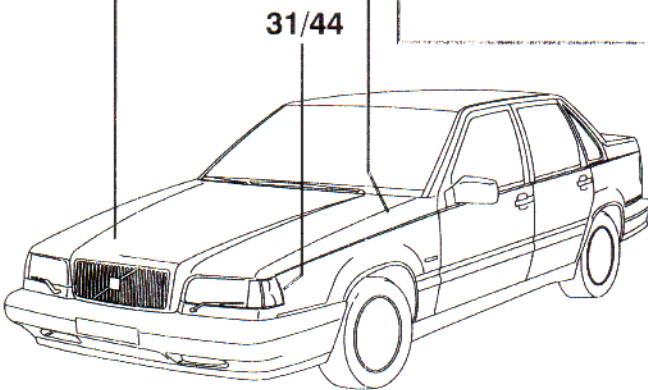
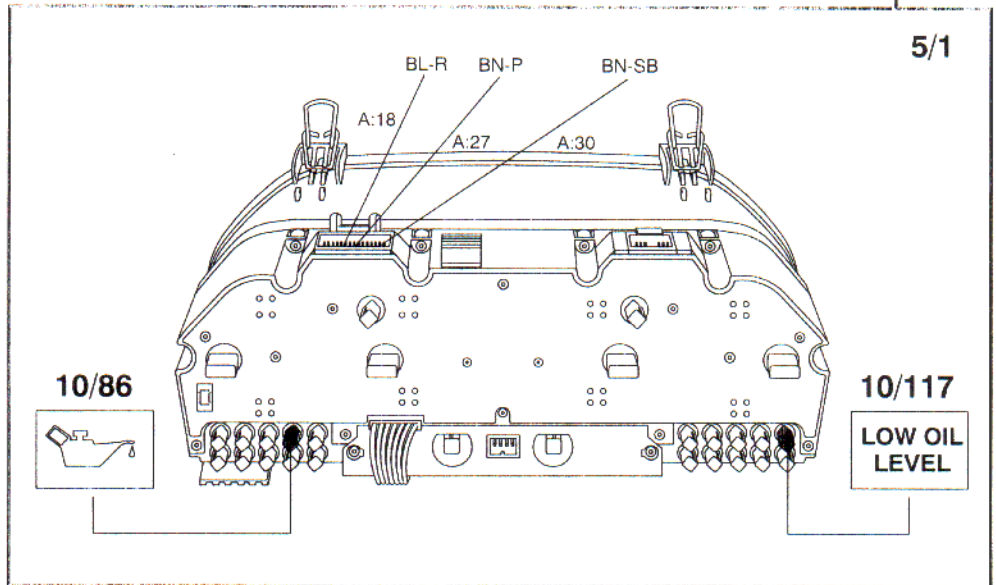
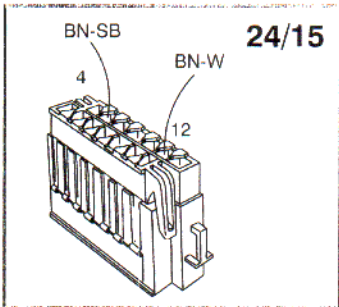
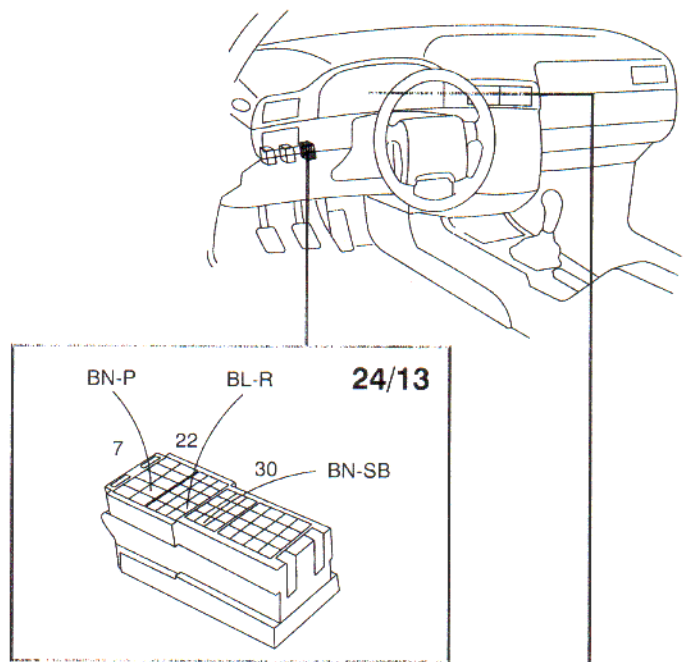
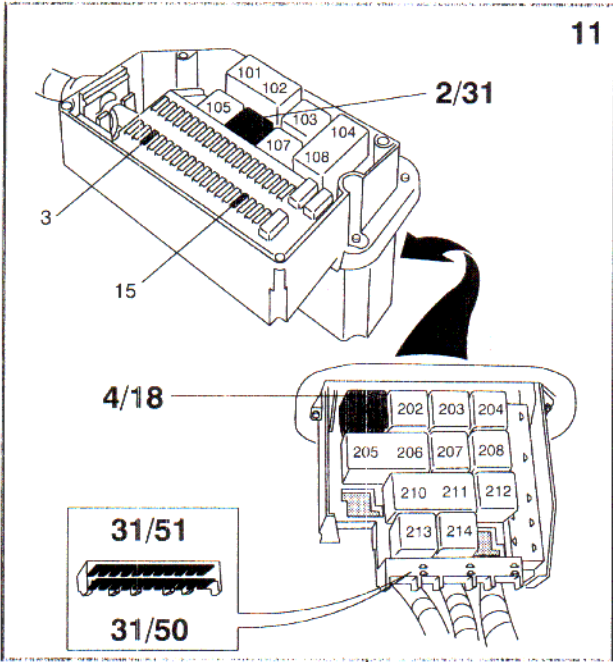


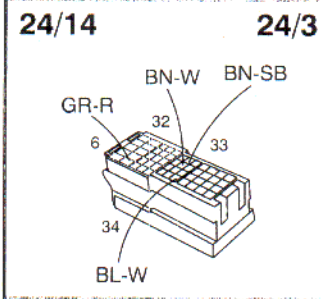
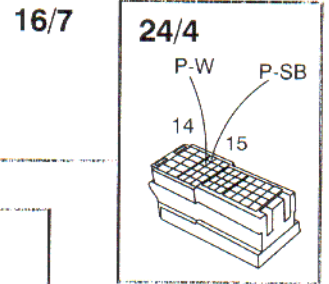
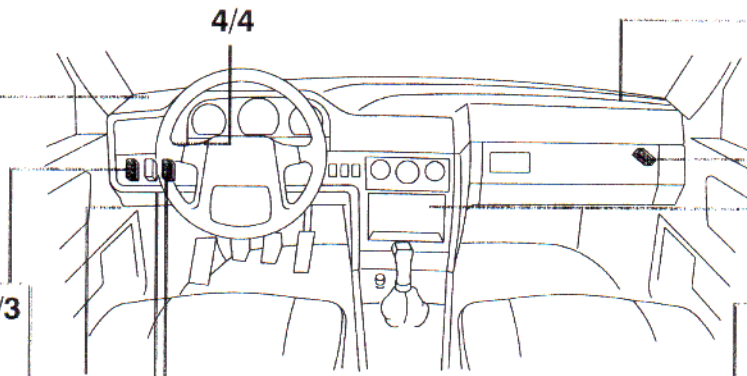
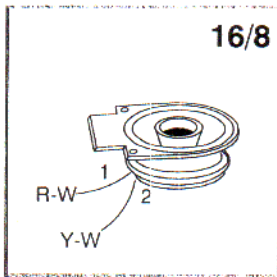
11



Oil level and oil pressure sensors

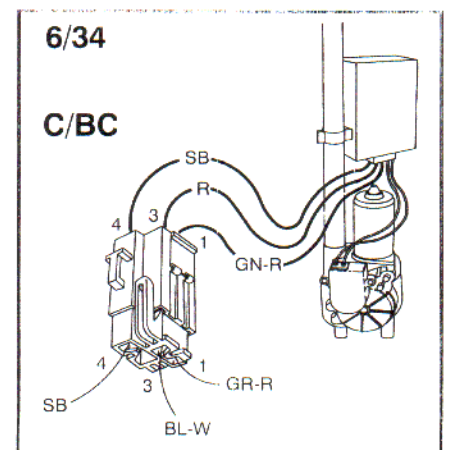
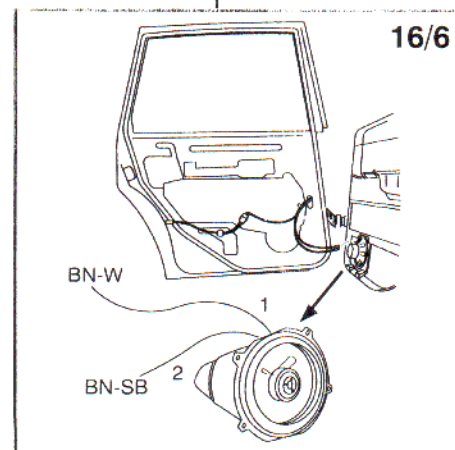
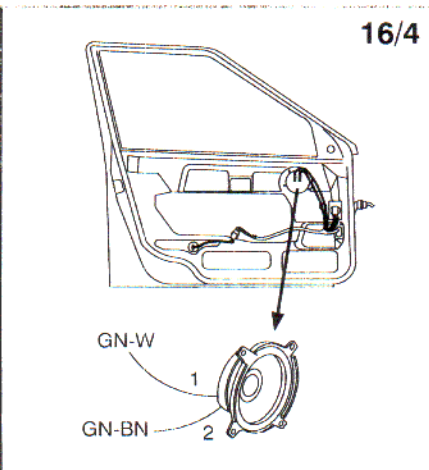
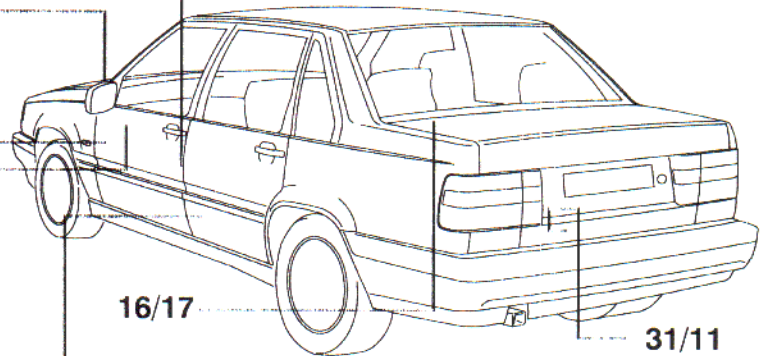
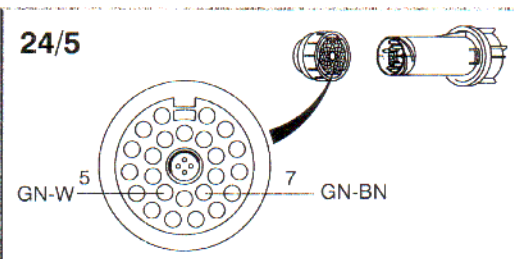
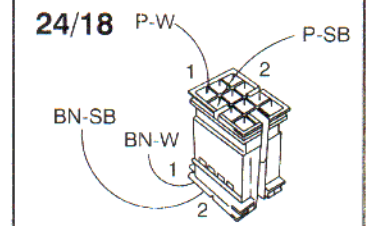
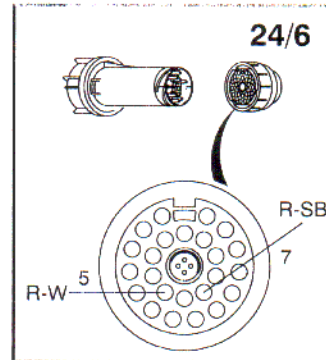
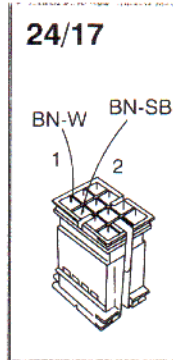
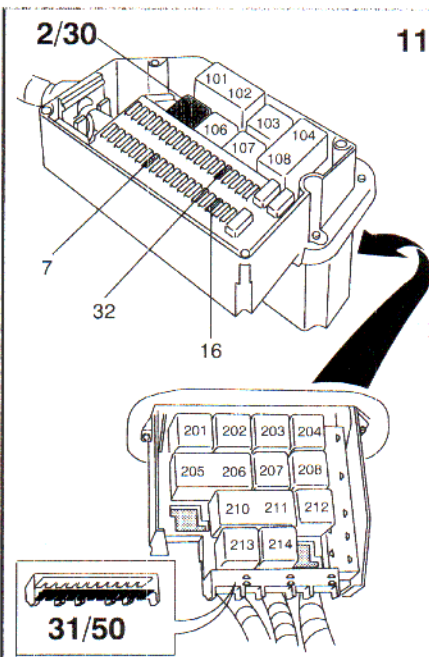
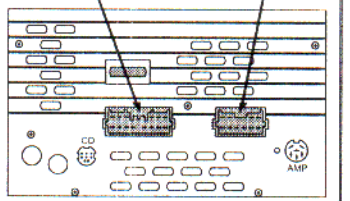
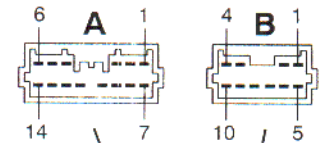
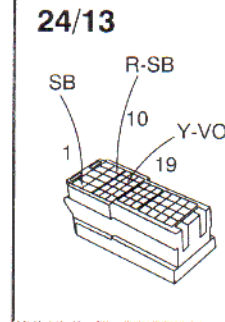
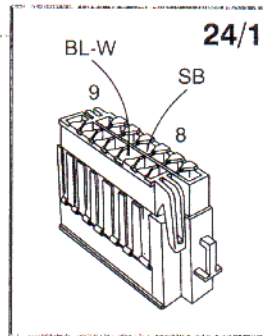




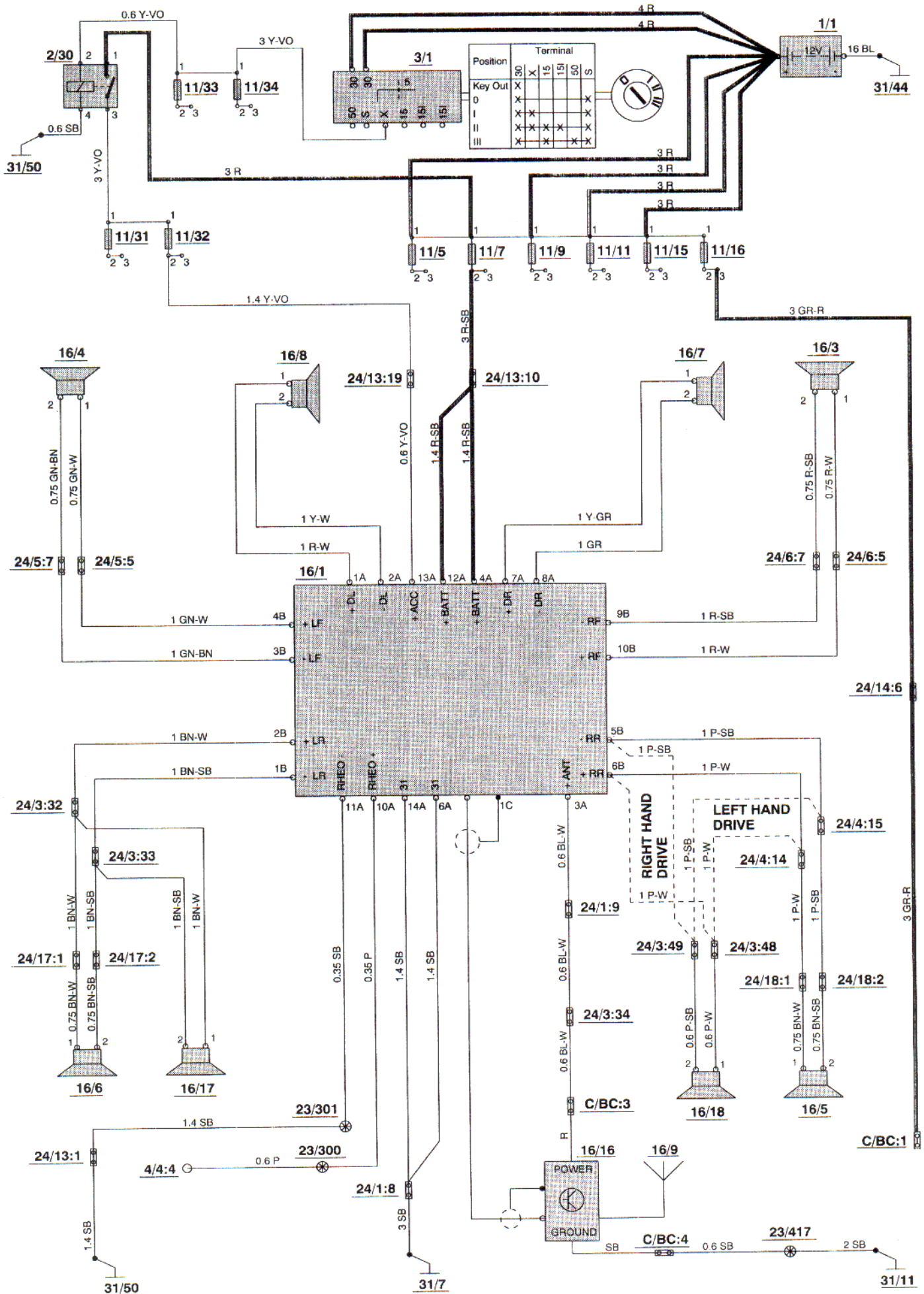


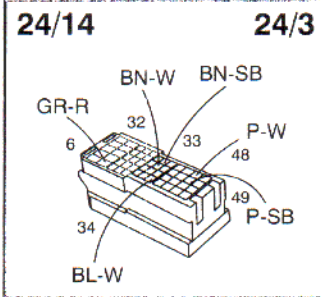
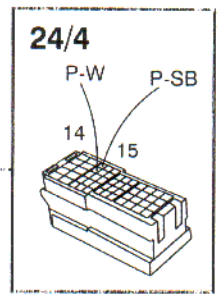
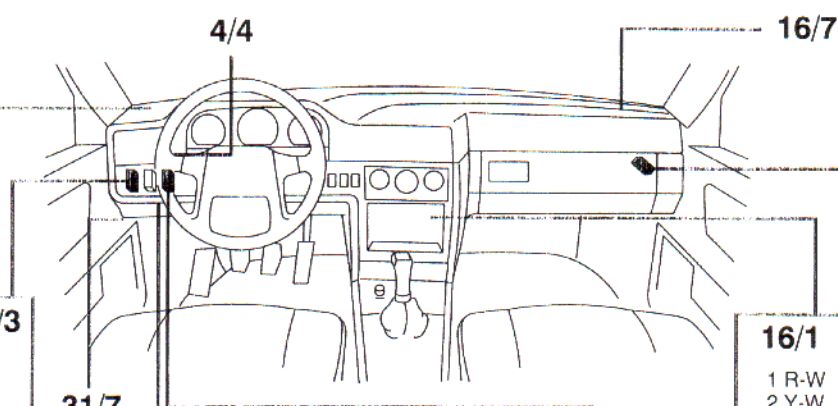
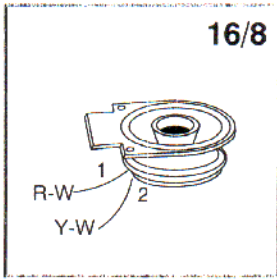
31/7

- 16/1**
- | | | |
|--------|---------|---------|
| 1 R-W | 8 GR | 1 BN-SB |
| 2 Y-W | 9 - | 2 BN-W |
| 3 BL-W | 10 P | 3 GN-BN |
| 4 R-SB | 11 SB | 4 GN-W |
| 5 - | 12 R-SB | 5 P-SB |
| 6 SB | 13 Y-VO | 6 P-W |
| 7 Y-GR | 14 SB | 7 - |
| | | 8 - |
| | | 9 R-SB |
| | | 10 R-W |

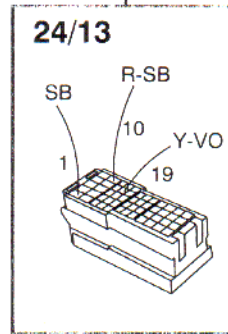
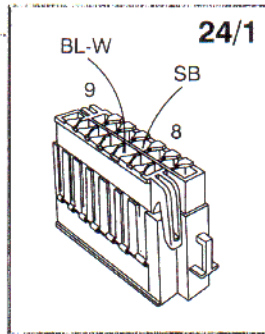


Radio, 5-door

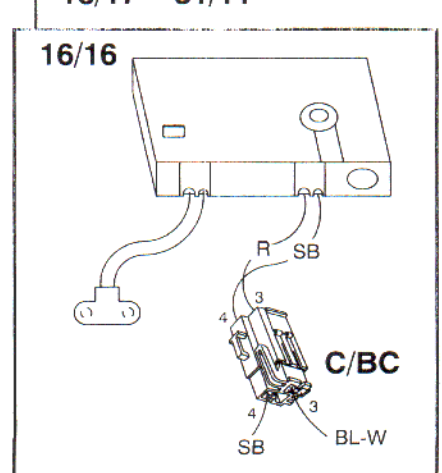
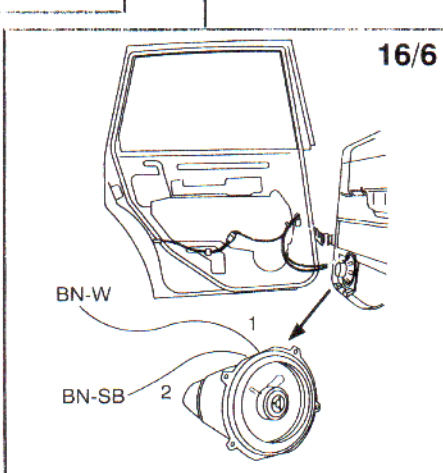
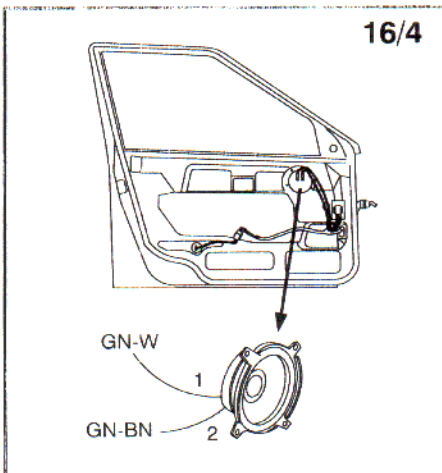
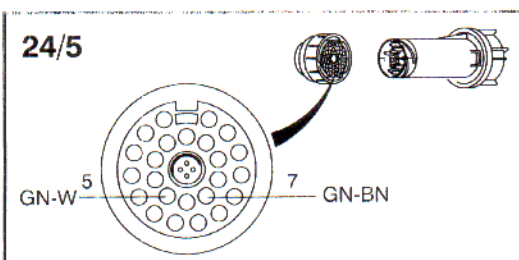
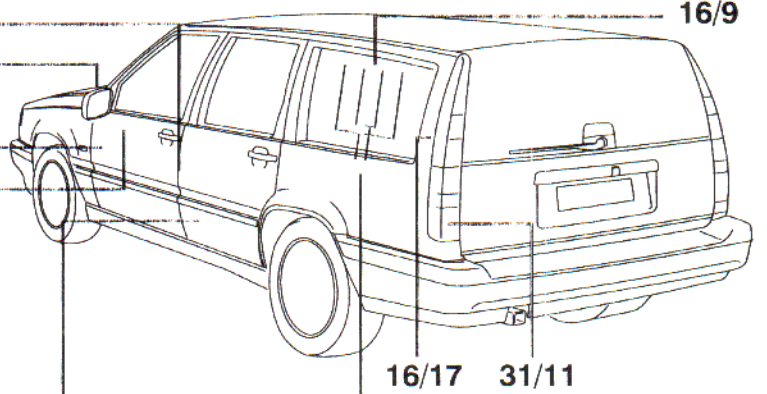
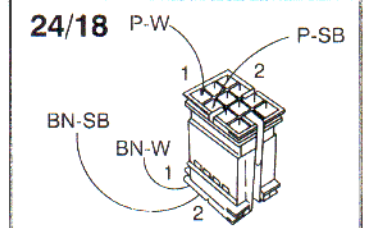
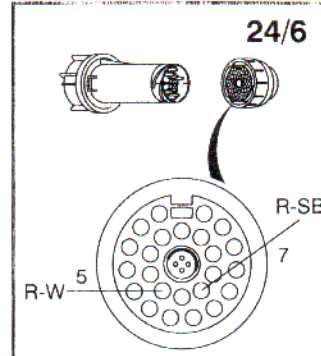
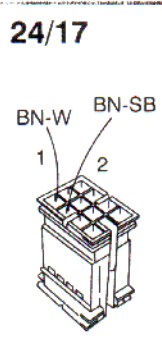
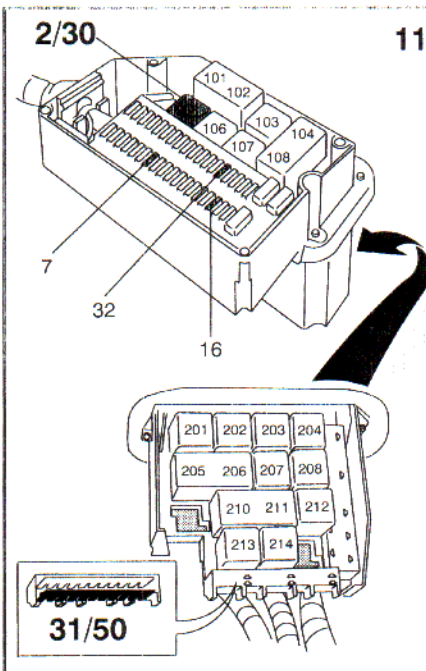
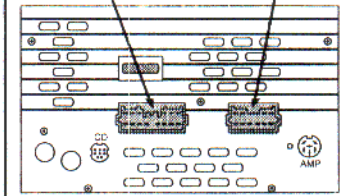
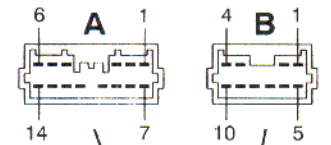


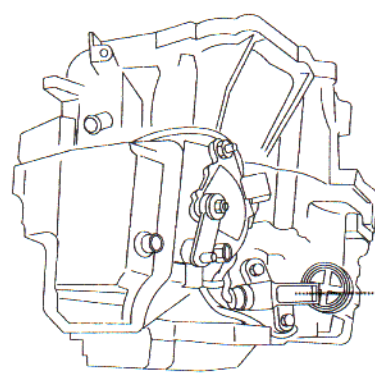
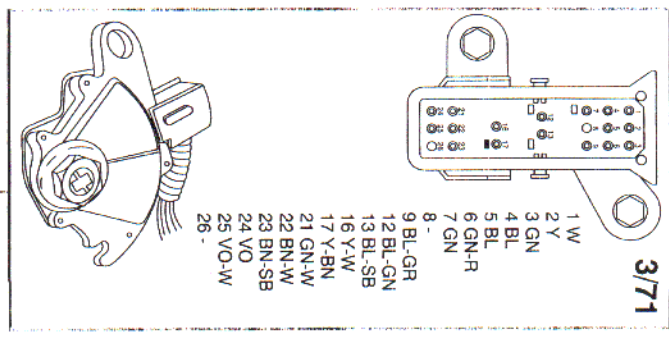
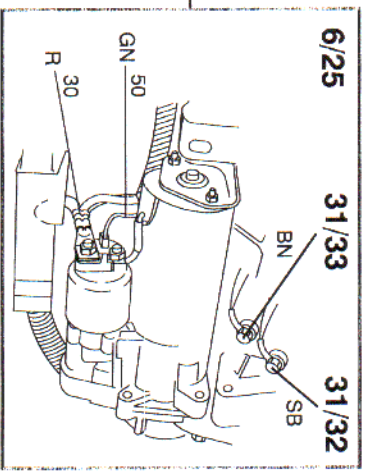
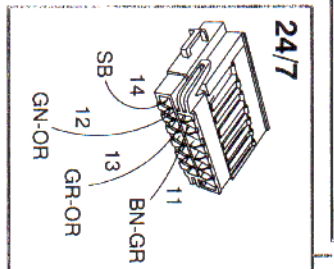
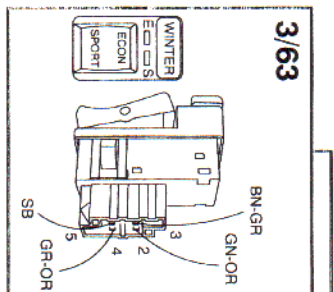
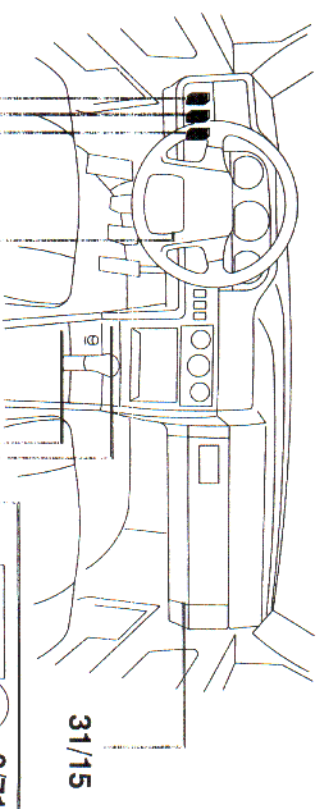
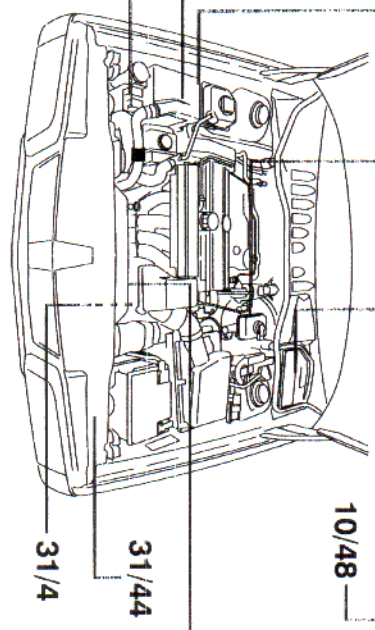
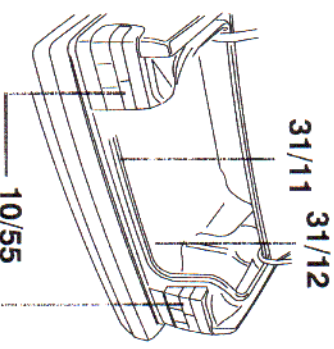
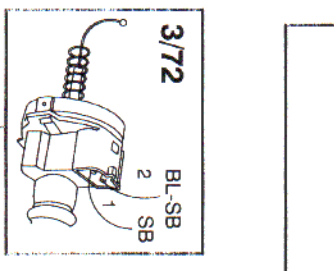
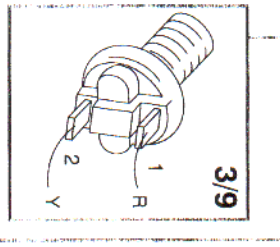
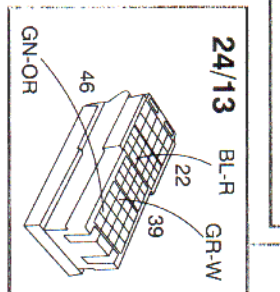
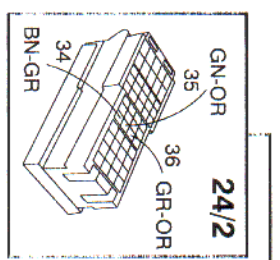
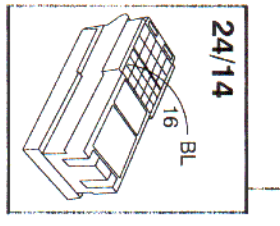
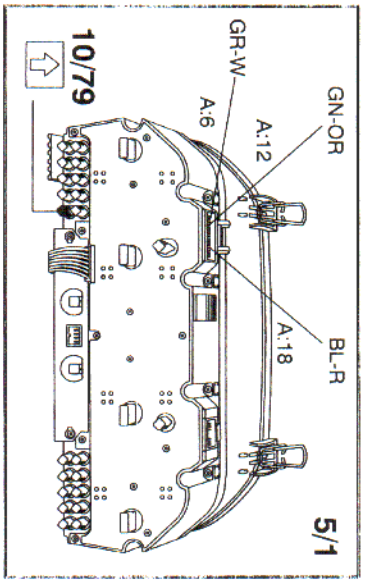
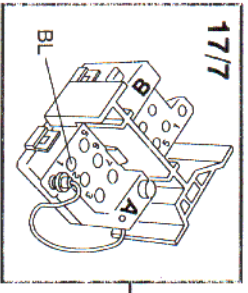
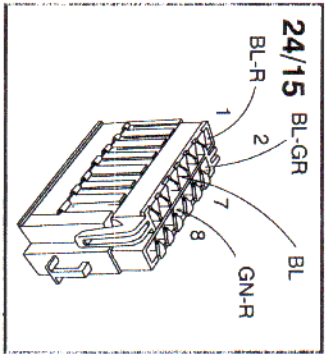
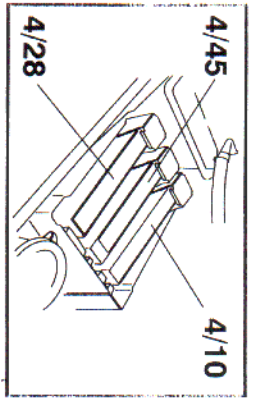
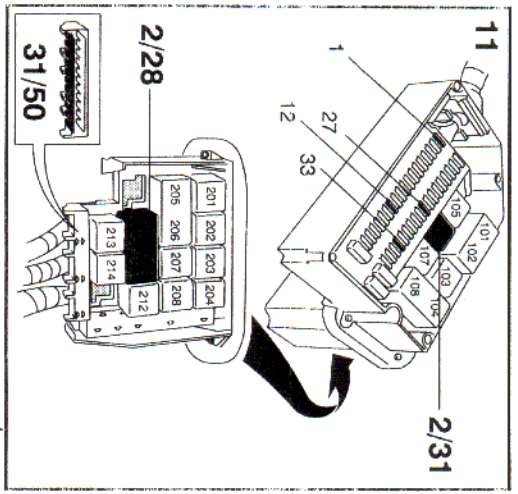


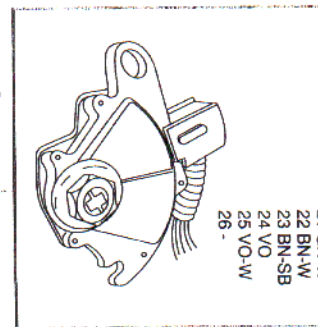
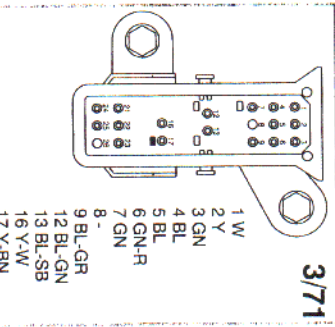
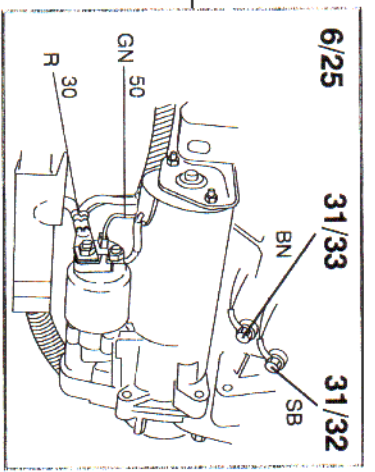
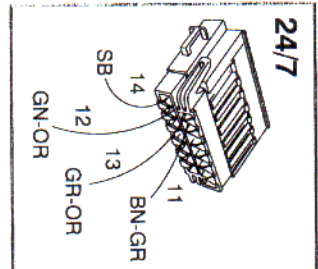
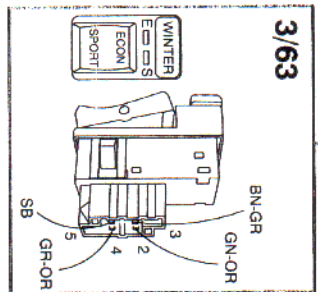
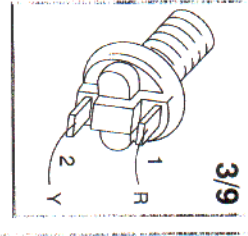
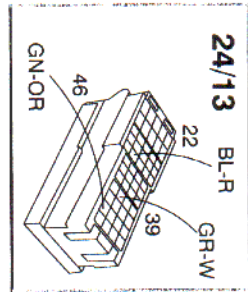
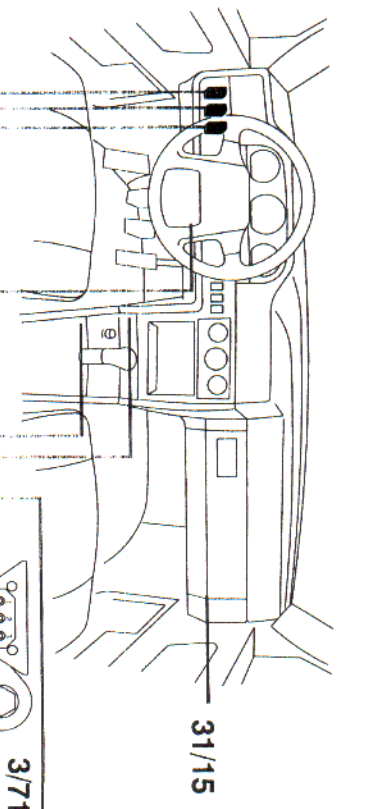
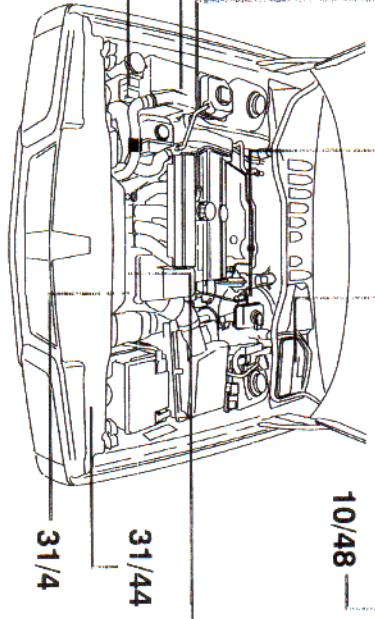
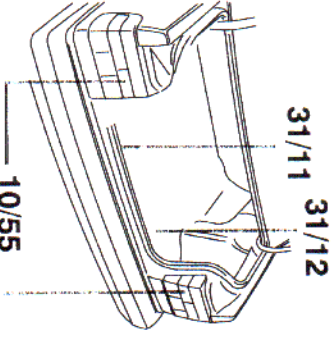
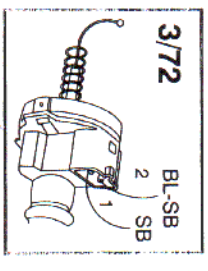
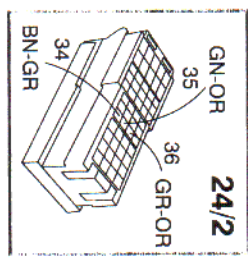
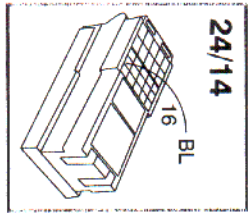
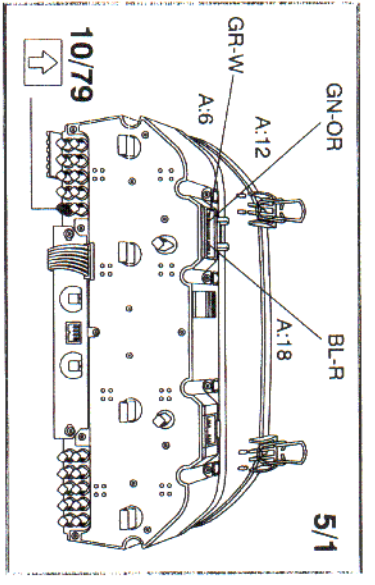
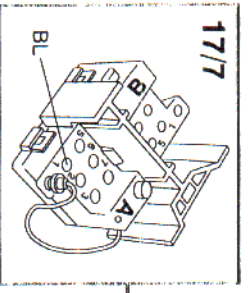
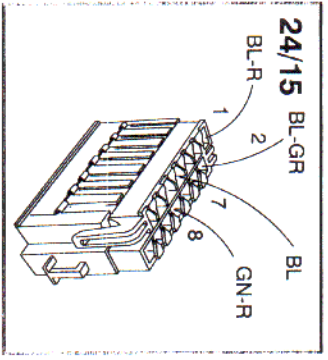
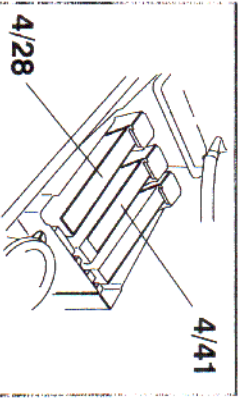
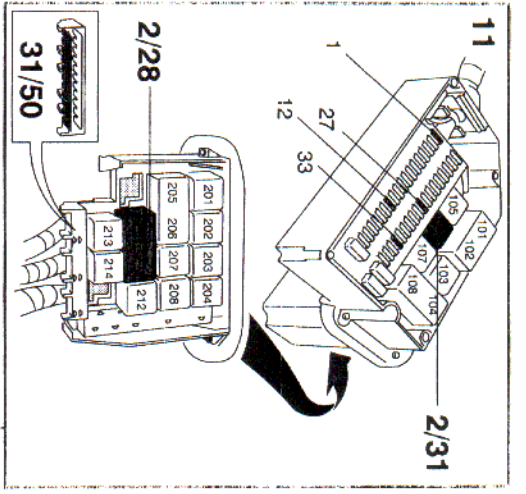
31/7

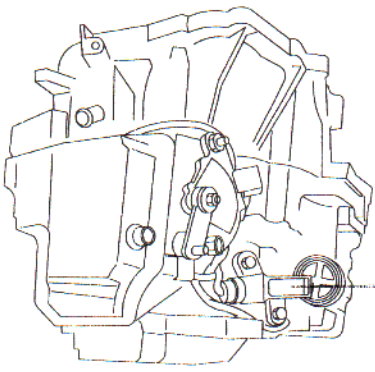
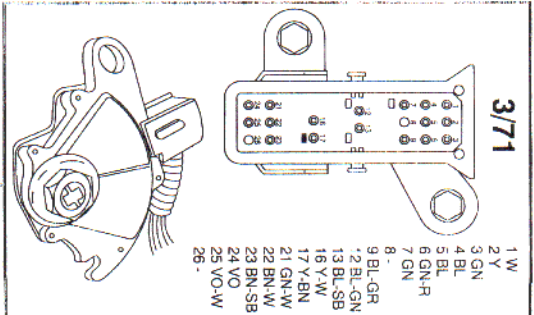
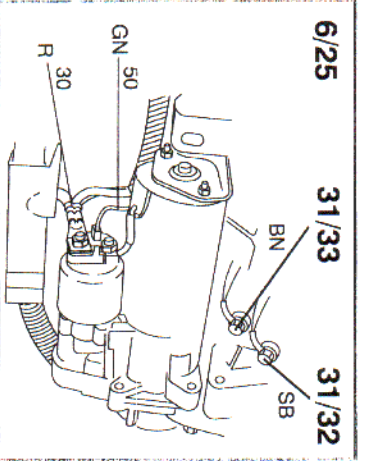
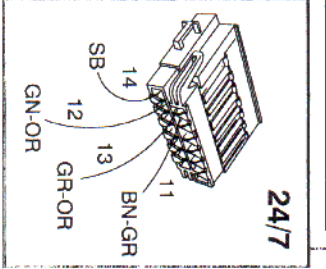
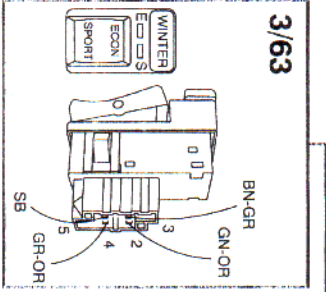
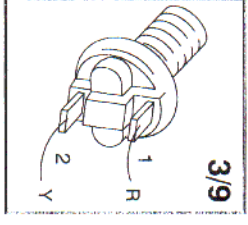
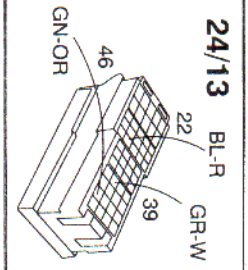
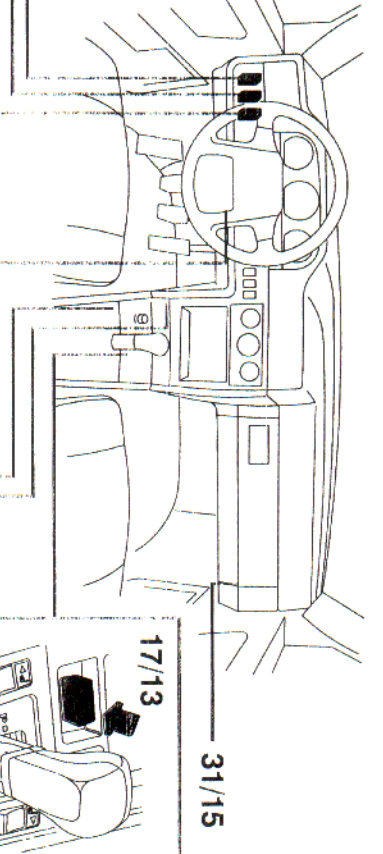
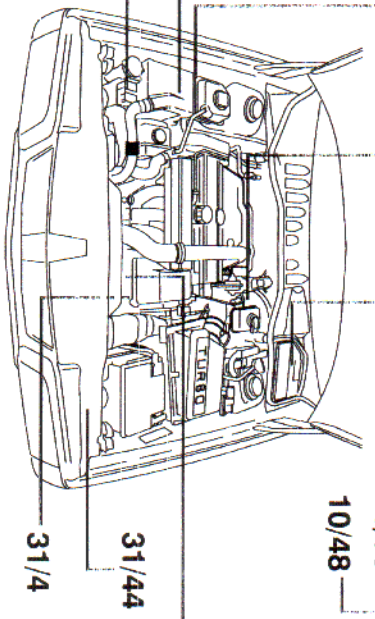
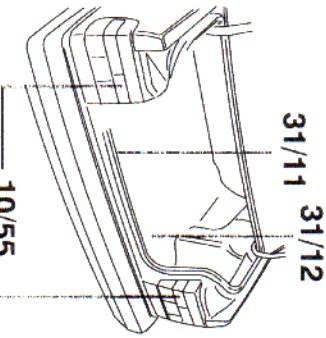
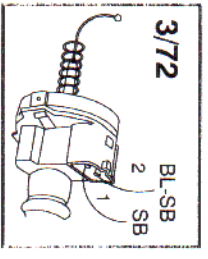
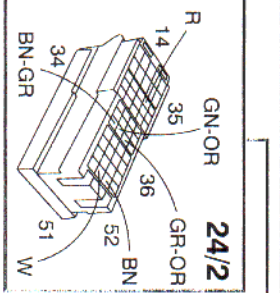
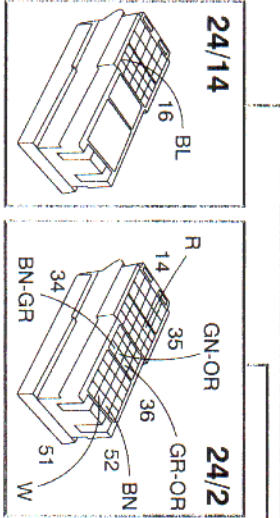
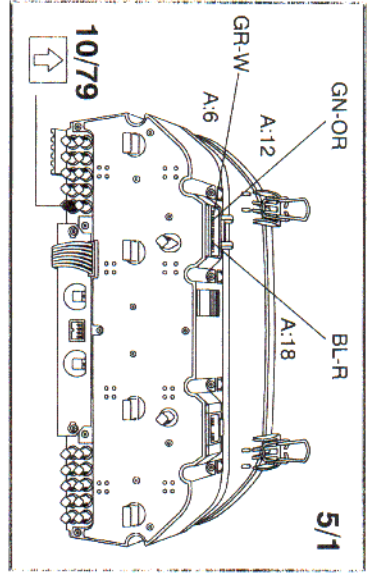
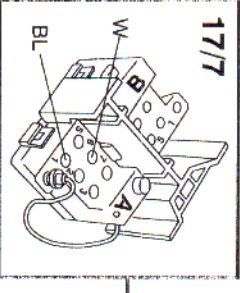
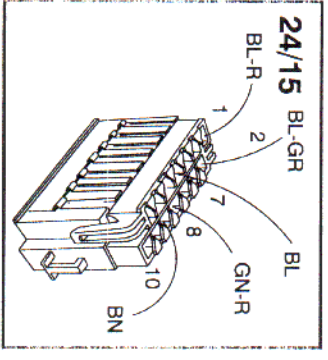
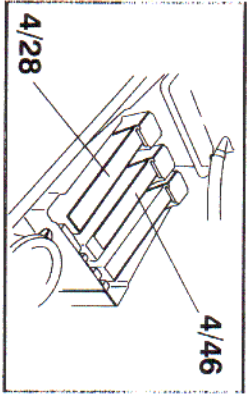
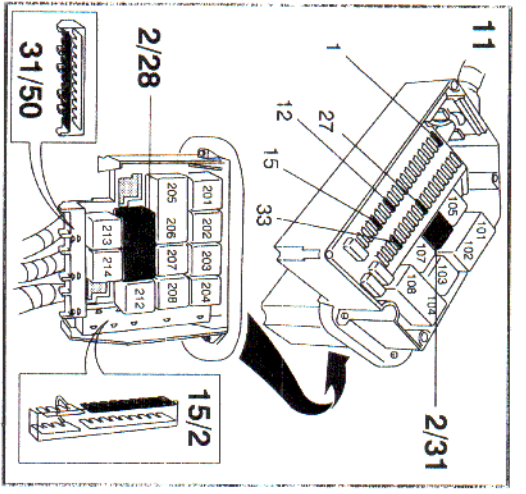


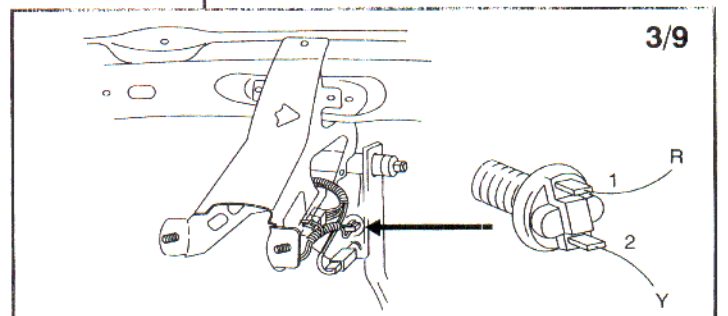
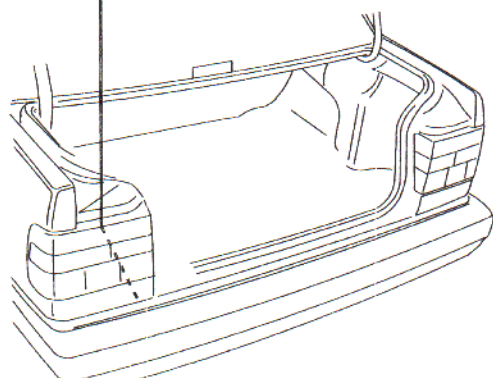
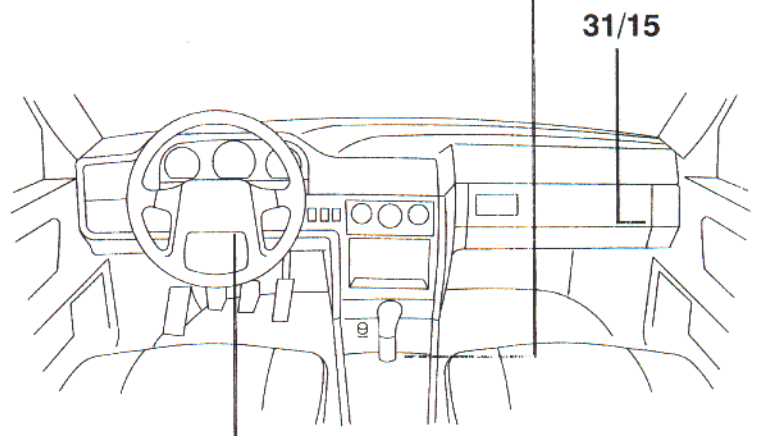
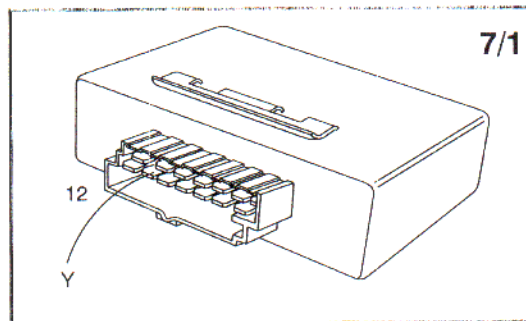
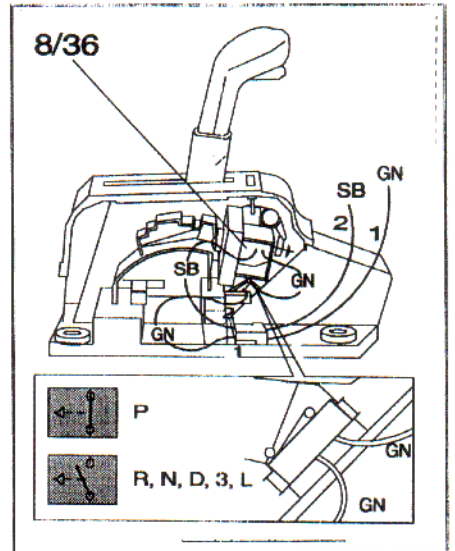
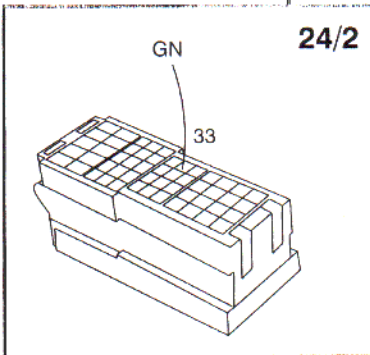
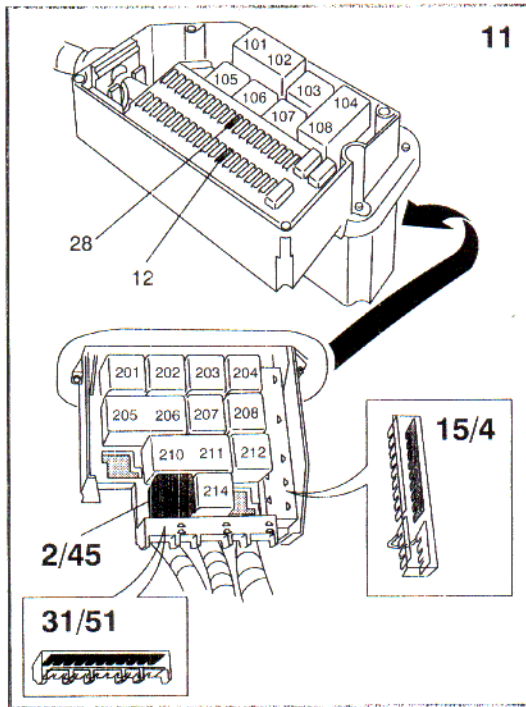
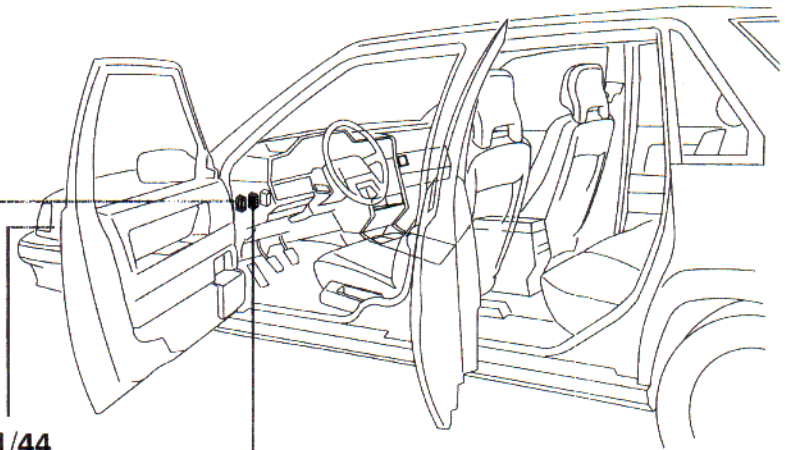
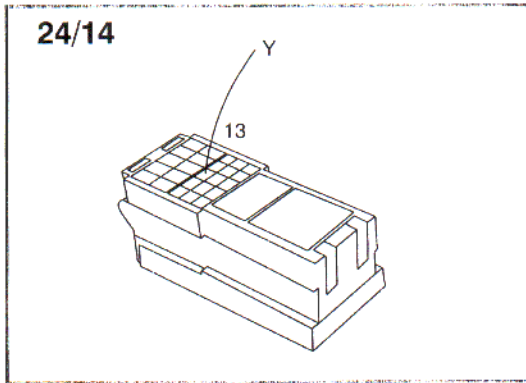
- 16/1**
- | | | |
|--------|---------|---------|
| 1 R-W | 8 GR | 1 BN-SB |
| 2 Y-W | 9 - | 2 BN-W |
| 3 BL-W | 10 P | 3 GN-BN |
| 4 R-SB | 11 SB | 4 GN-W |
| 5 - | 12 R-SB | 5 P-SB |
| 6 SB | 13 Y-VO | 6 P-W |
| 7 Y-GR | 14 SB | 7 - |
| | | 8 - |
| | | 9 R-SB |
| | | 10 R-W |



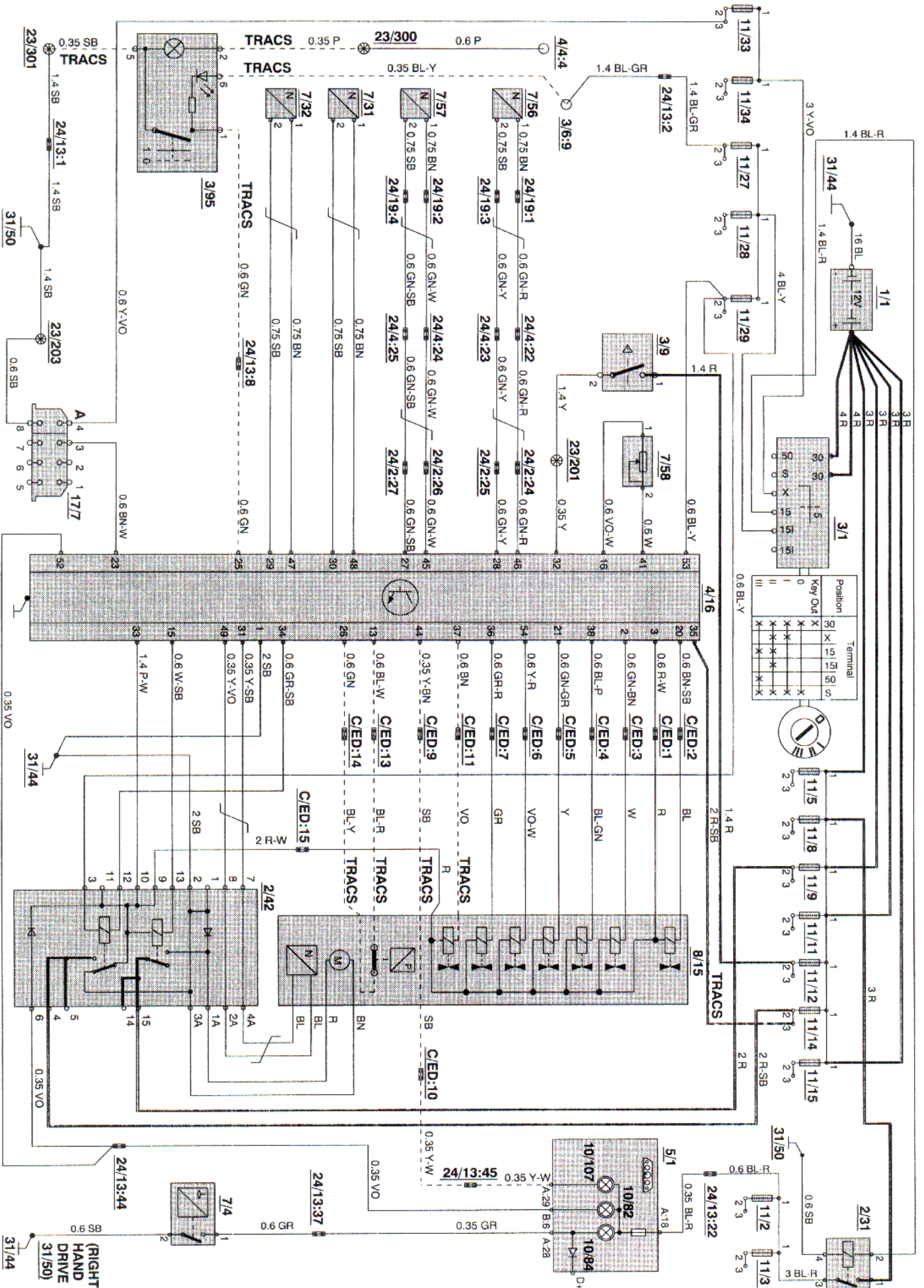


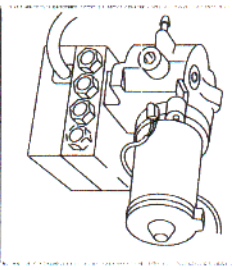
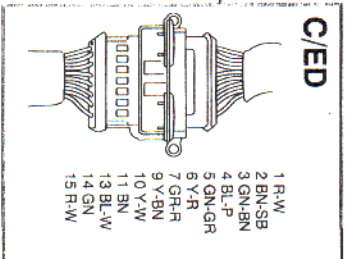
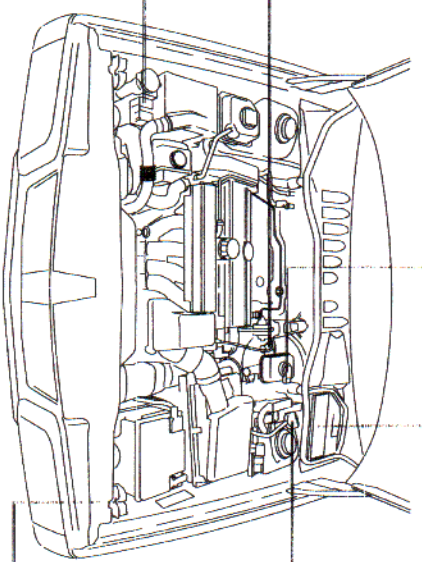
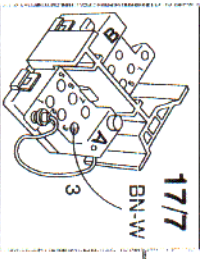
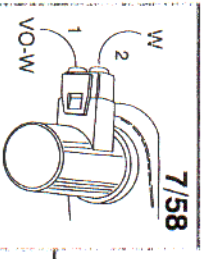
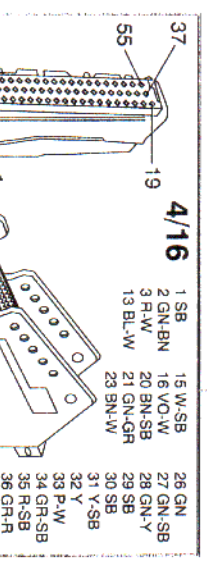
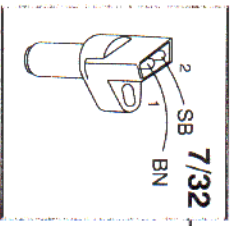
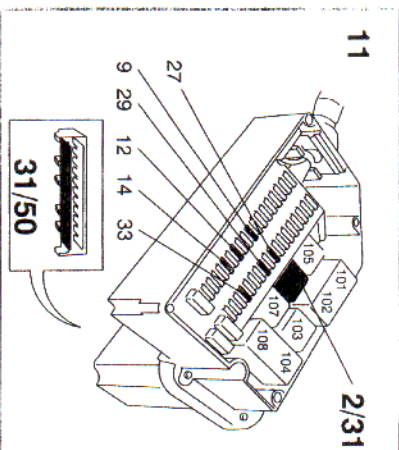
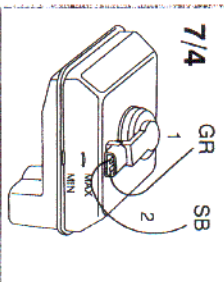
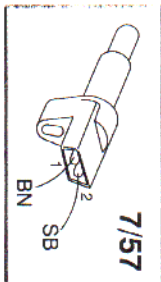
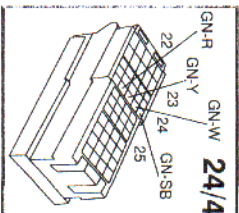
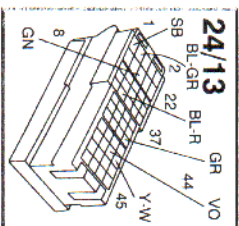
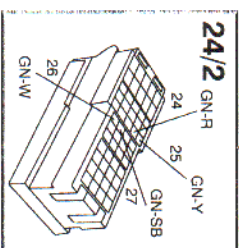
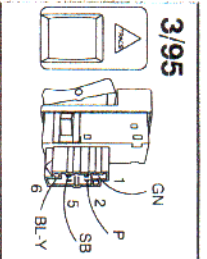
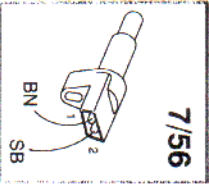
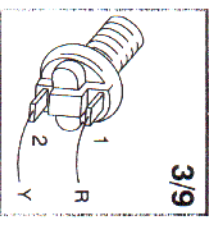
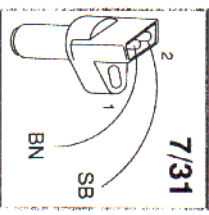
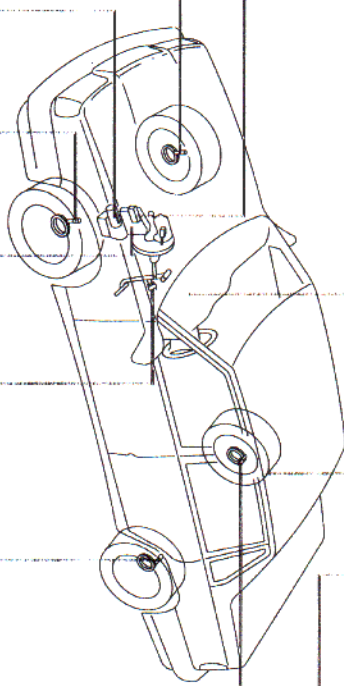
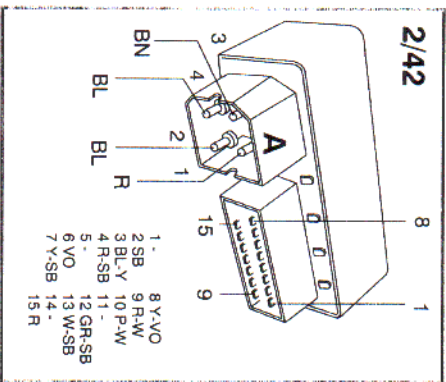
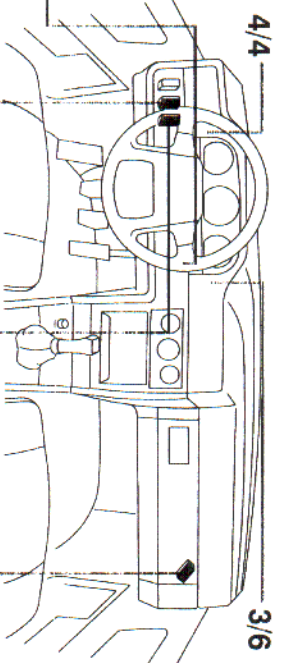
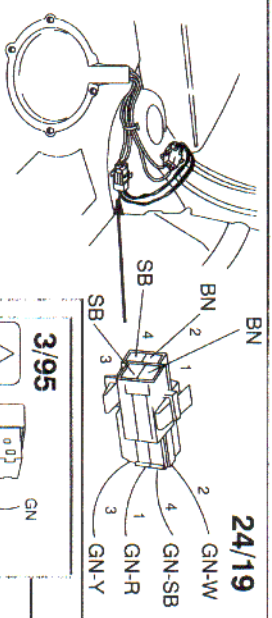
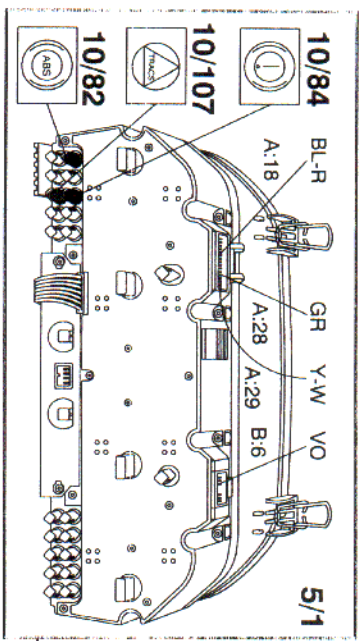


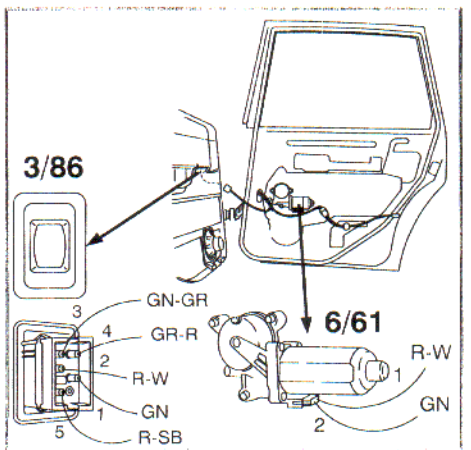
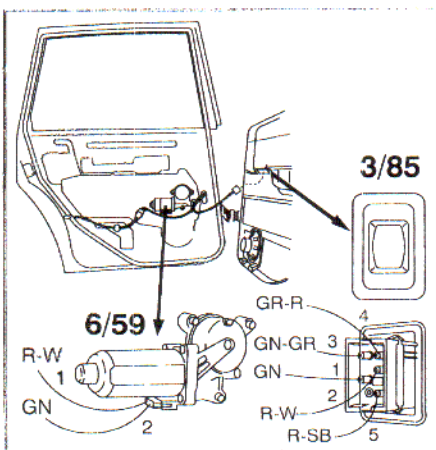
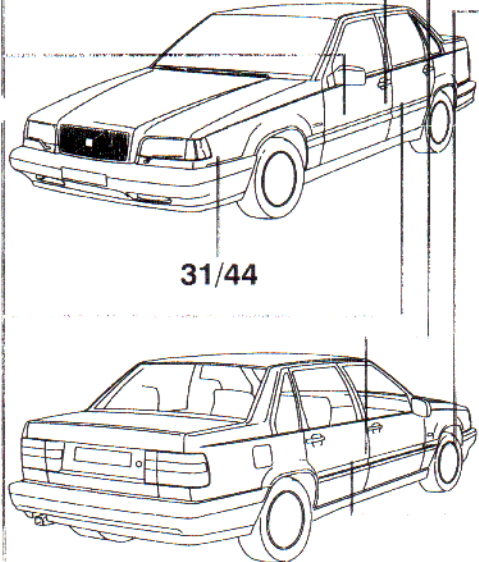
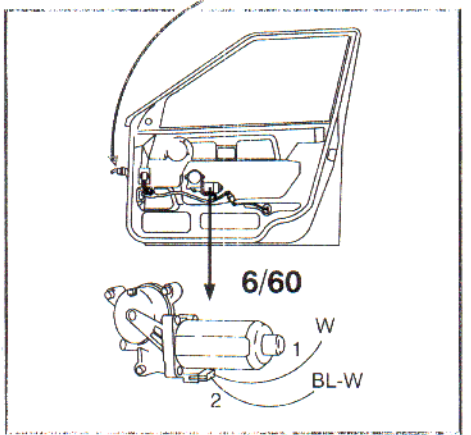
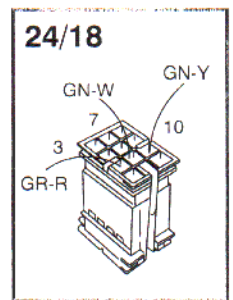
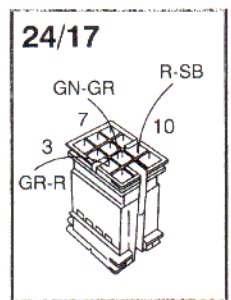
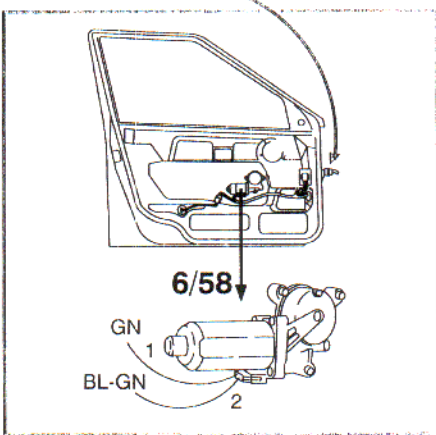
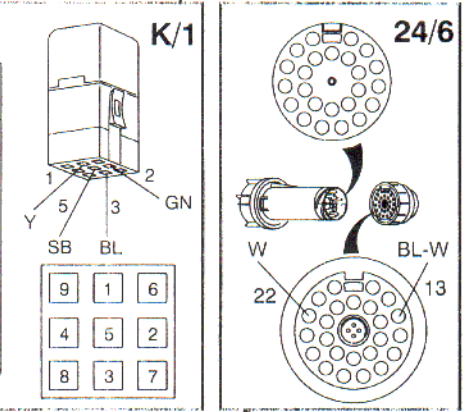
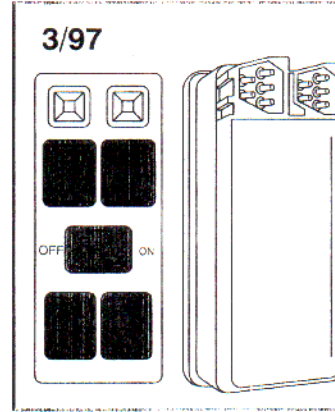
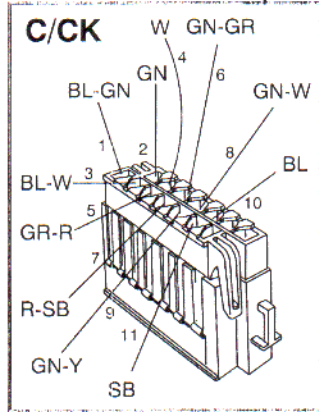
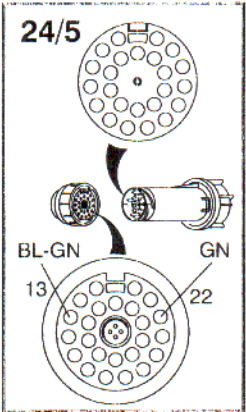
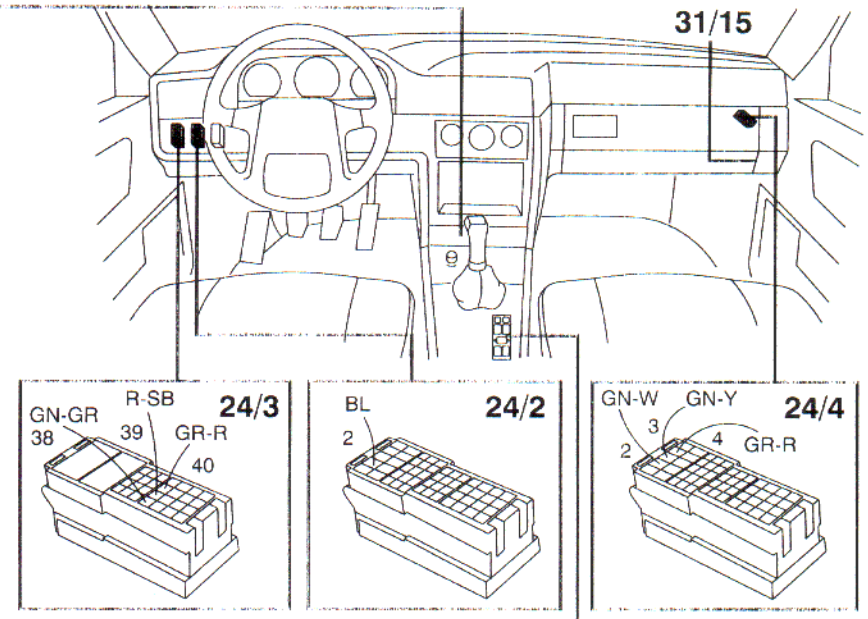
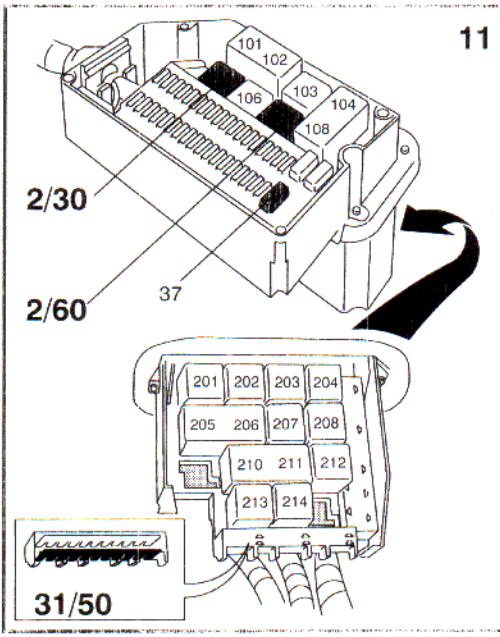


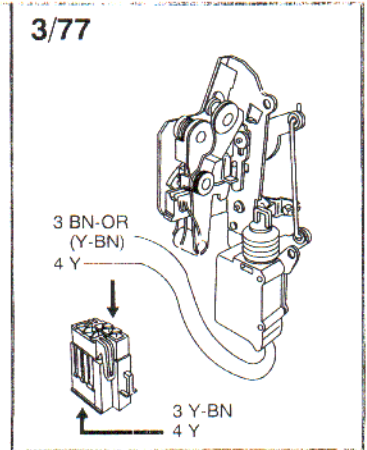
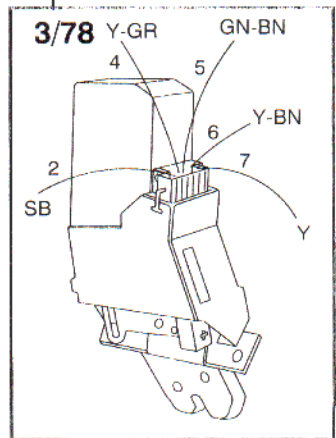
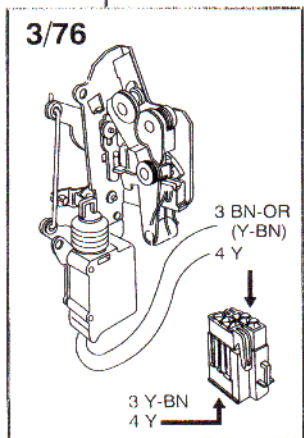
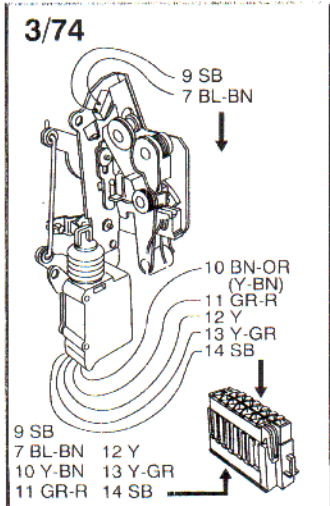
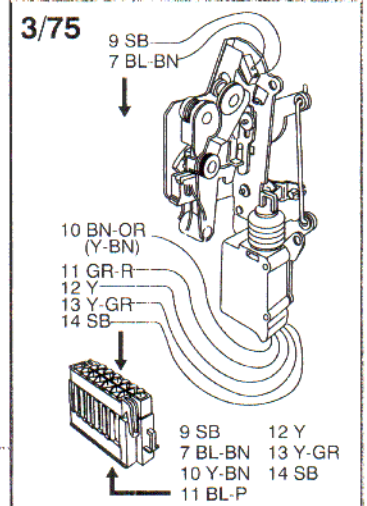
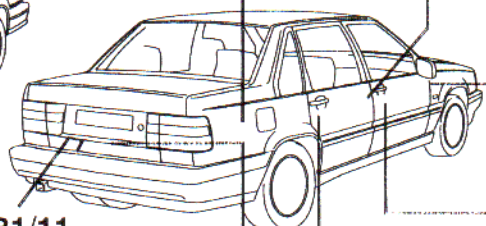
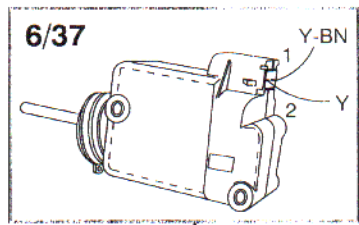
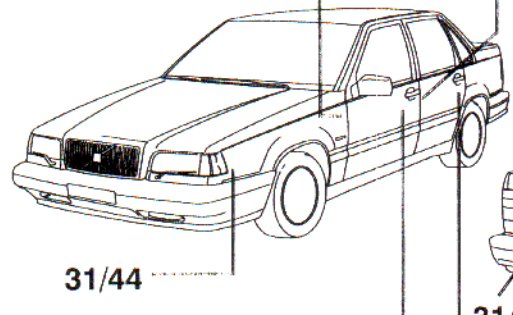
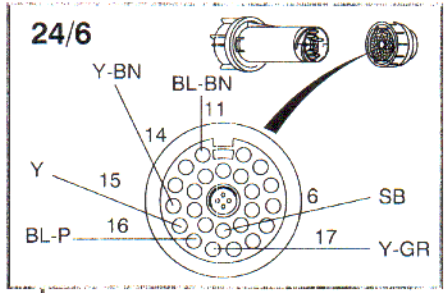
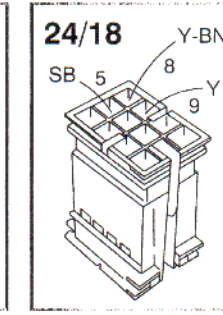
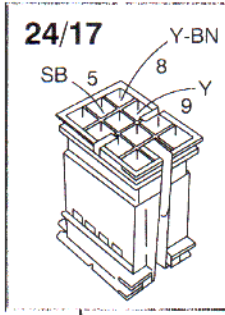
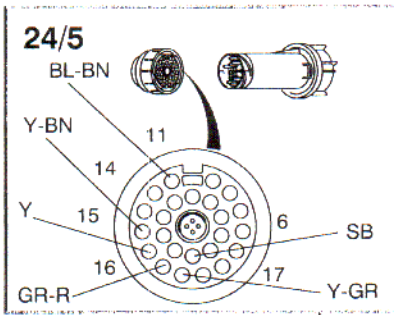
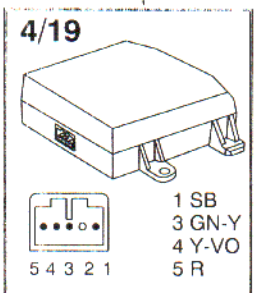
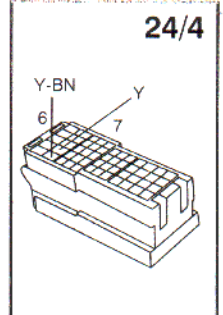
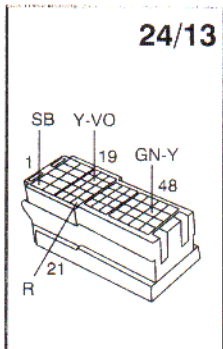
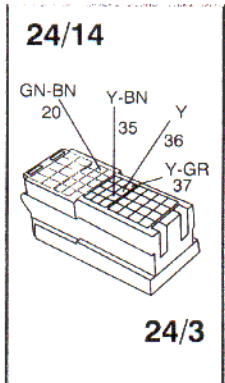
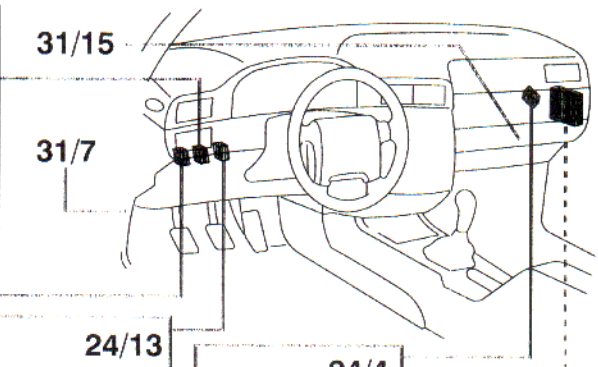
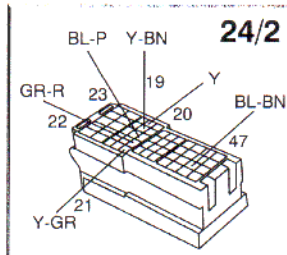
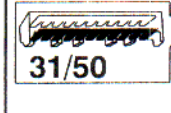
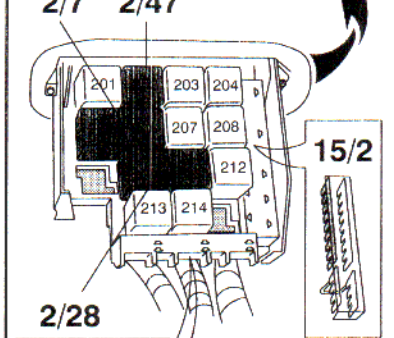
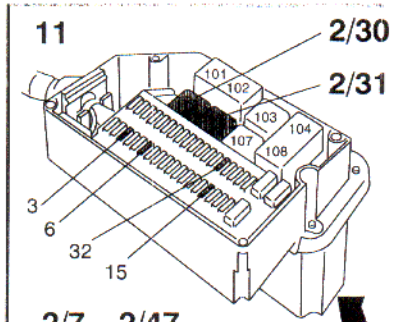


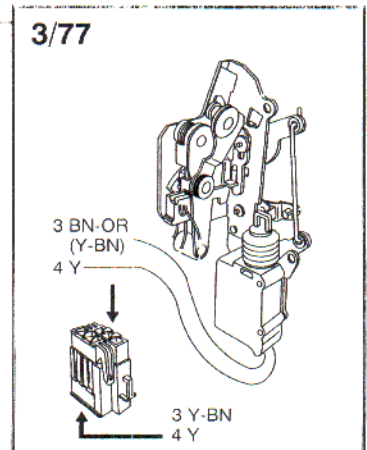
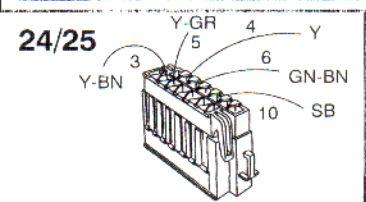
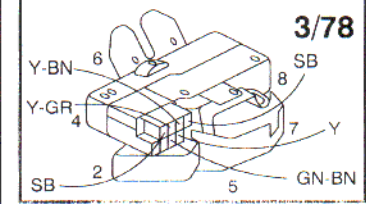
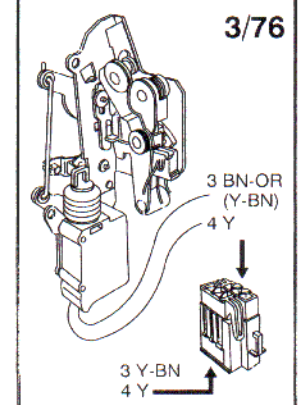
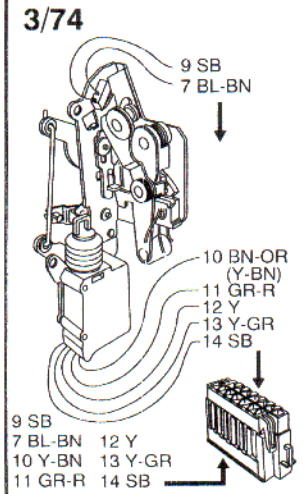
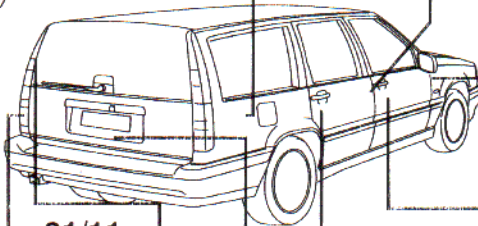
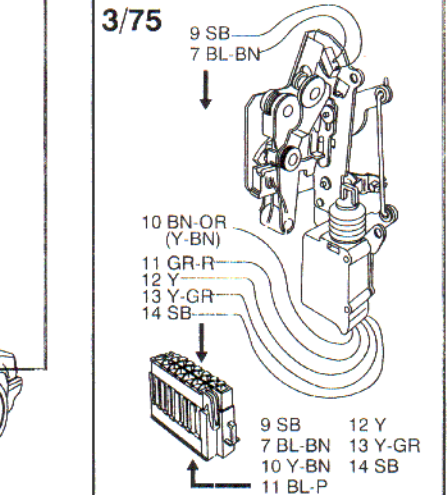
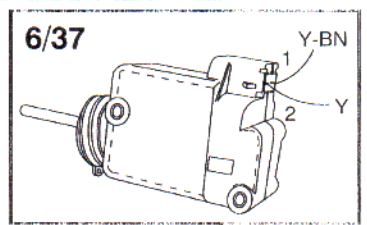
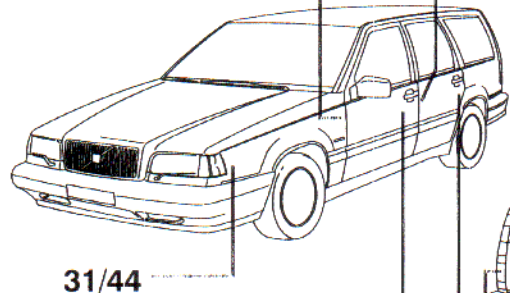
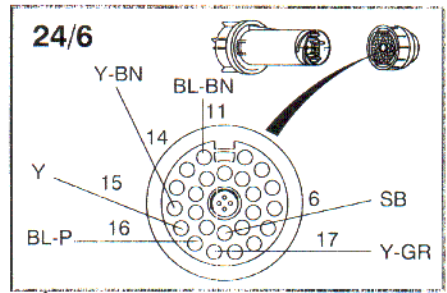
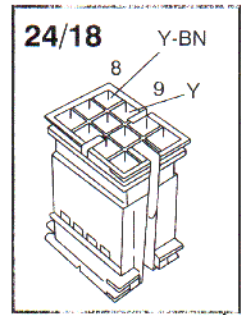
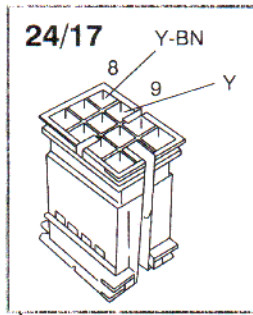
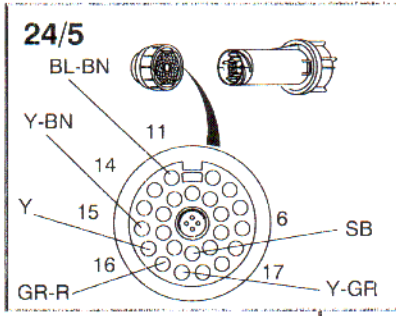
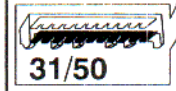
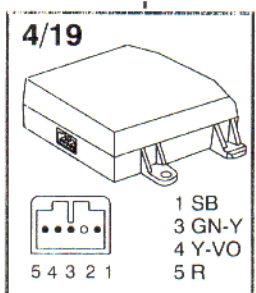
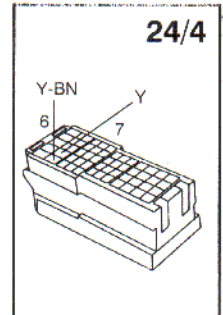
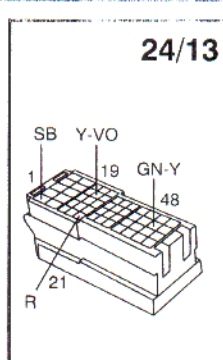
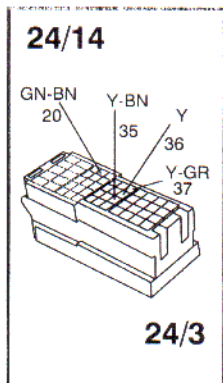
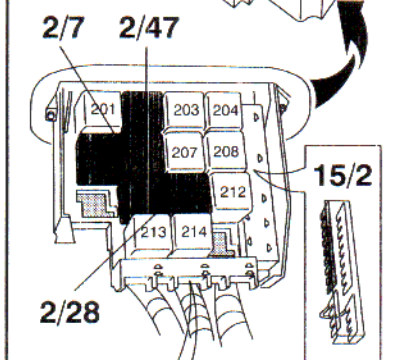
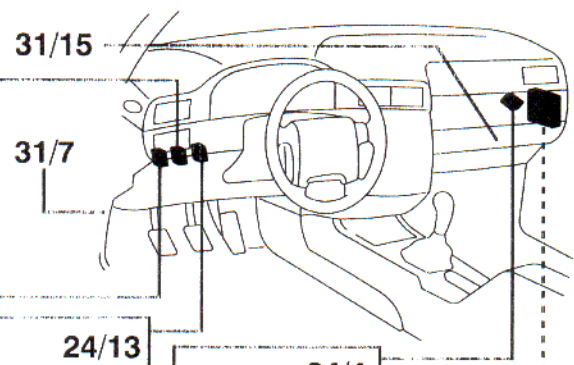
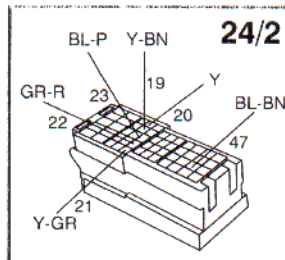
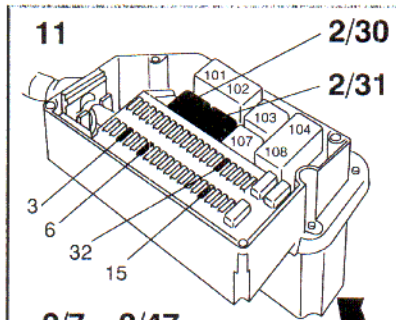
ABS brake system and TRACS

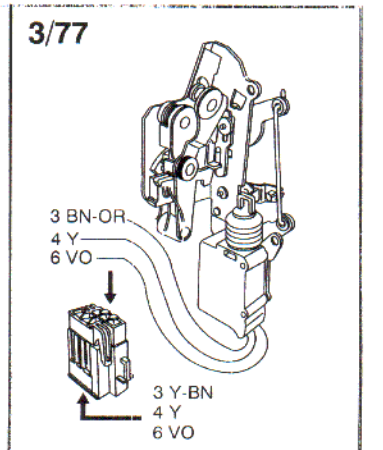
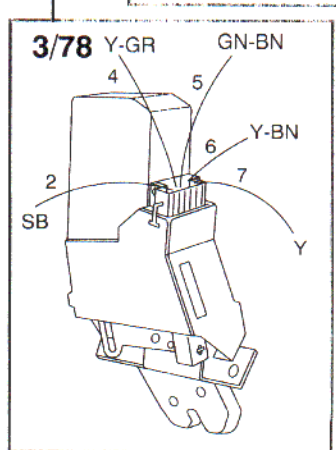
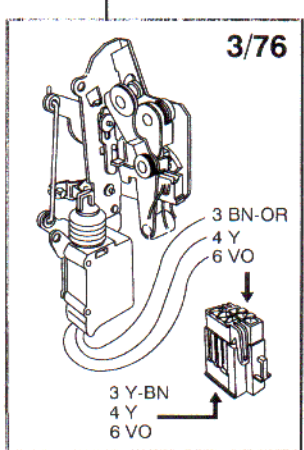
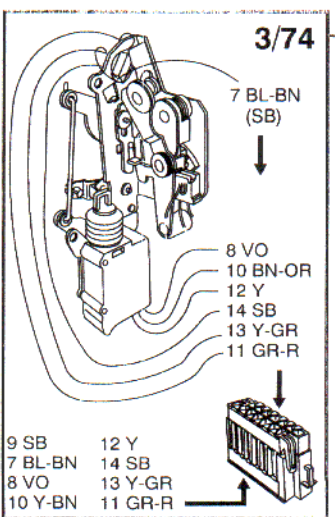
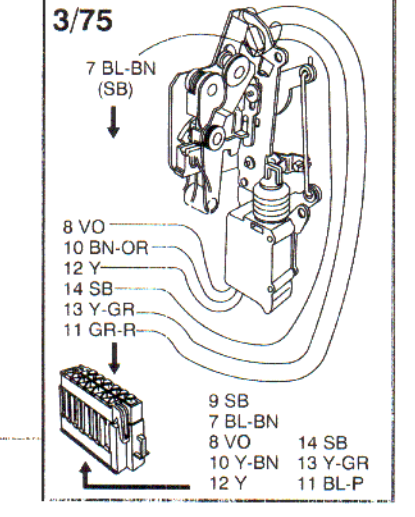
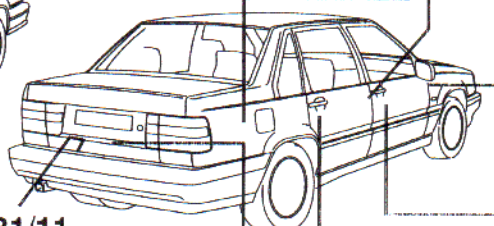
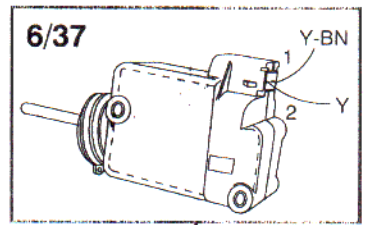
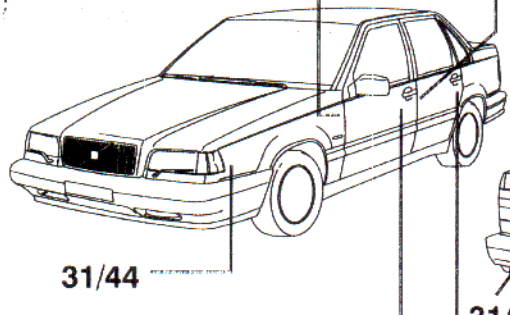
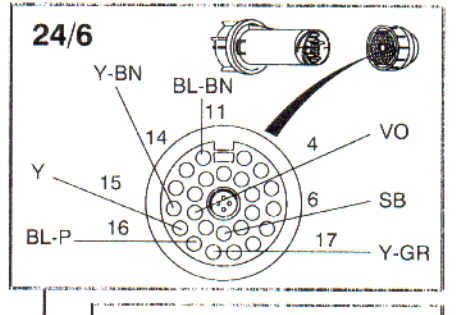
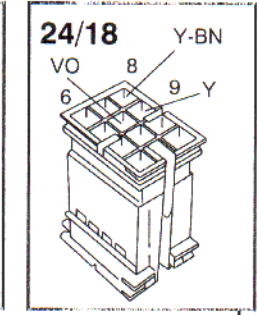
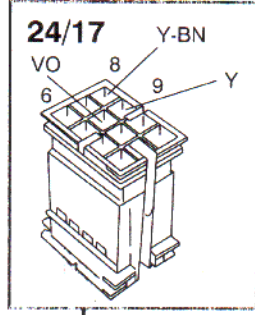
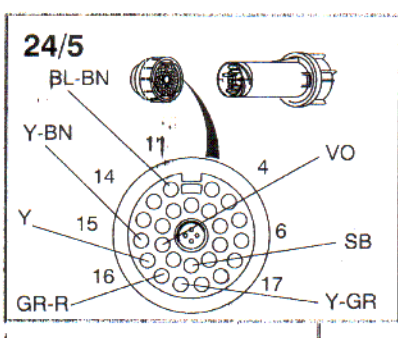
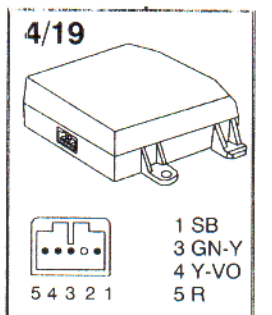
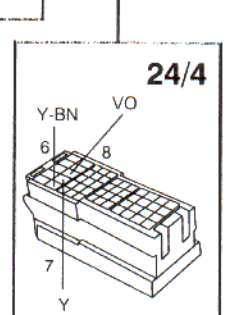
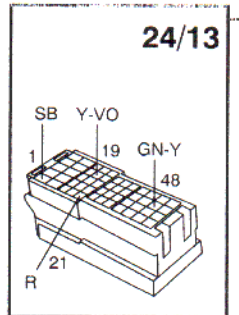
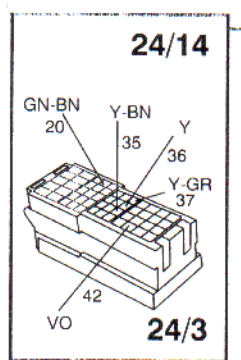
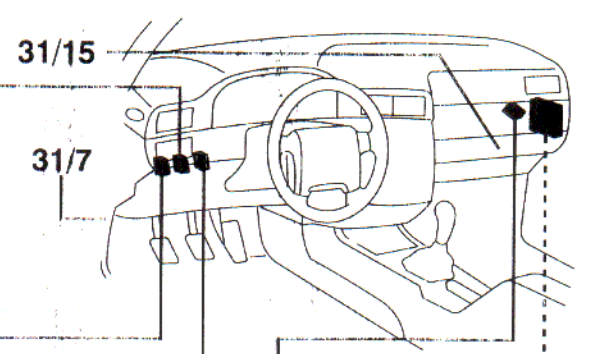
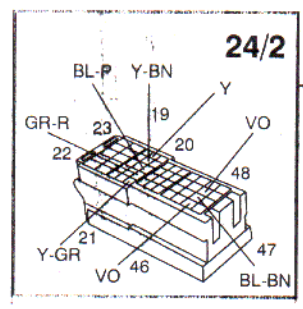
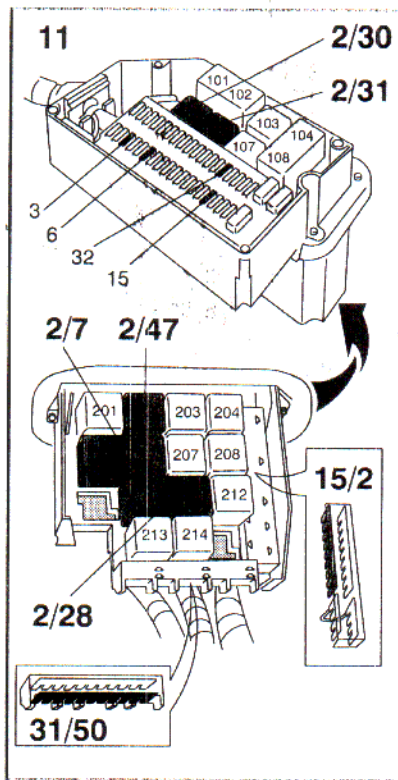




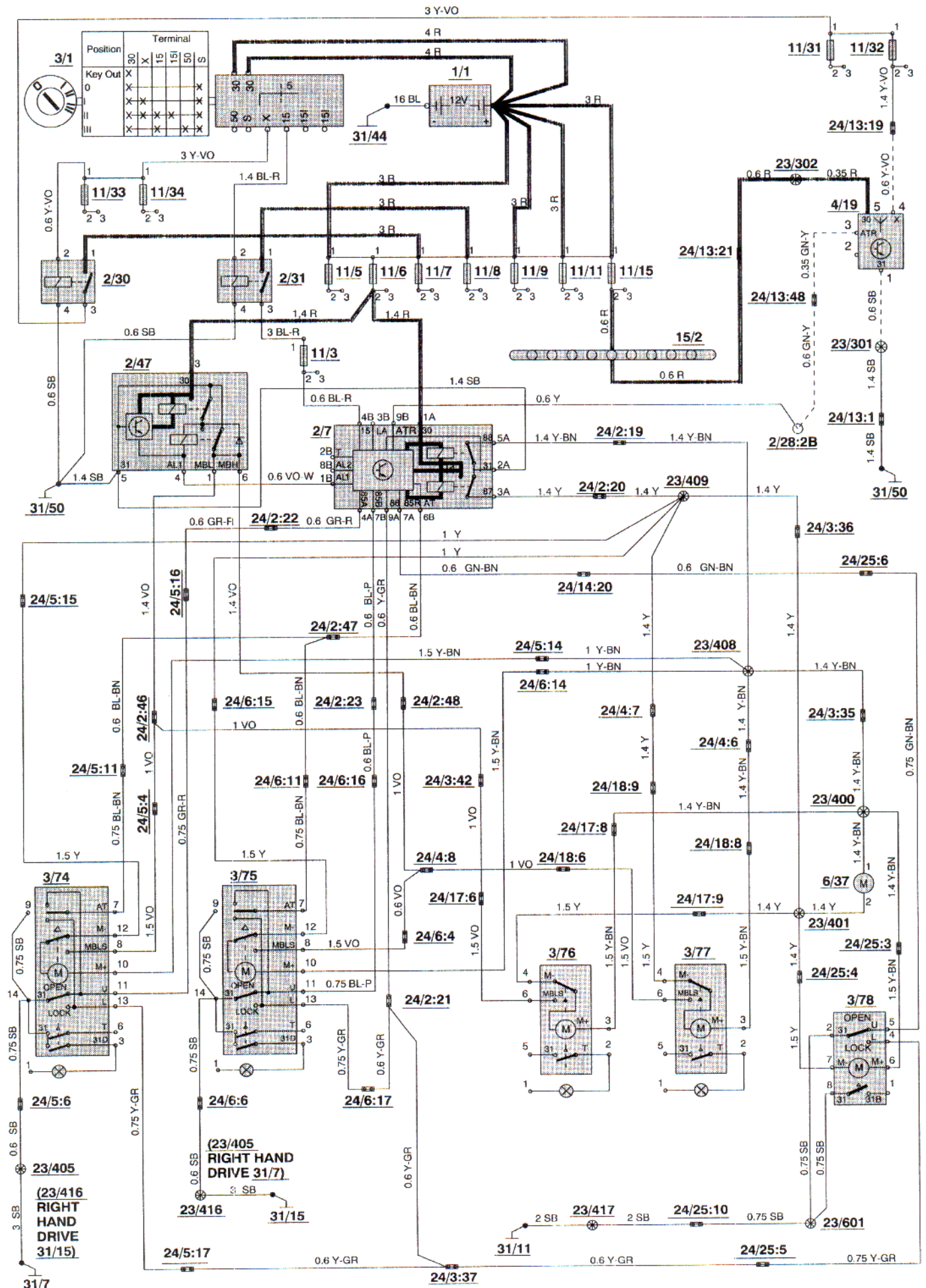


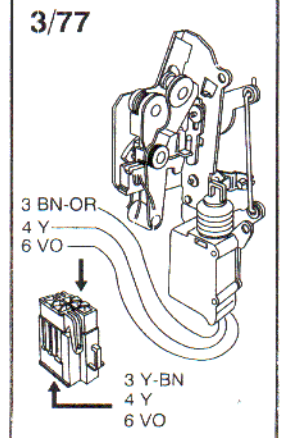
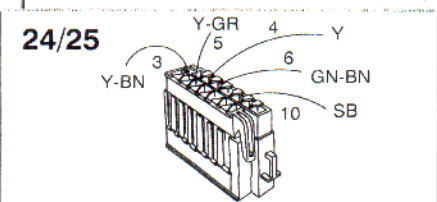
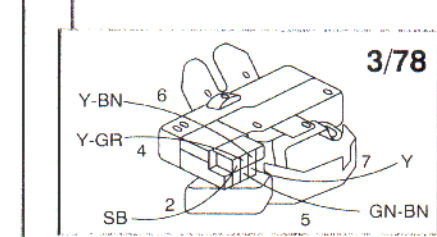
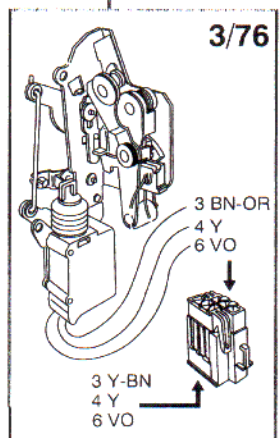
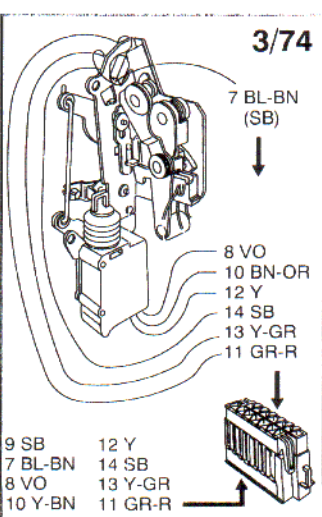
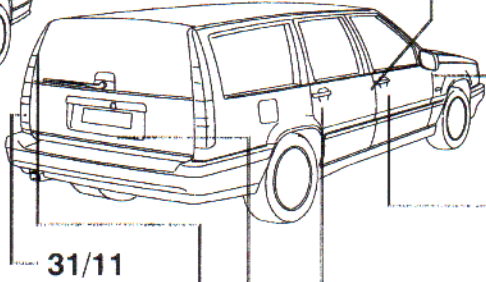
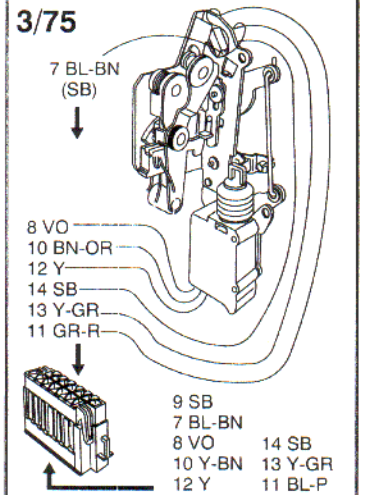
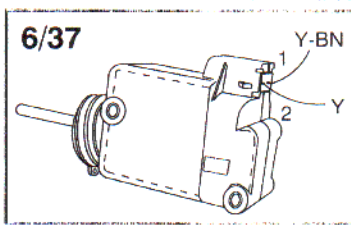
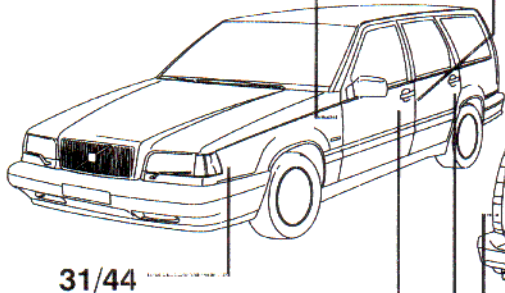
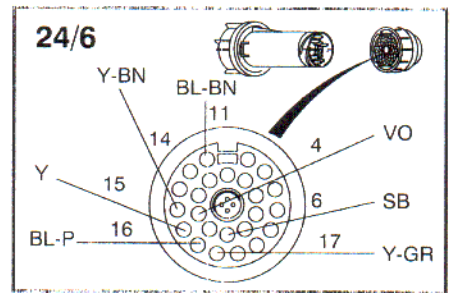
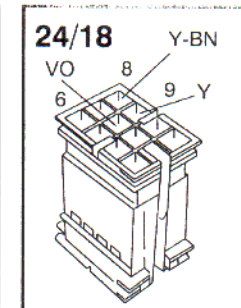
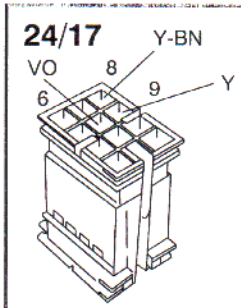
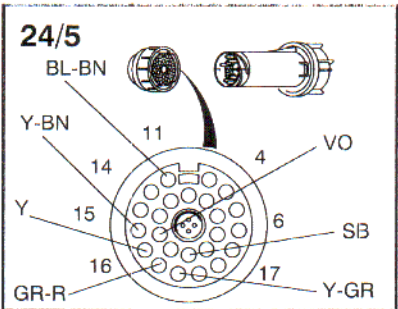
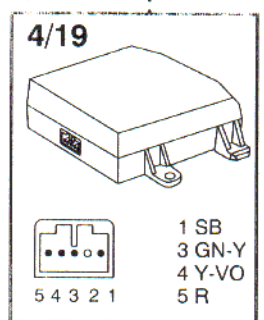
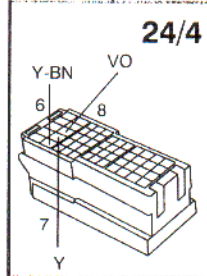
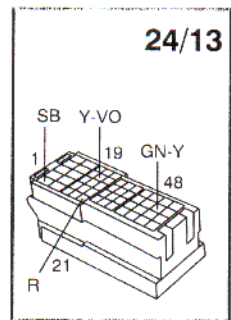
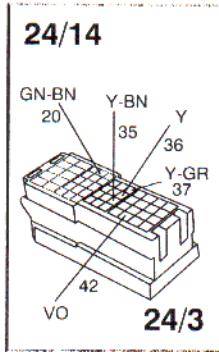
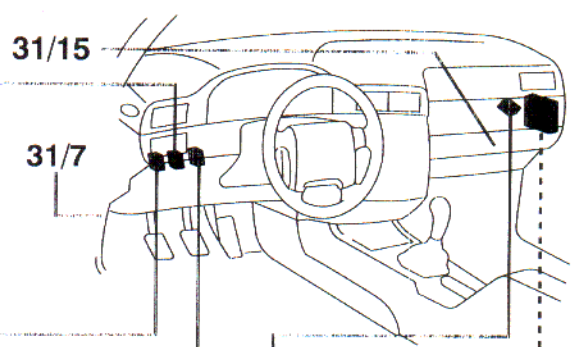
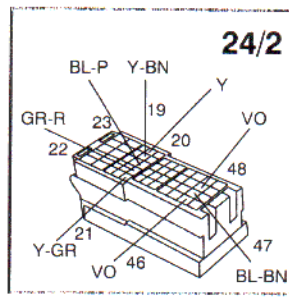
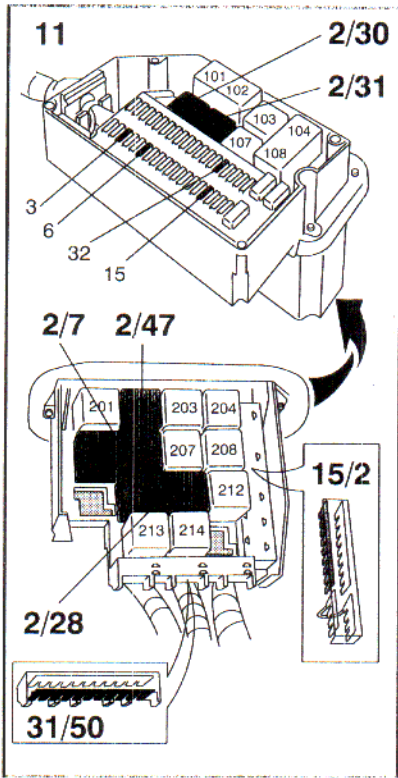




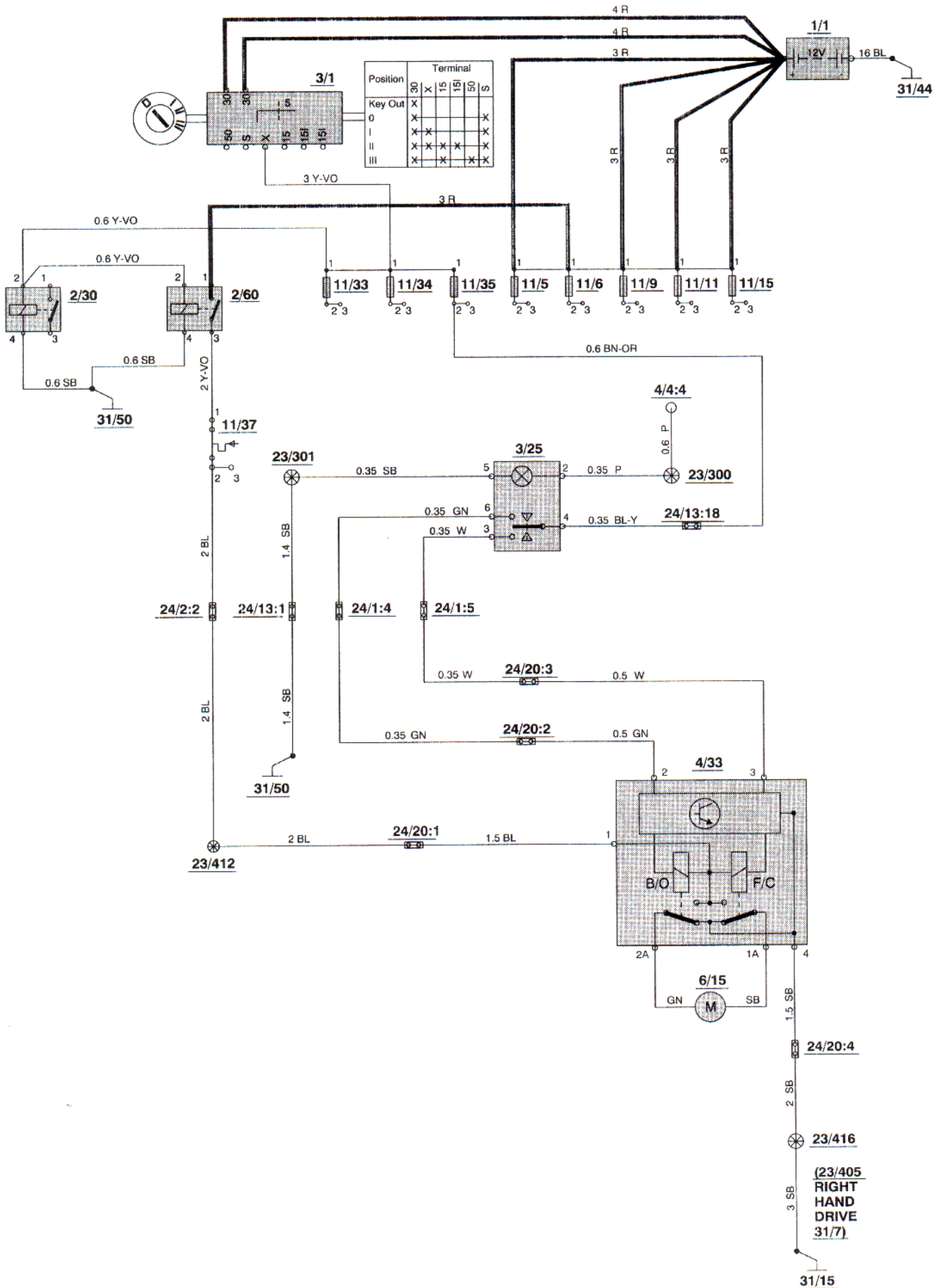


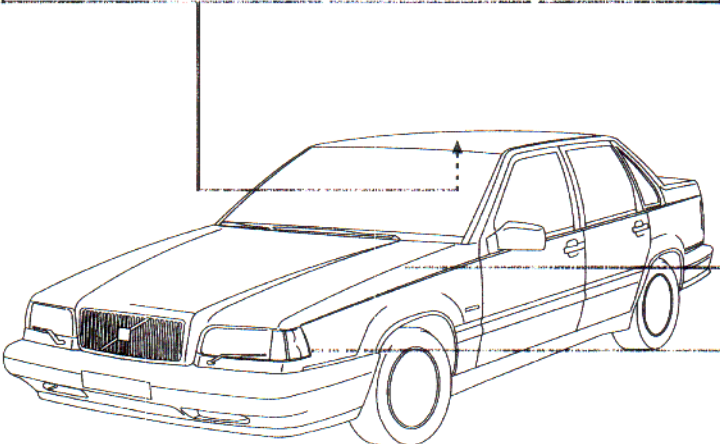
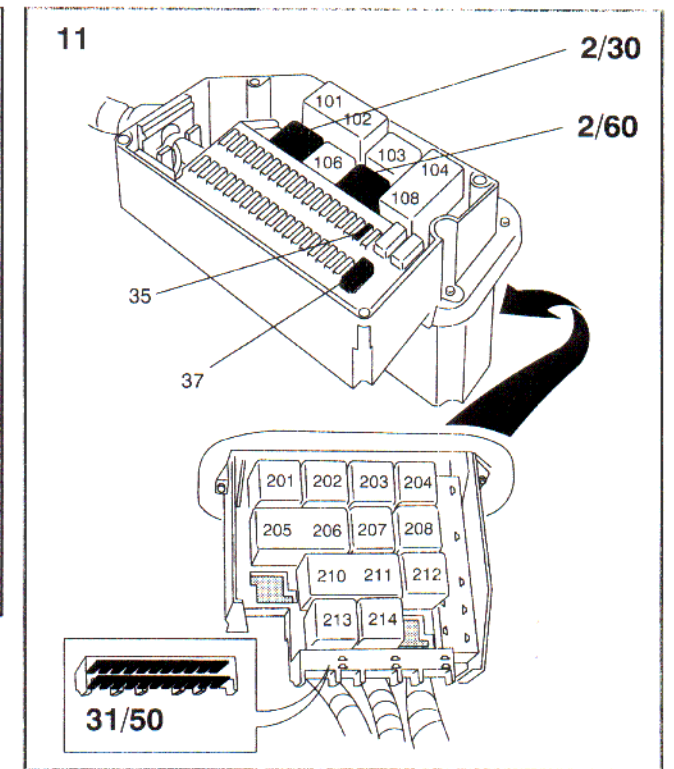
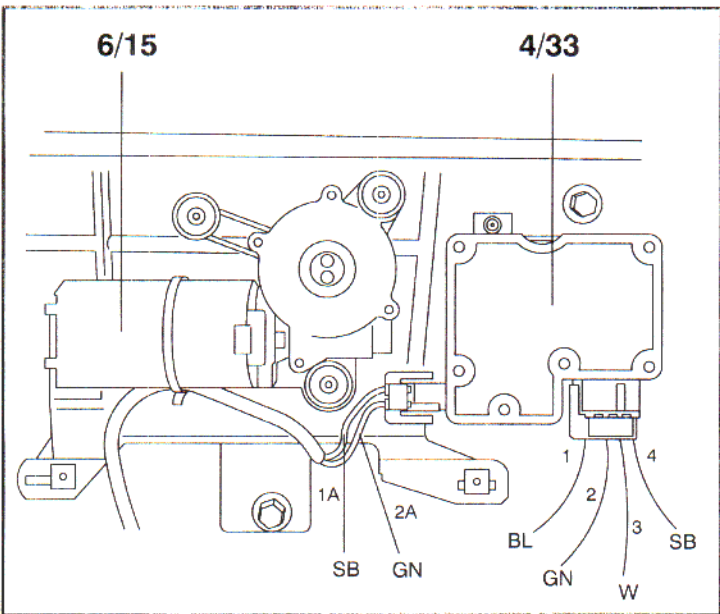
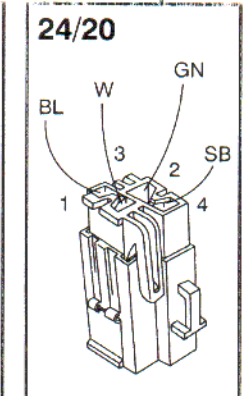
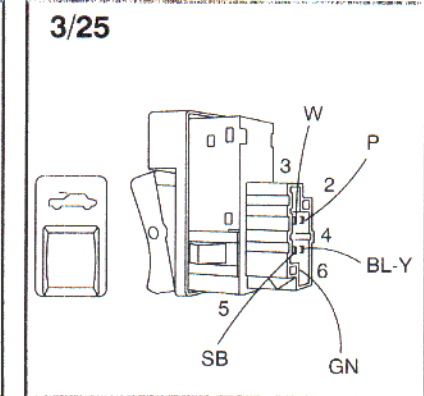
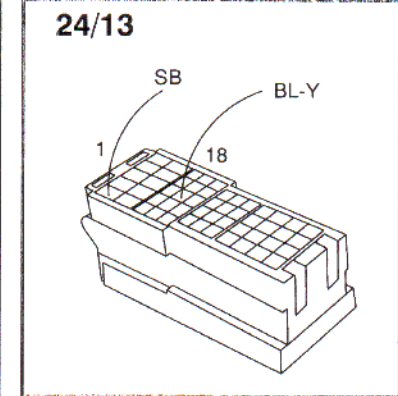
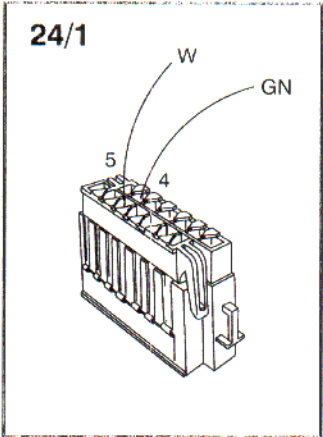
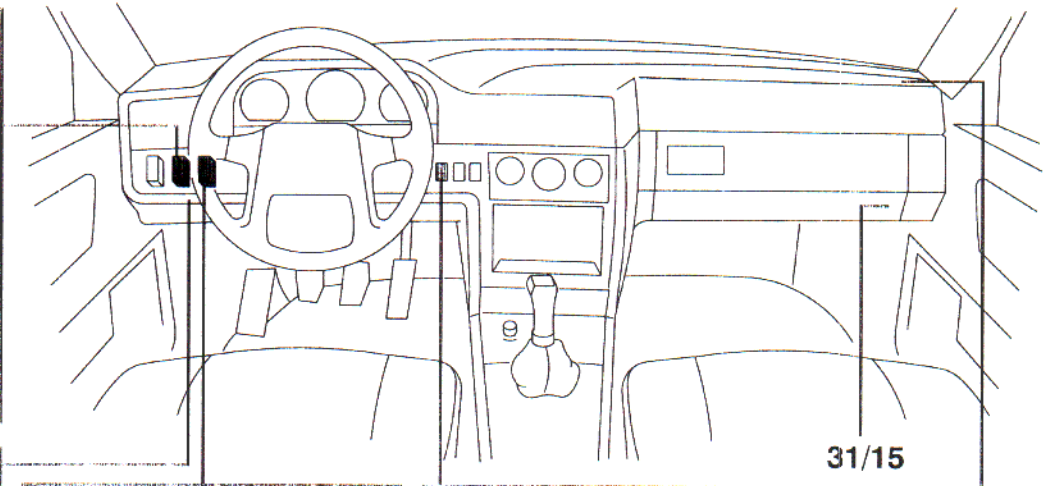
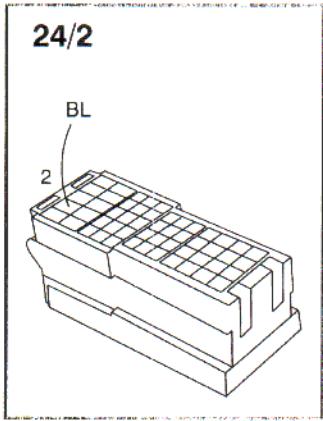
Central locking with deadlock, 5-door





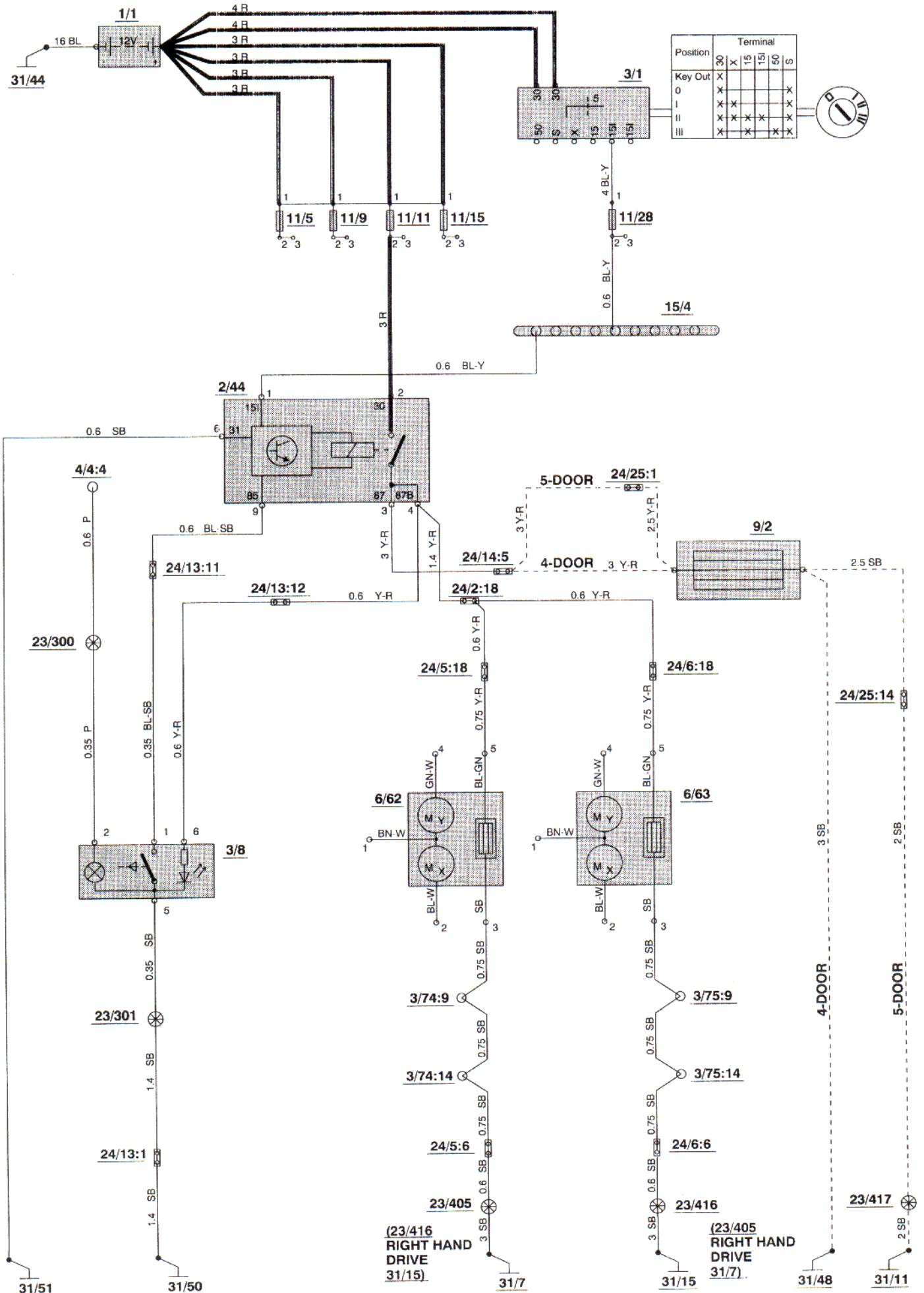
Power sunroof

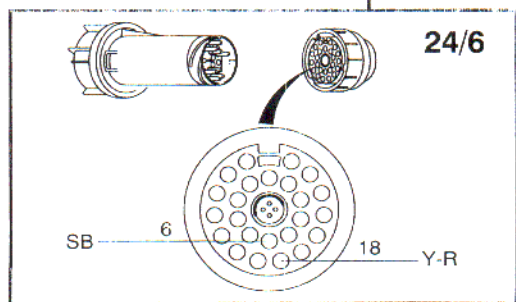
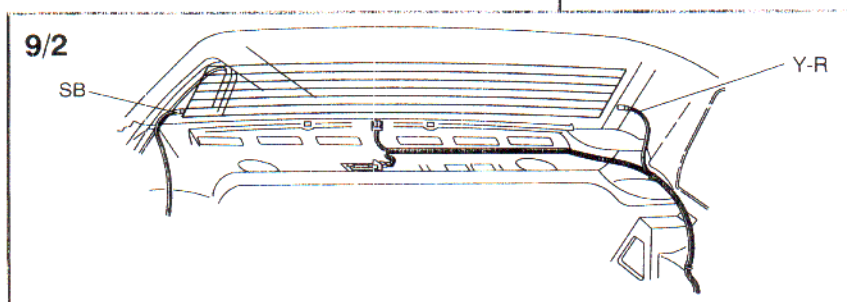
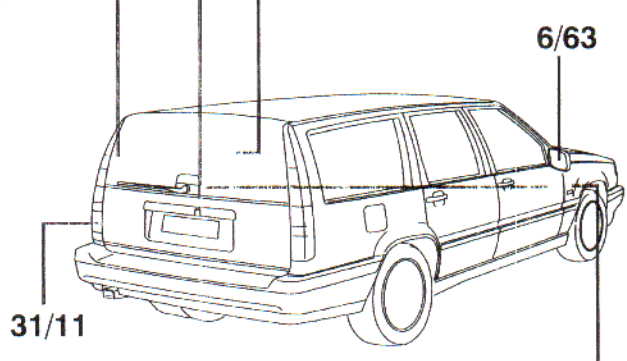
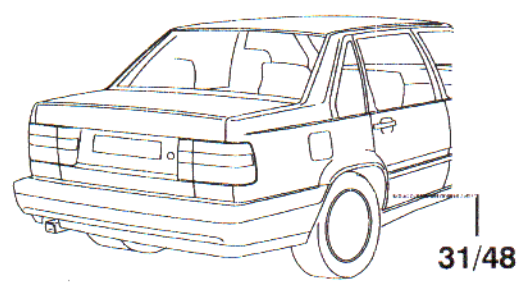
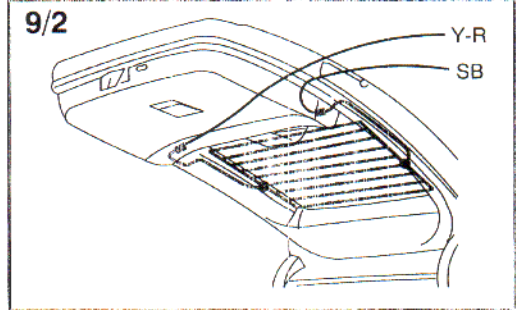
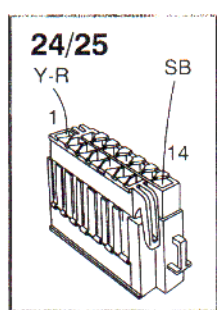
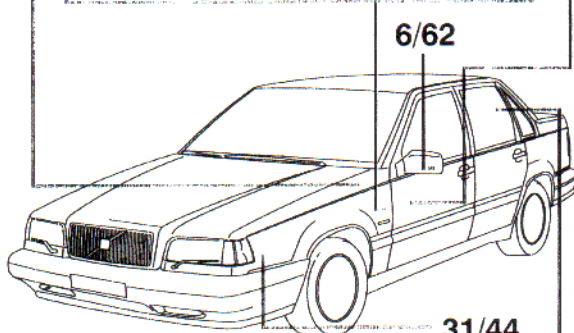
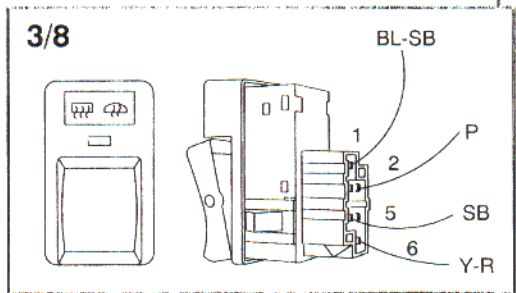
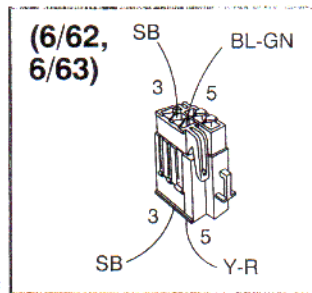
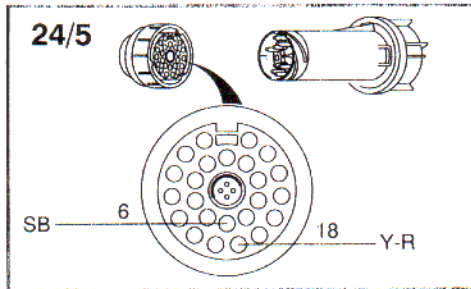
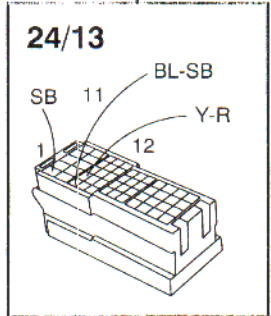
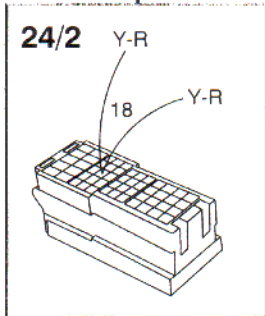
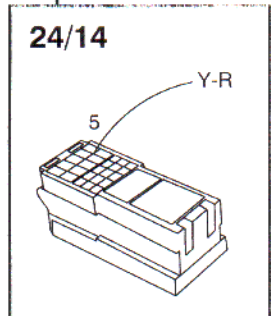
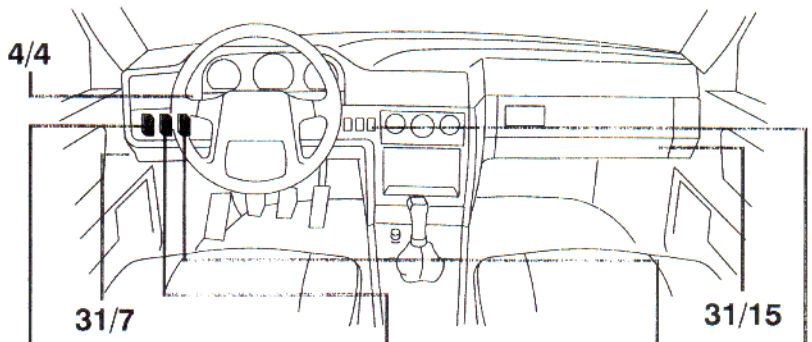
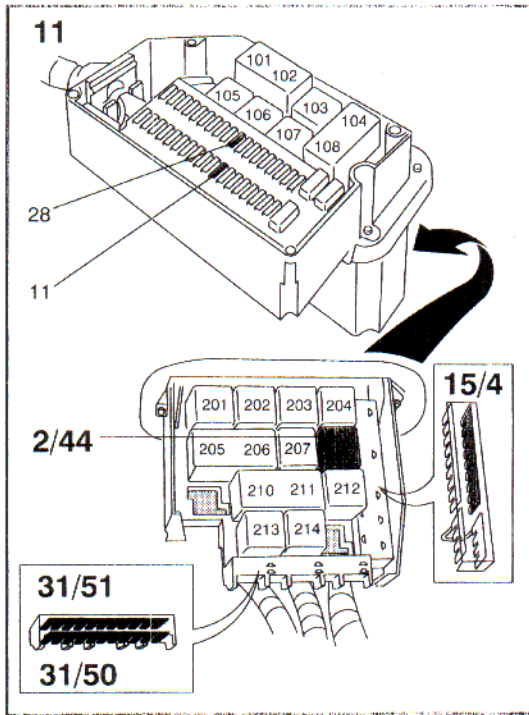


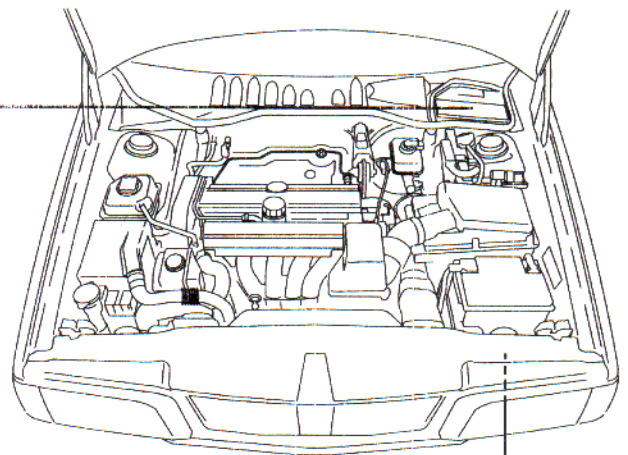
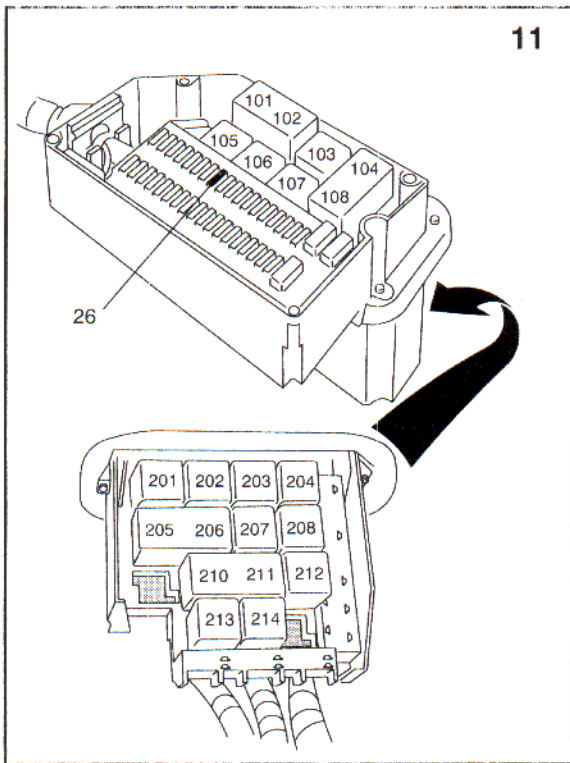


31/44

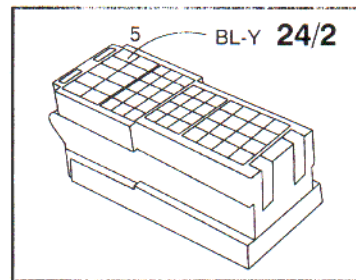
Heated rear window and door mirrors



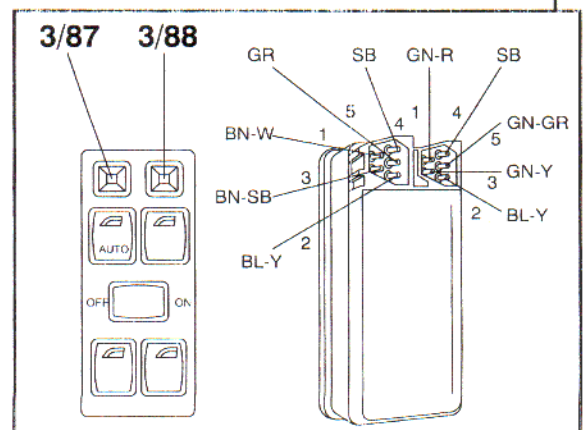
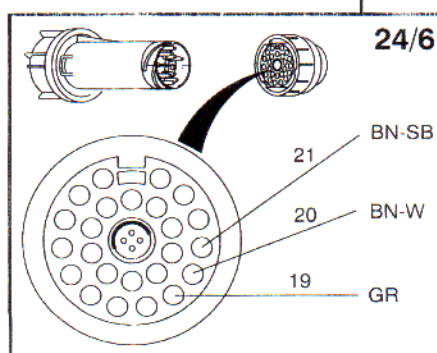
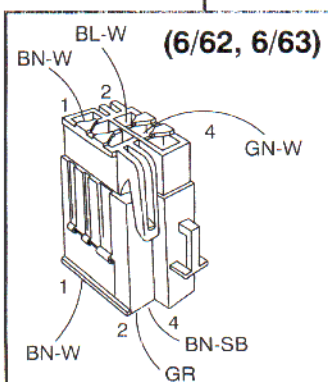
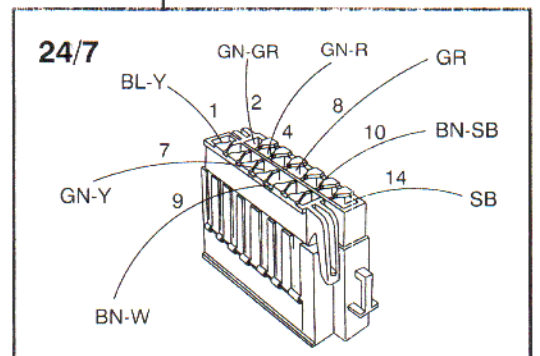
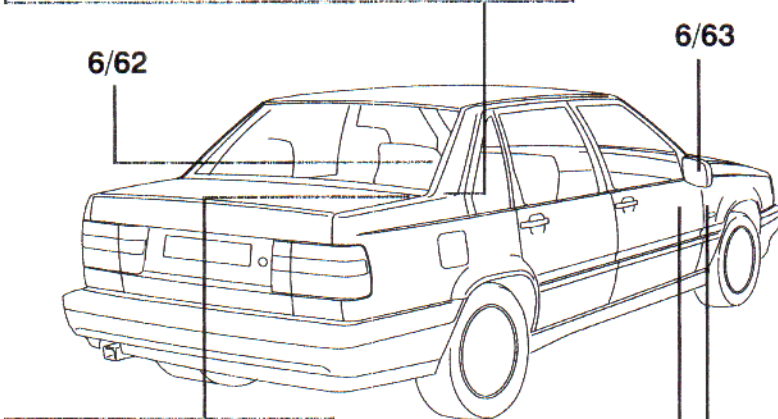
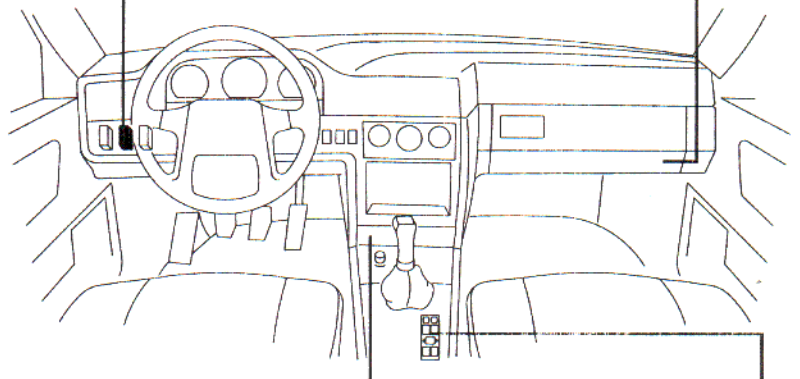
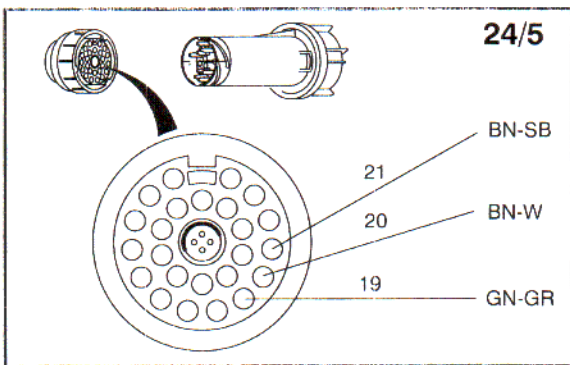


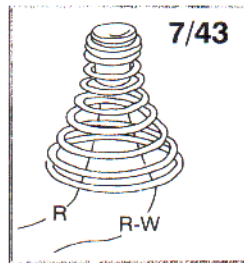
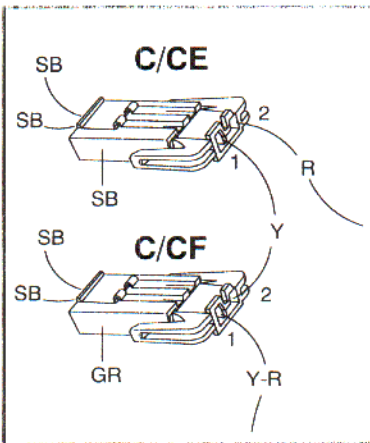
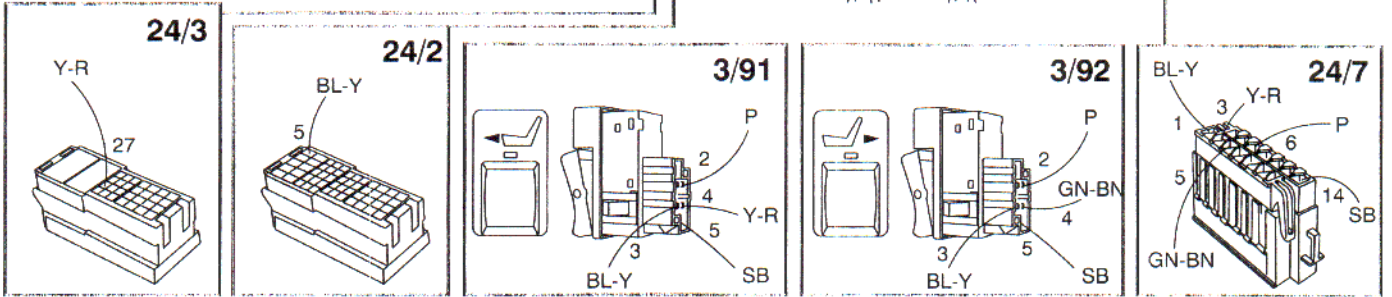
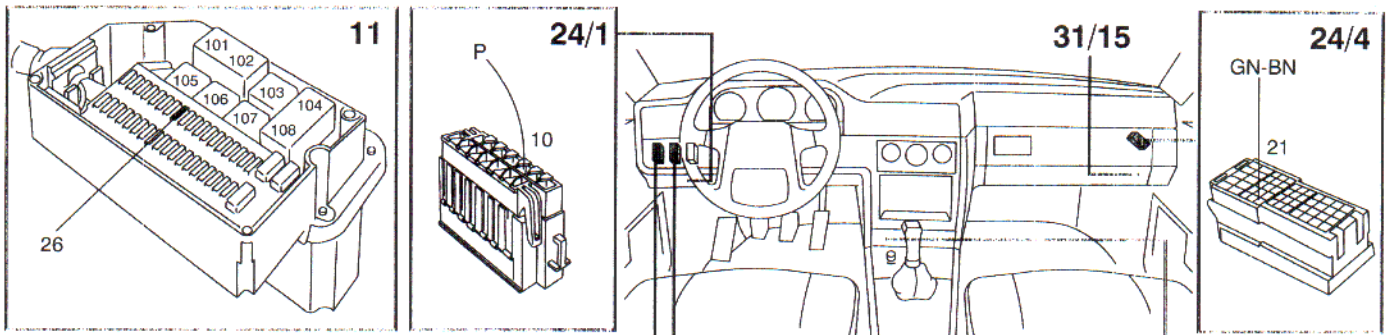


31/44

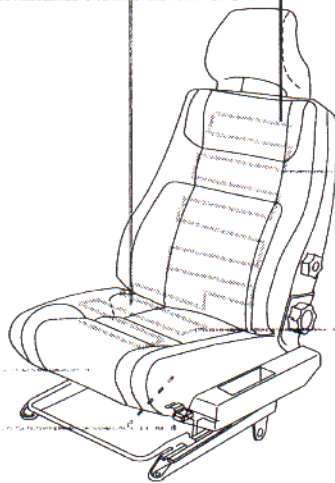
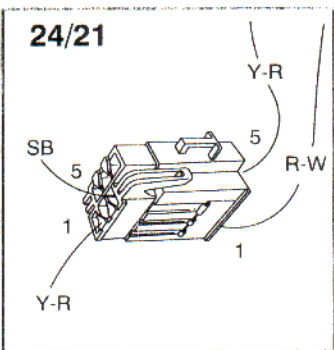
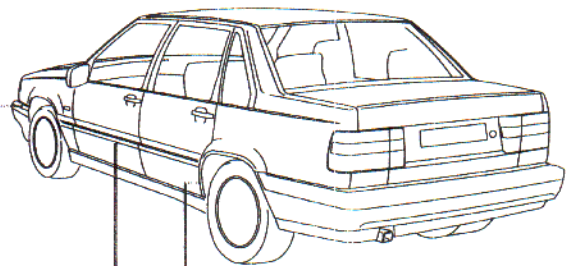


31/15

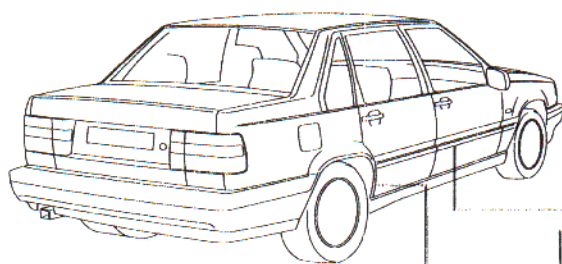
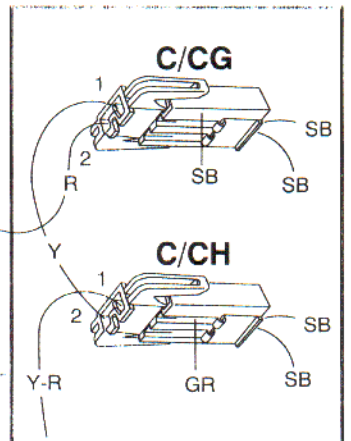
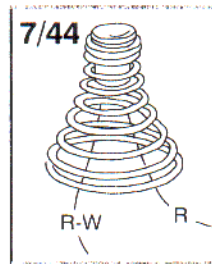




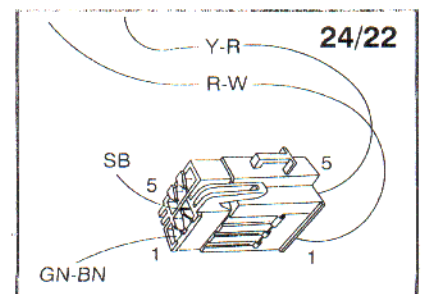
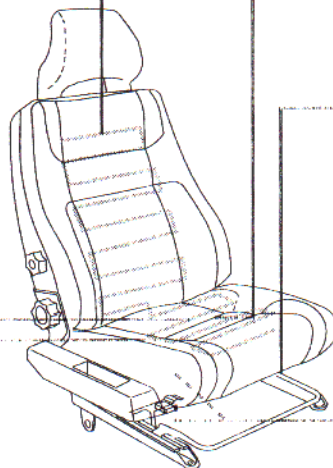
9/3 31/44

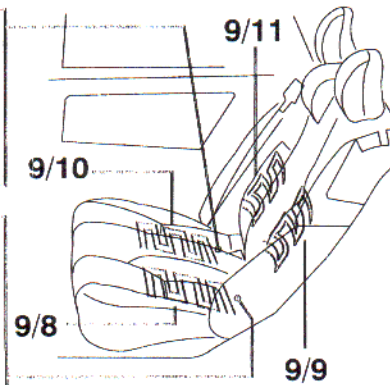
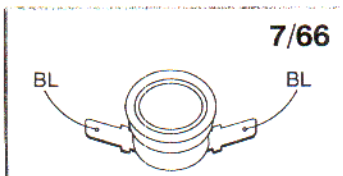
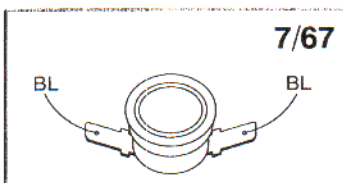
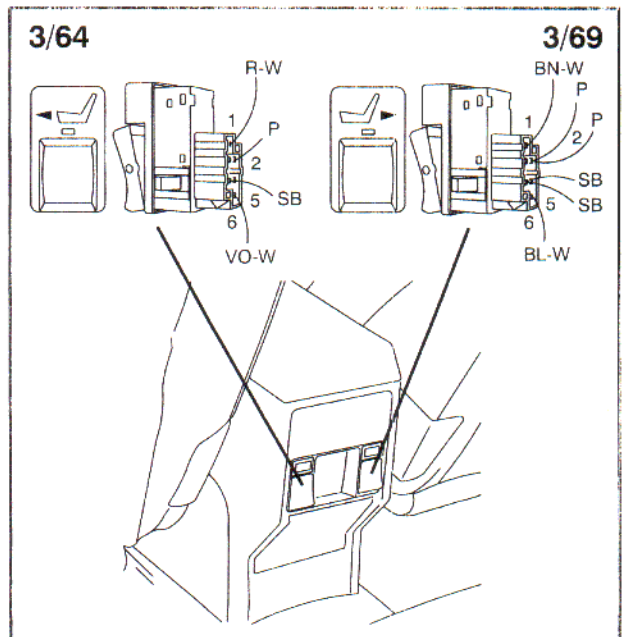
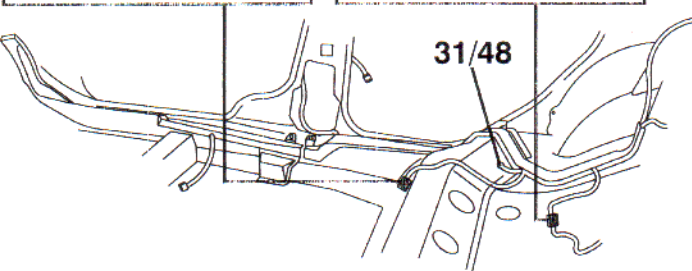
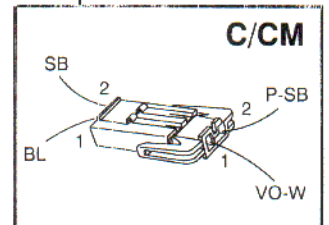
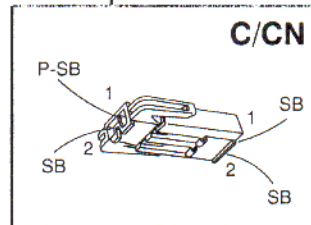
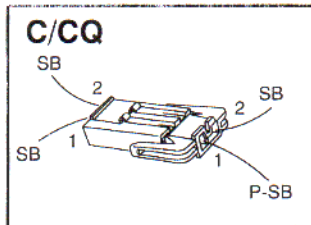
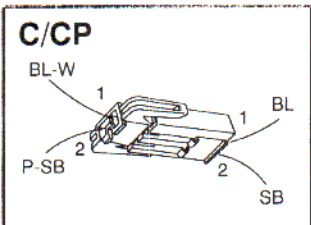
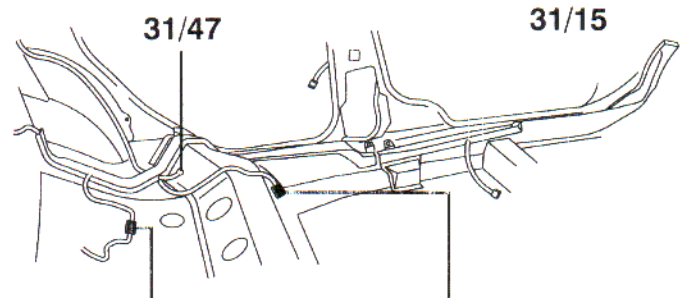
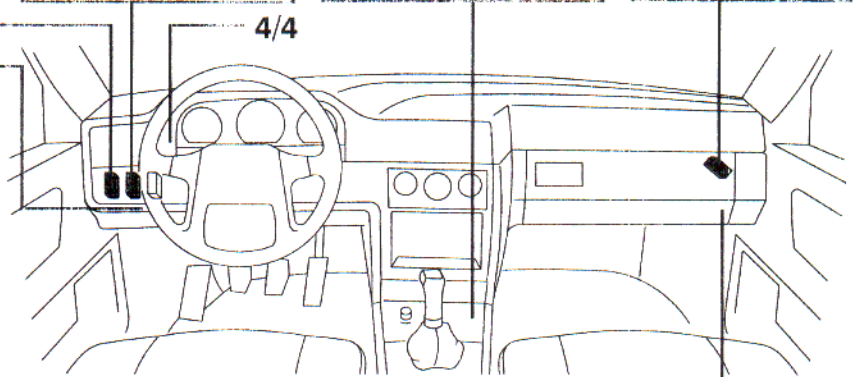
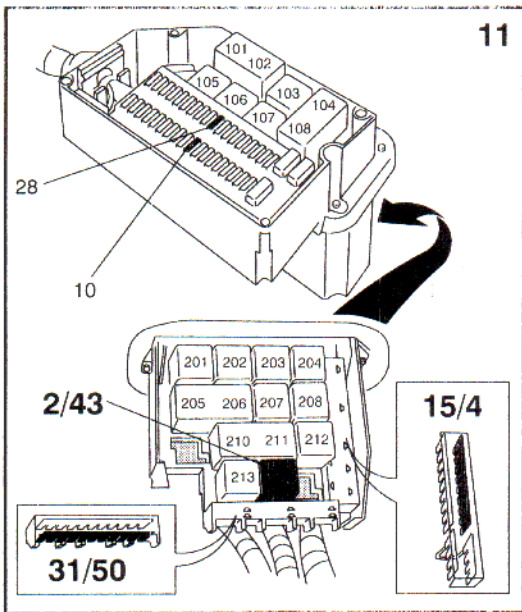
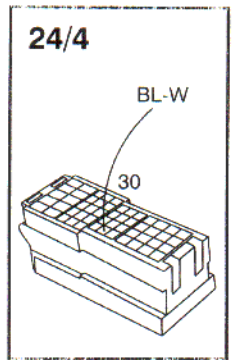
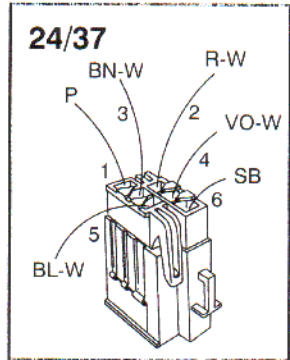
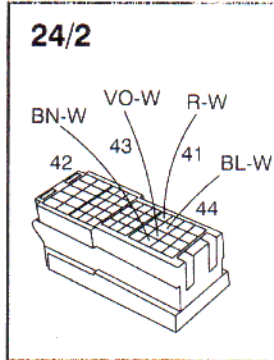
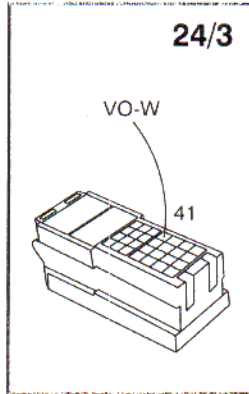
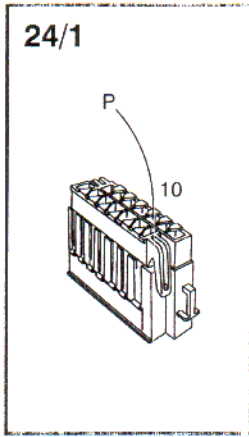


9/5

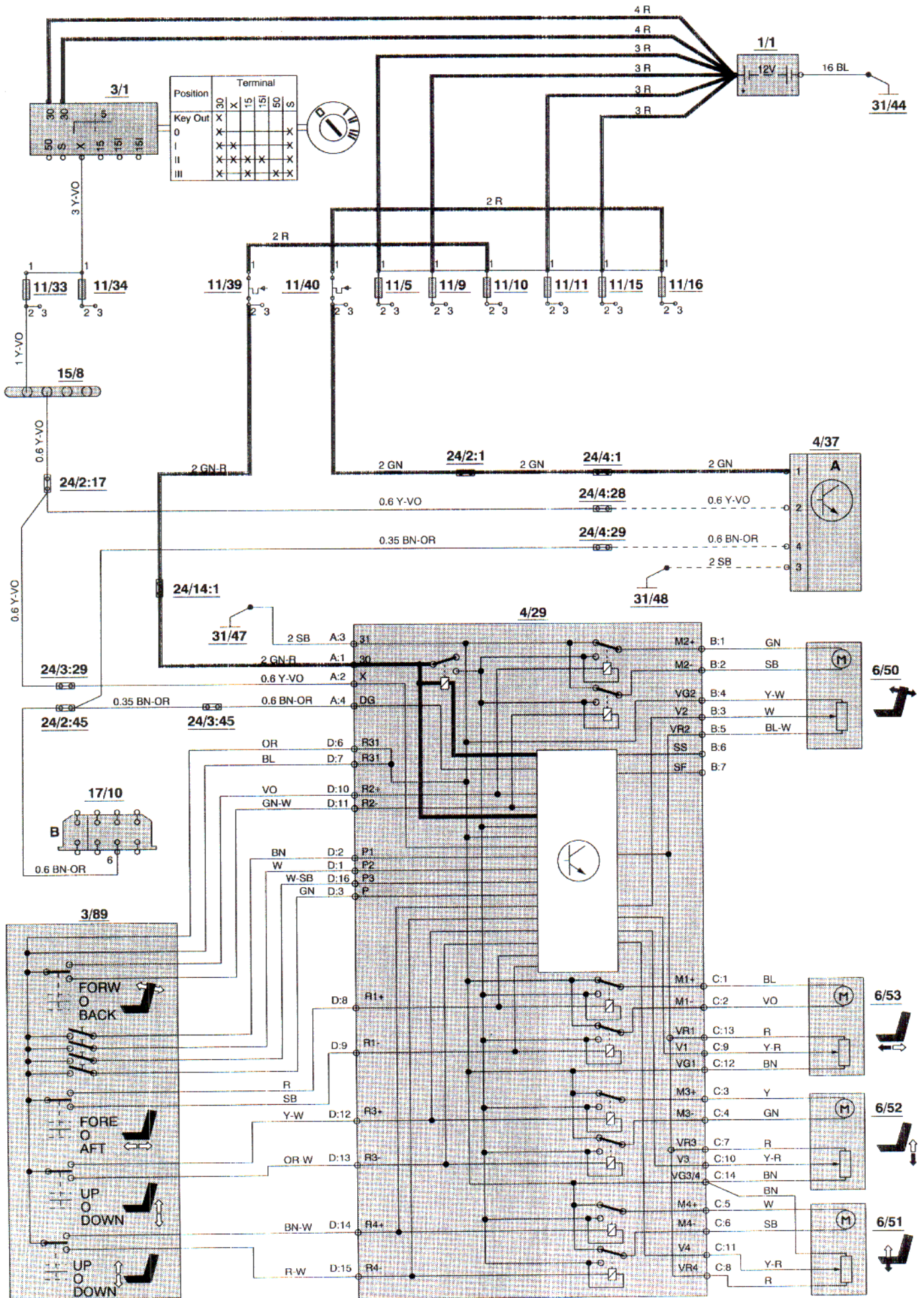


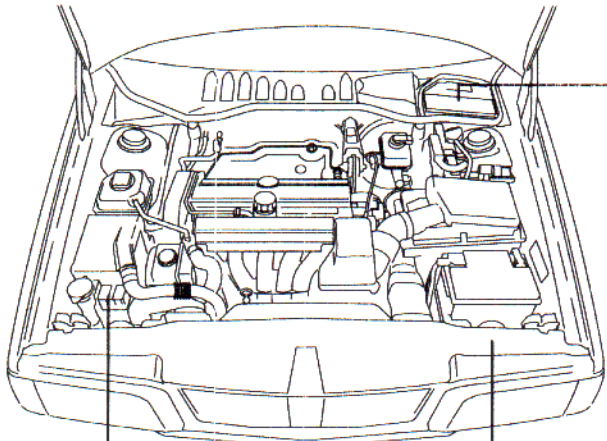
31/48 9/6



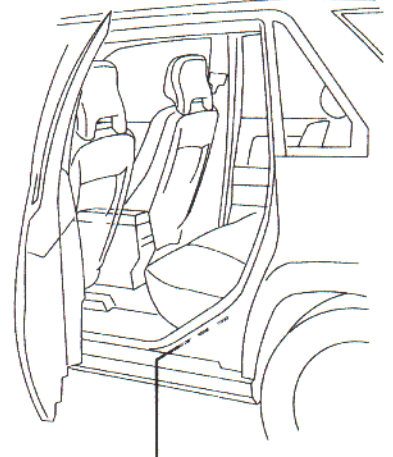
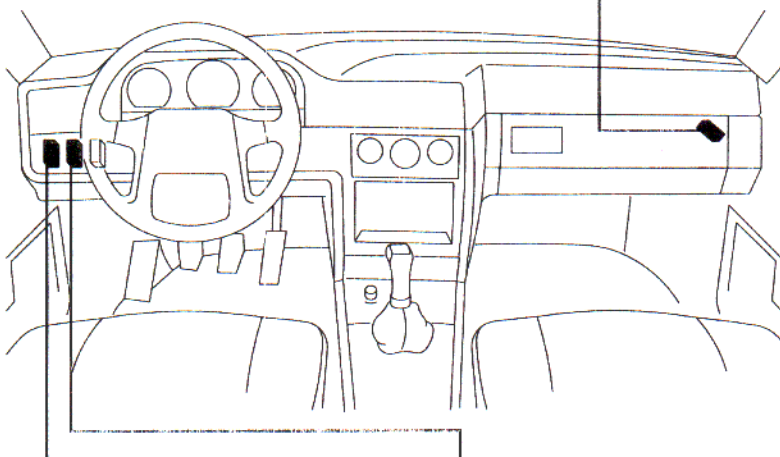
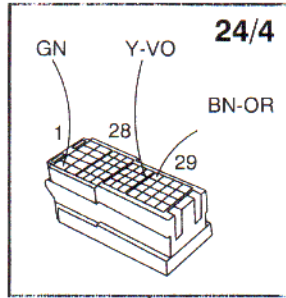
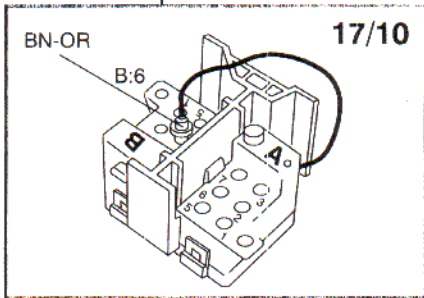
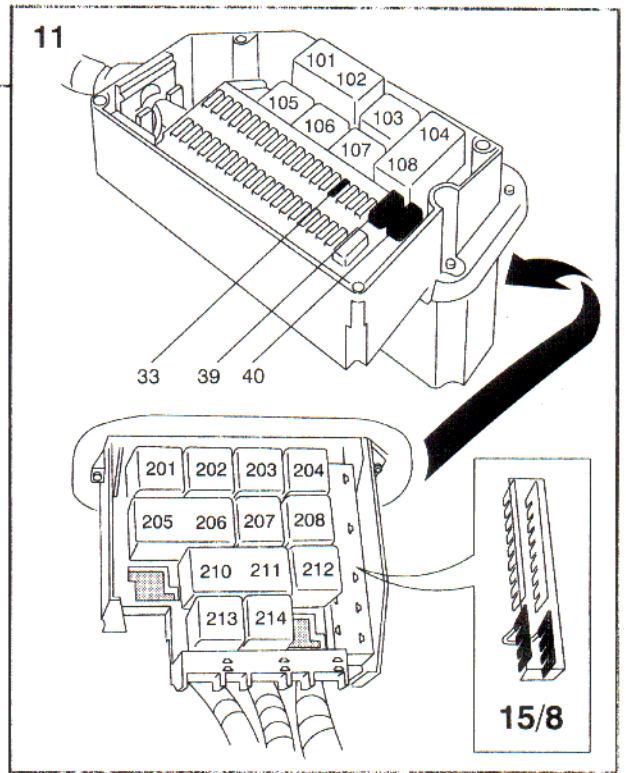


Power seat with memory

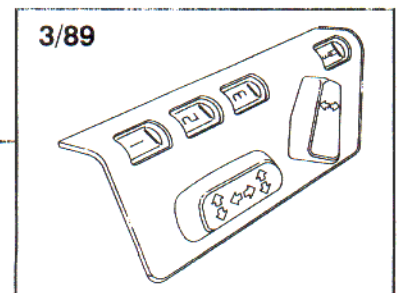
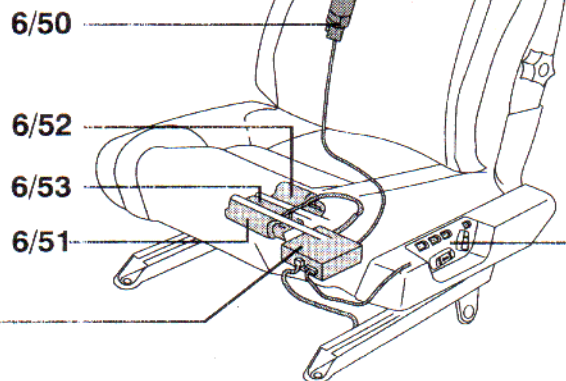
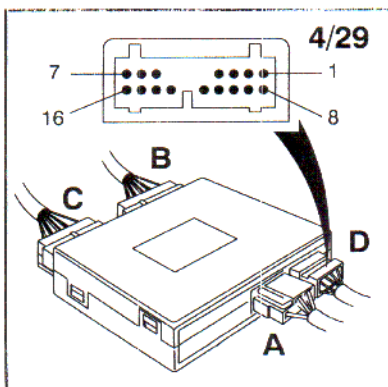
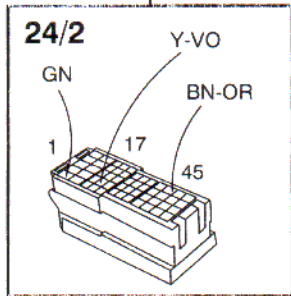
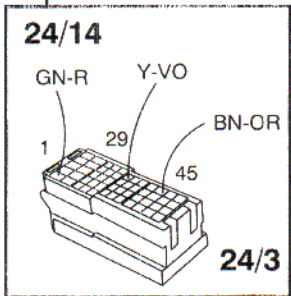


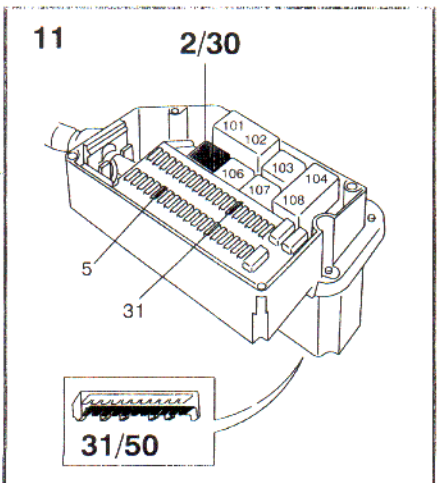
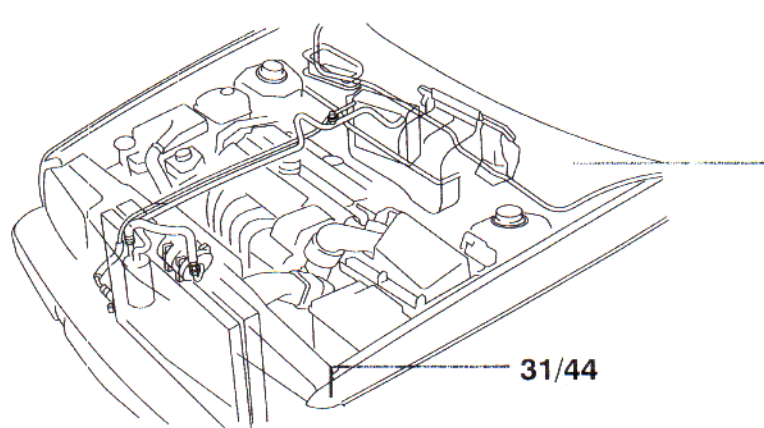
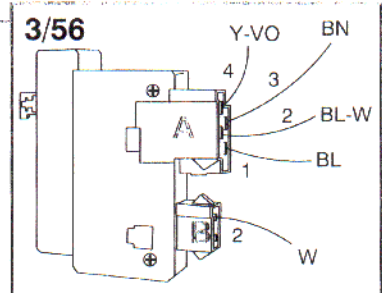
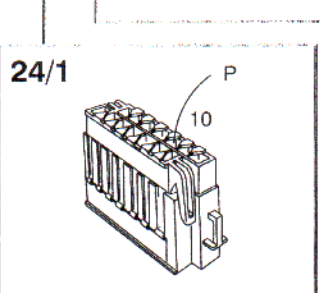
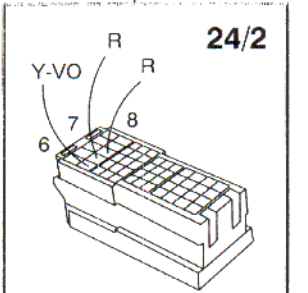
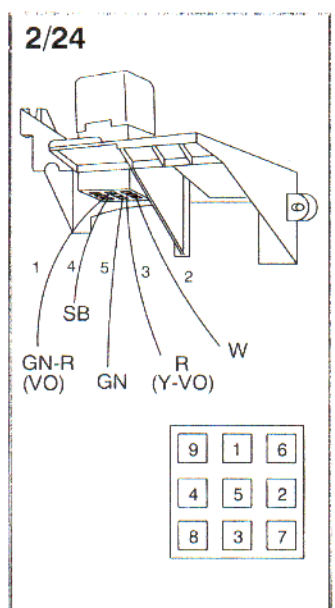
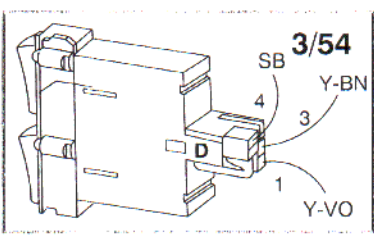
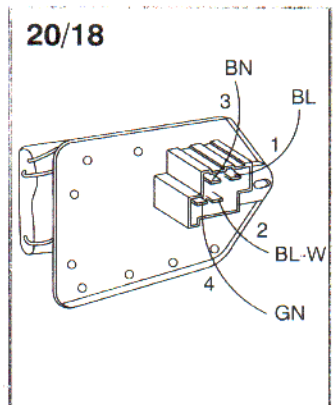
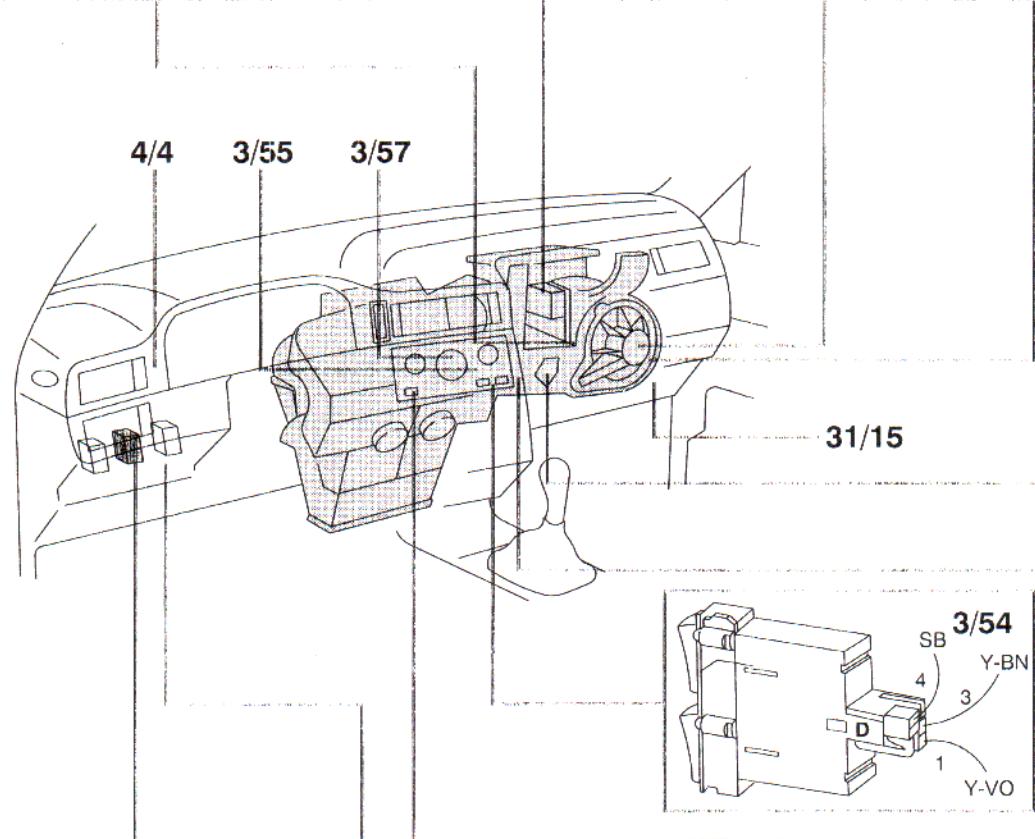
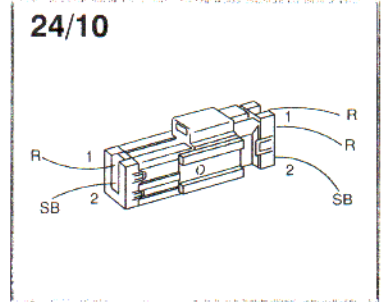
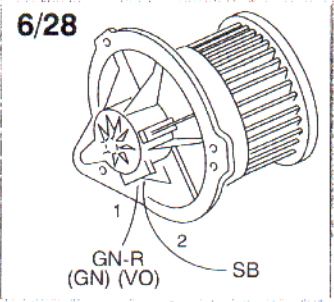
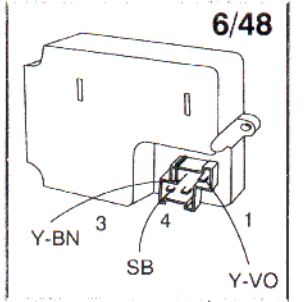
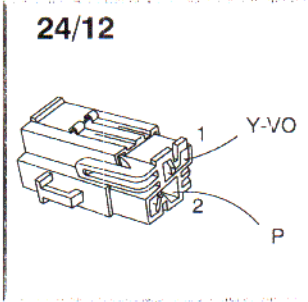


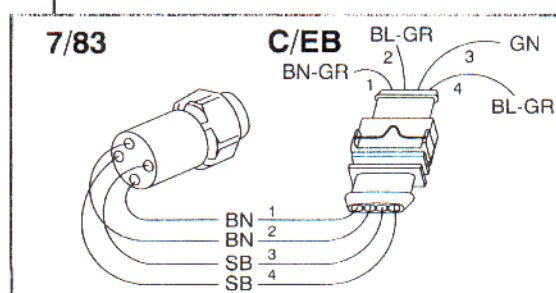
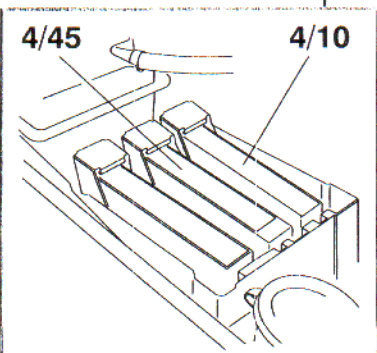
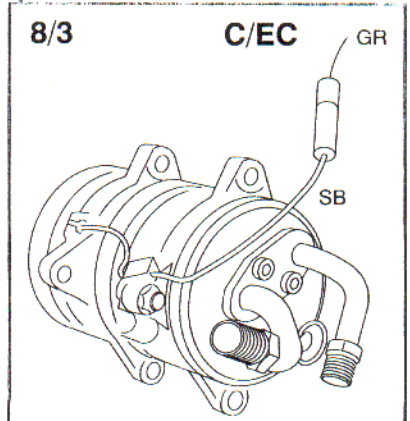
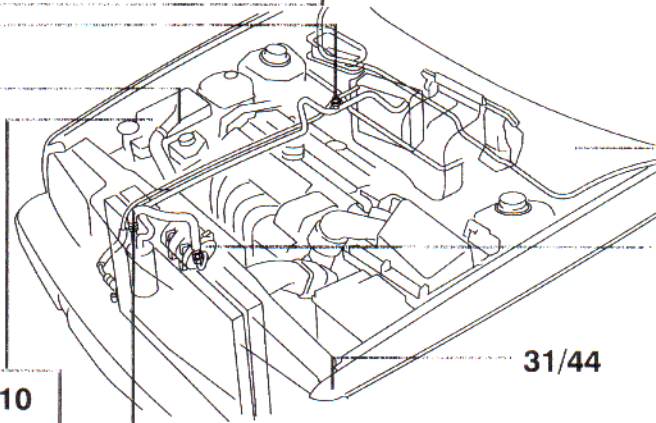
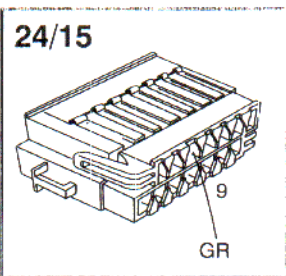
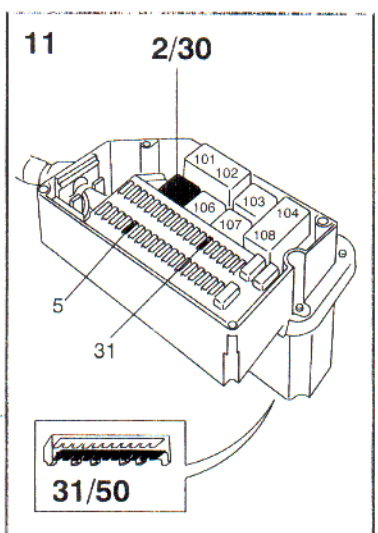
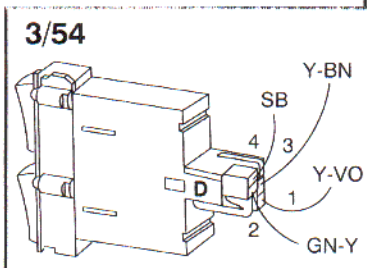
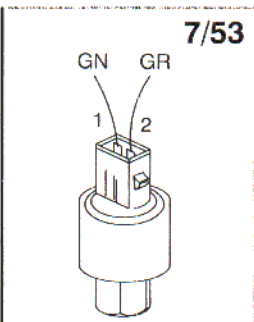
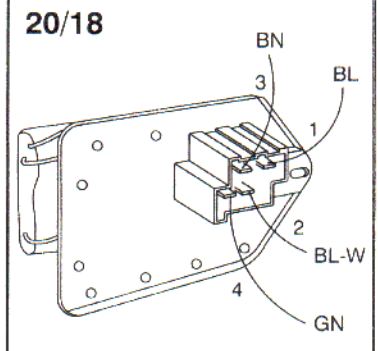
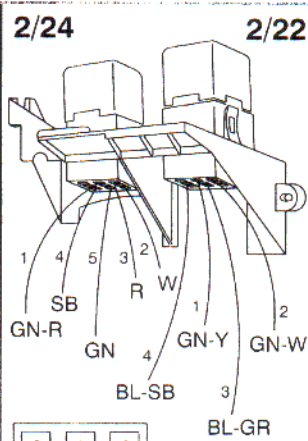
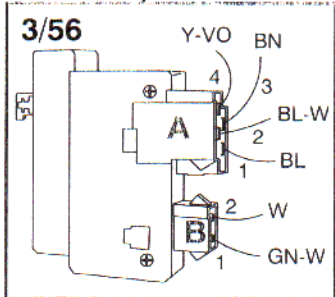
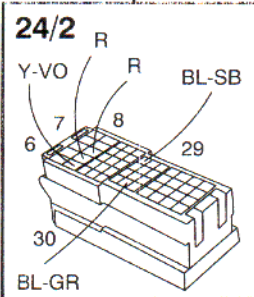
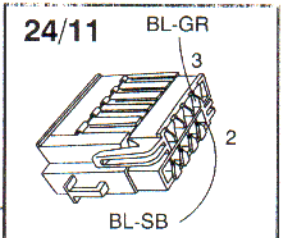
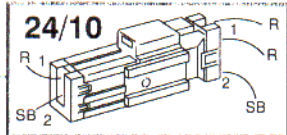
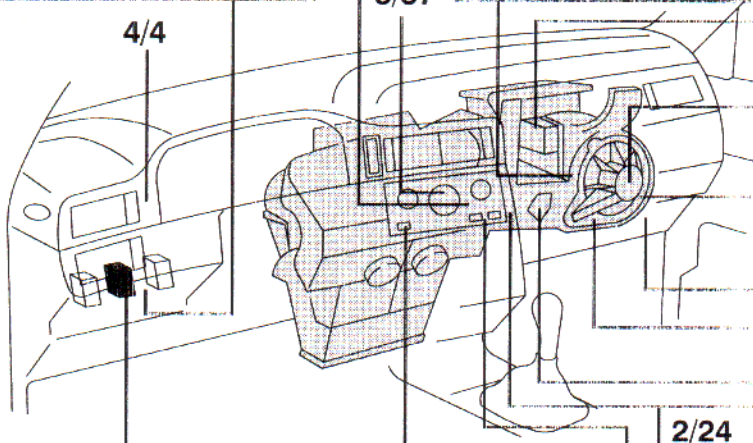
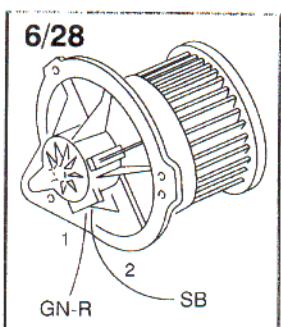
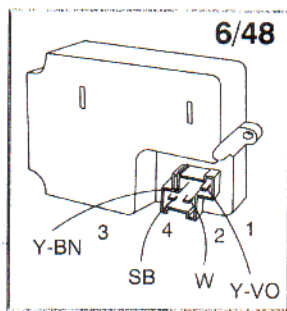
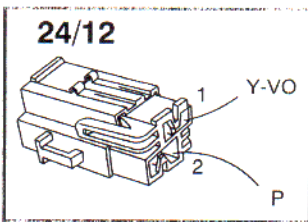
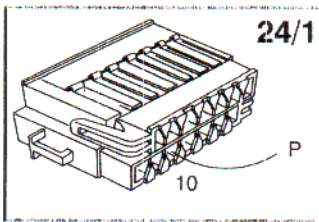
31/44

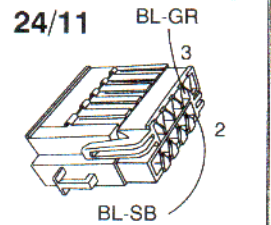
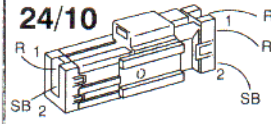
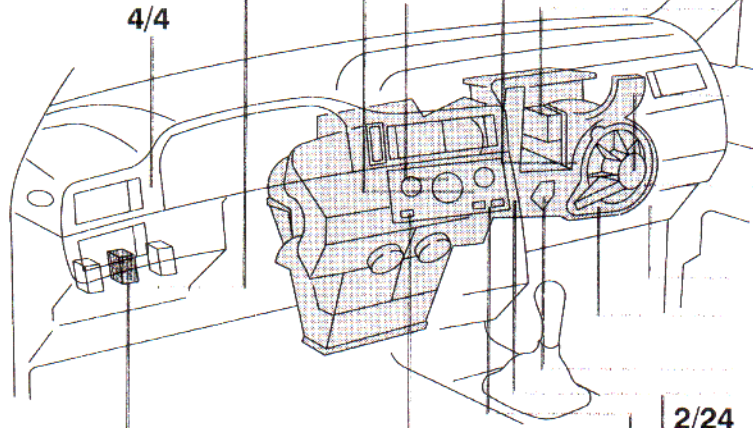
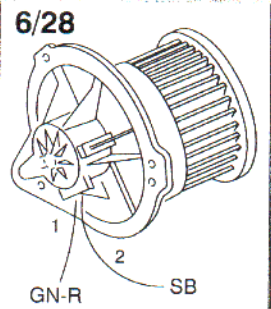
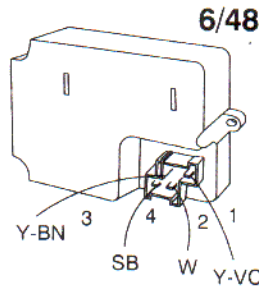
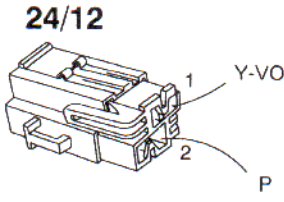
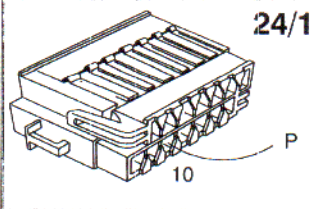


31/47

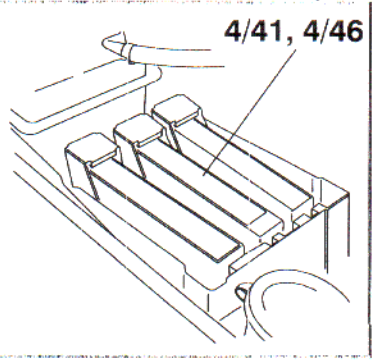
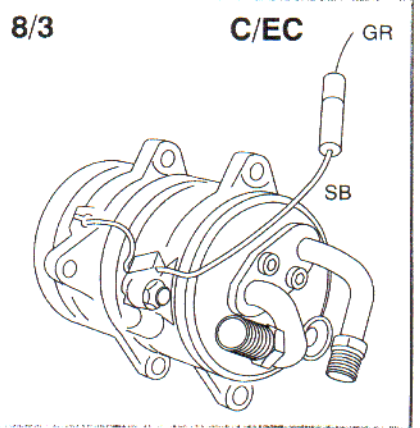
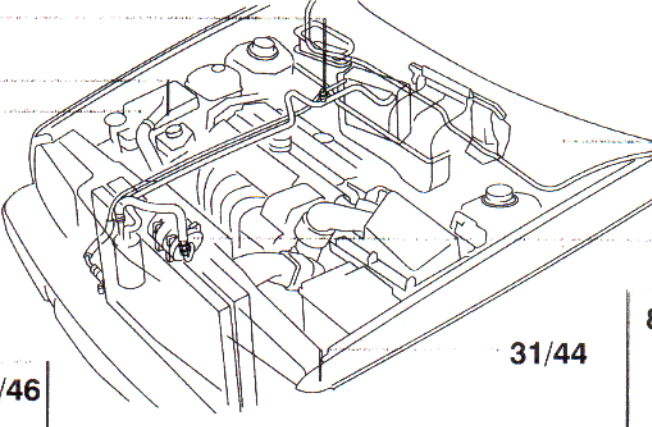
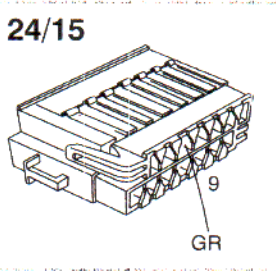
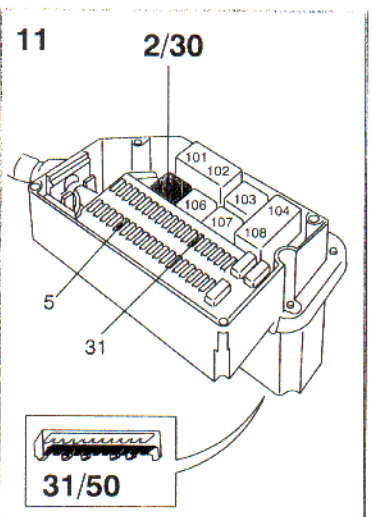
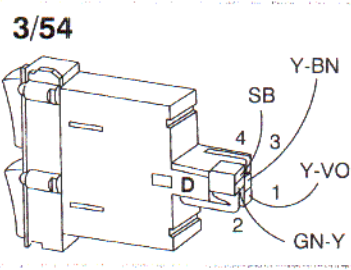
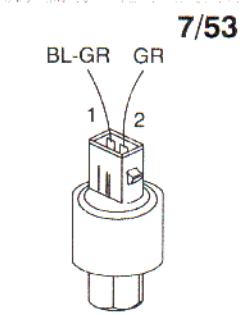
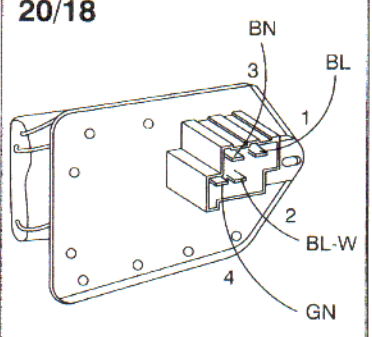
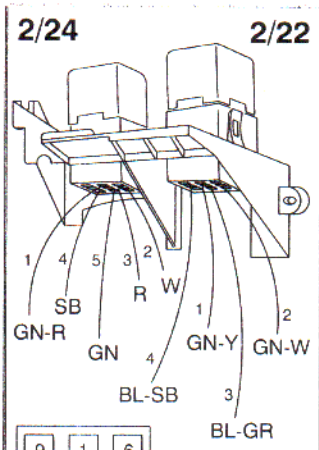
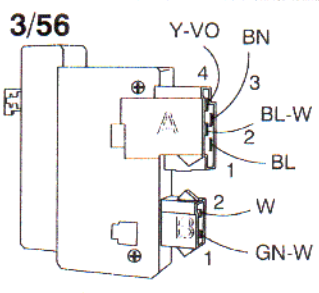
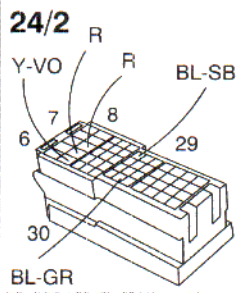


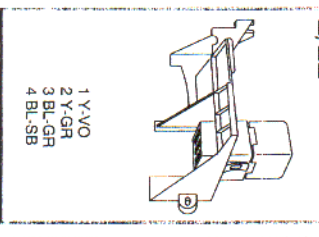
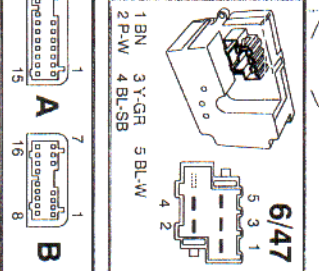
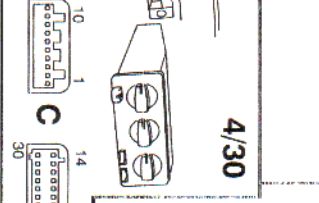
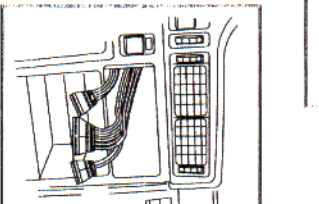
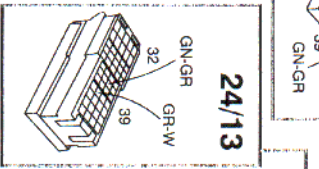
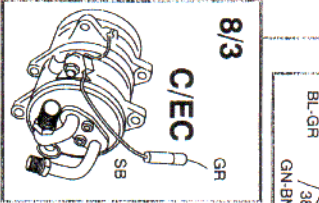
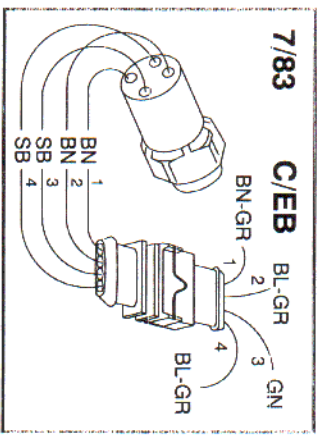
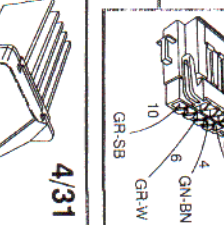
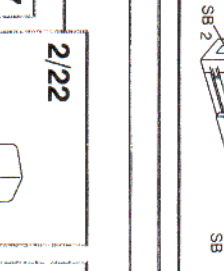
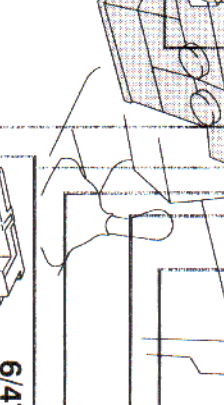
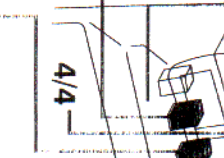
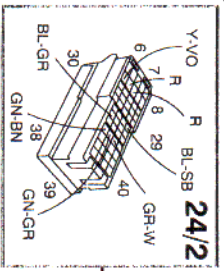
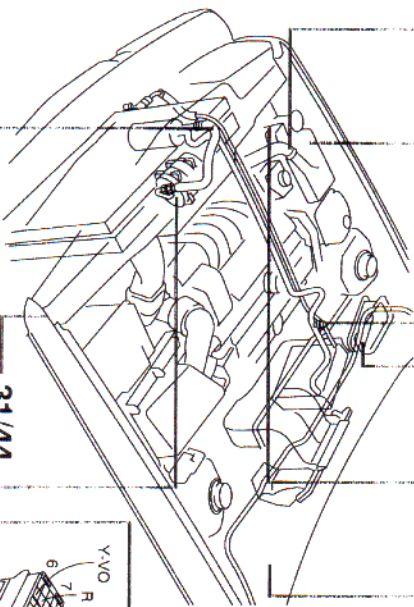
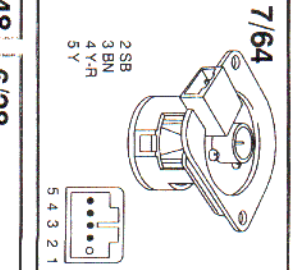
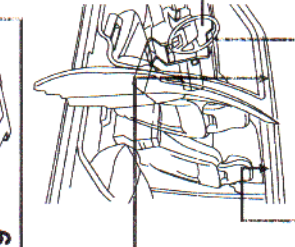
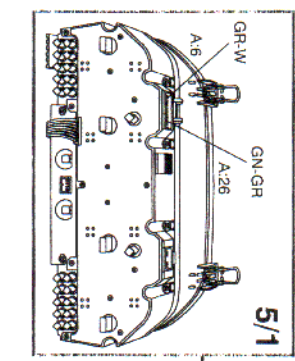
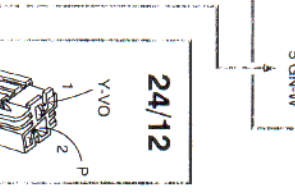
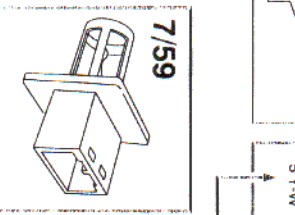
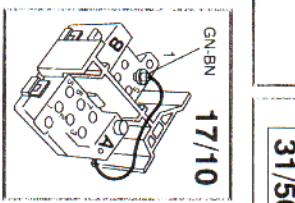
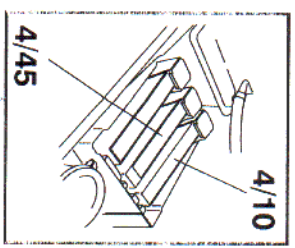
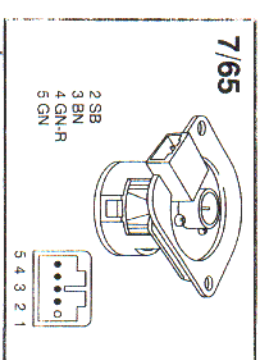
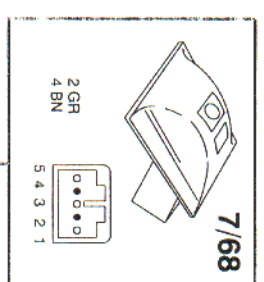
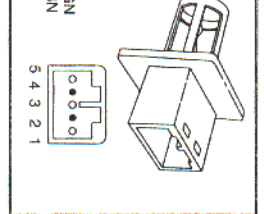
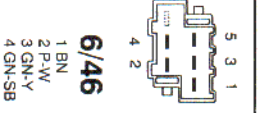
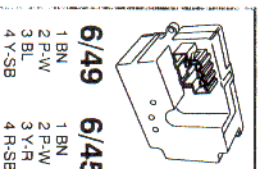
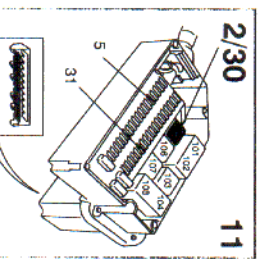
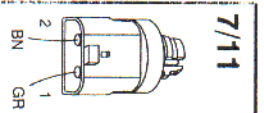
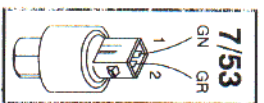
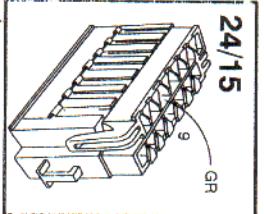


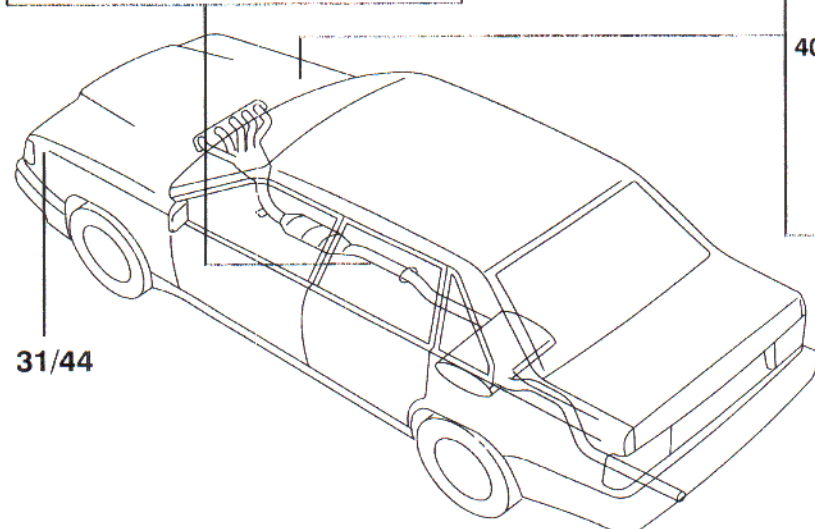
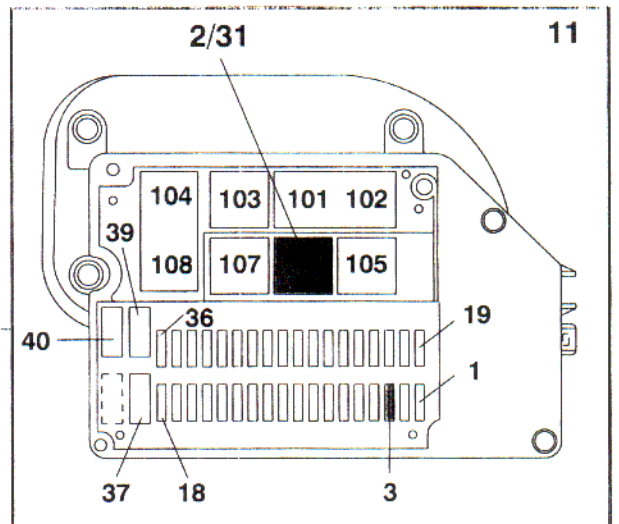
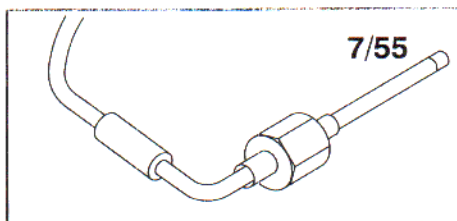
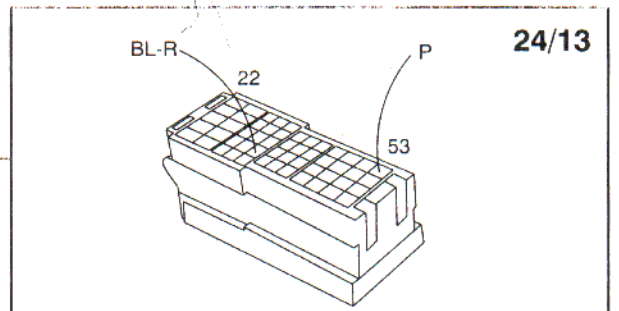
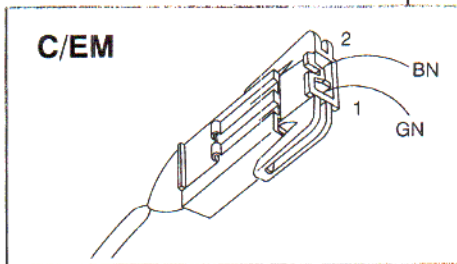
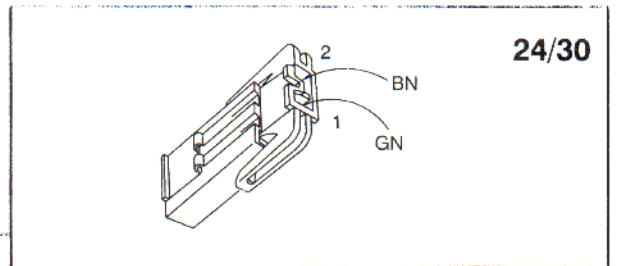
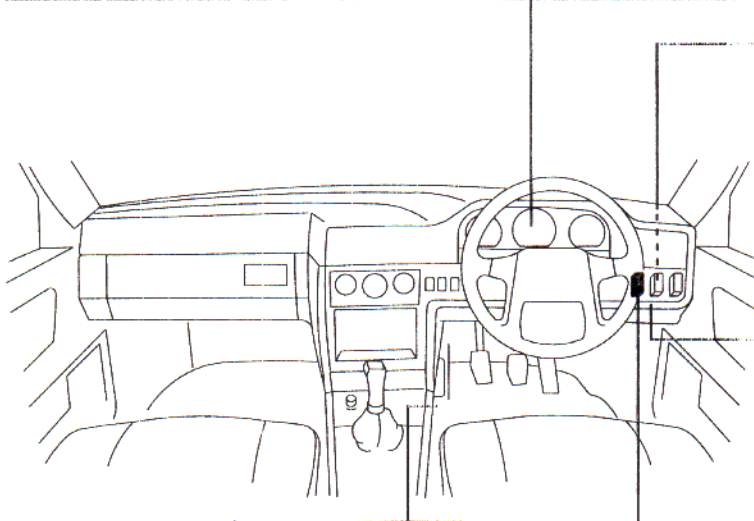
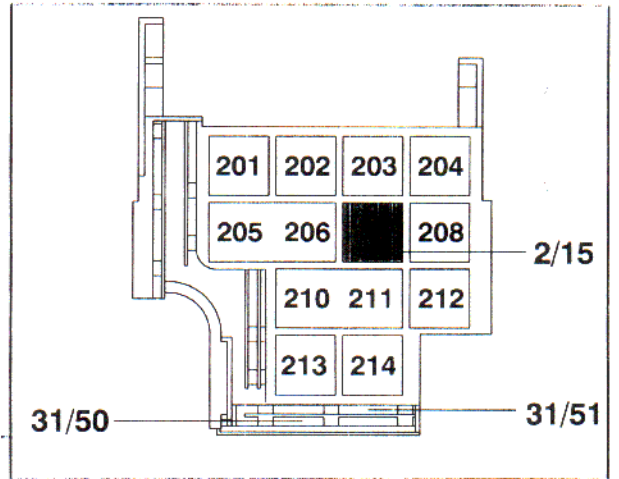
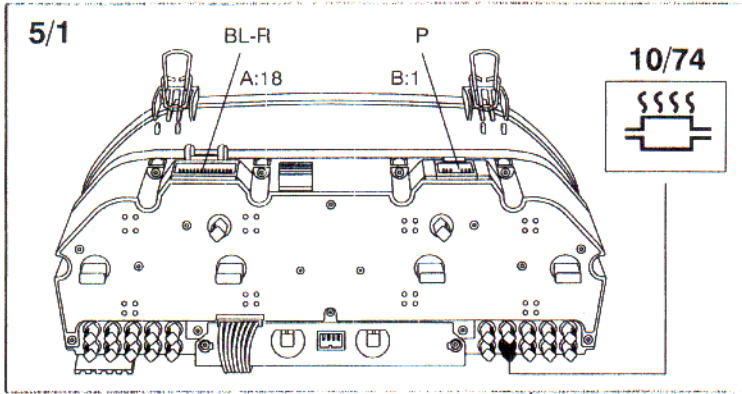




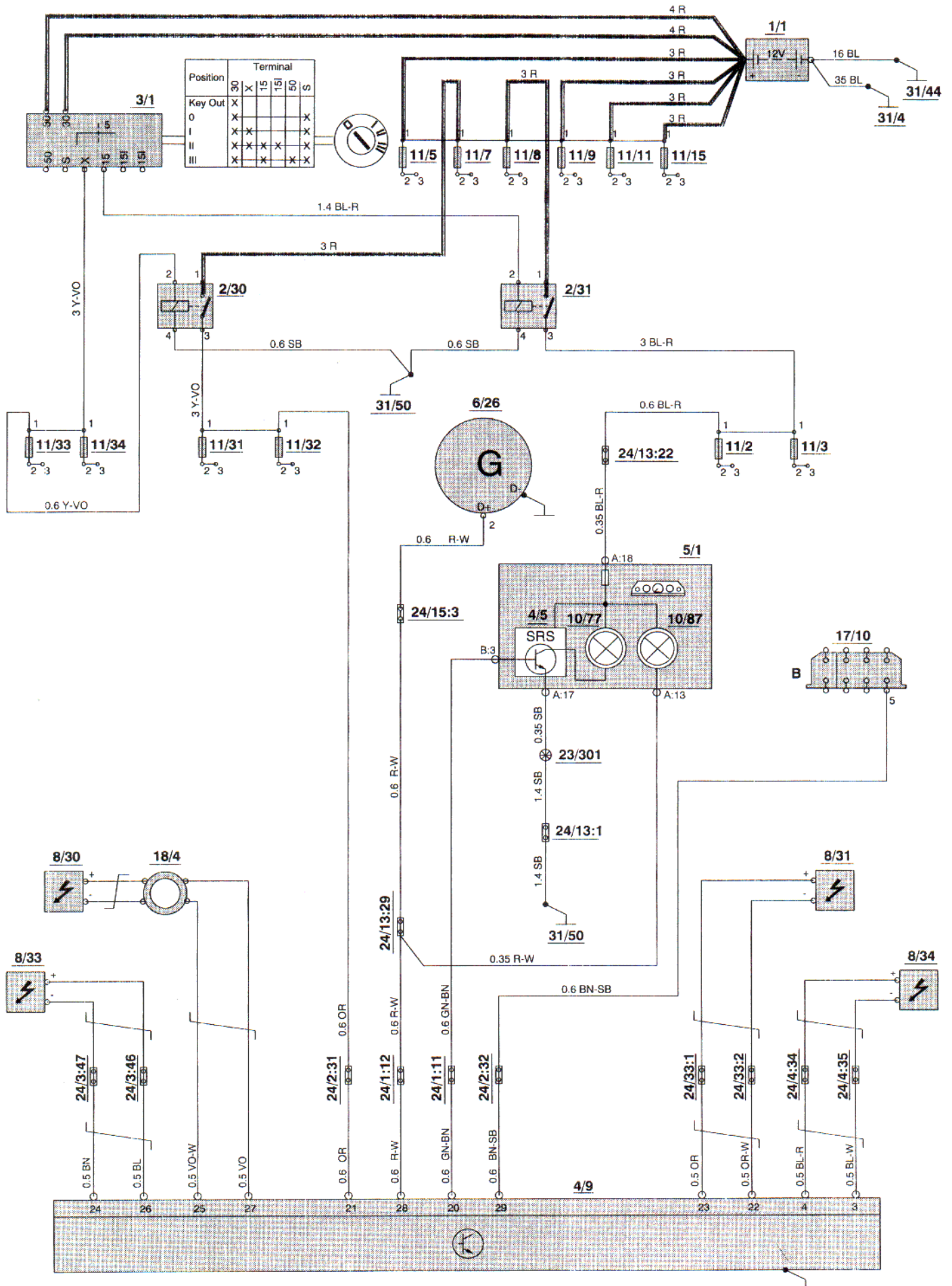
31/15

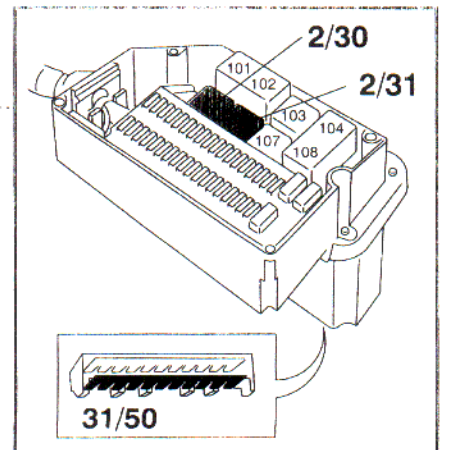
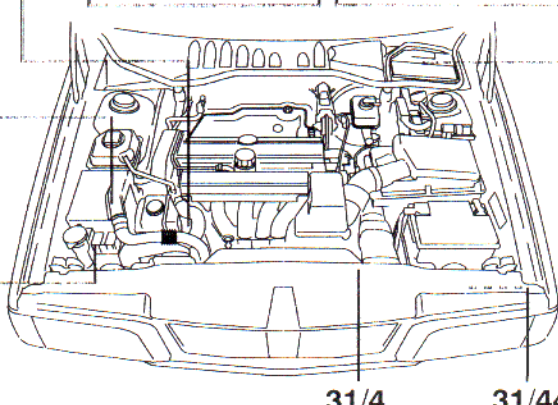
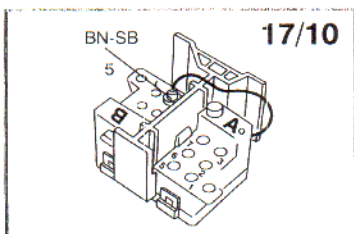
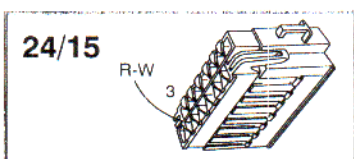
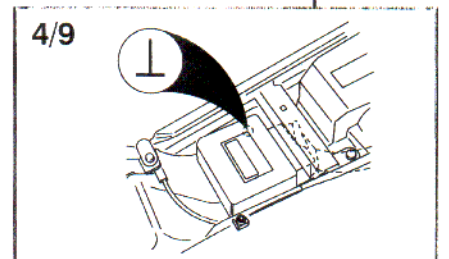
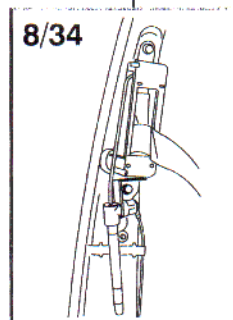
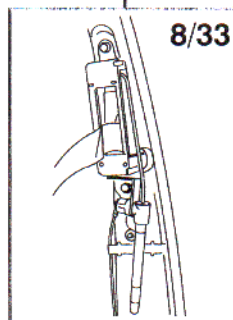
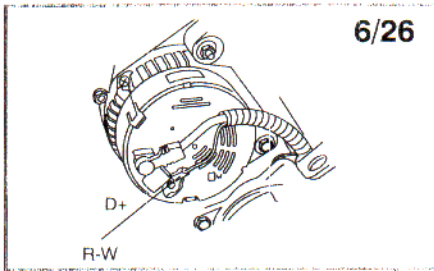
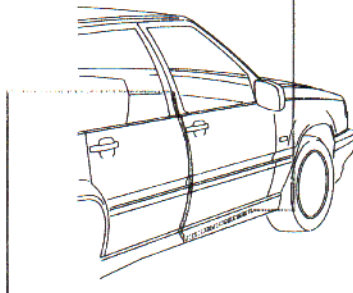
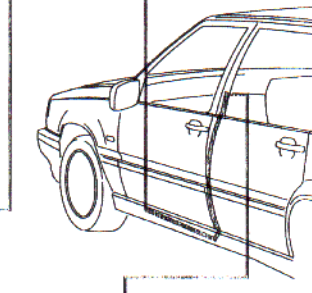
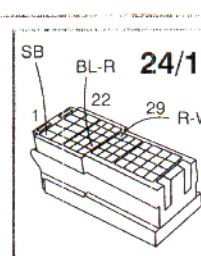
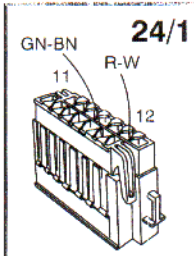
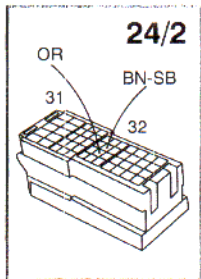
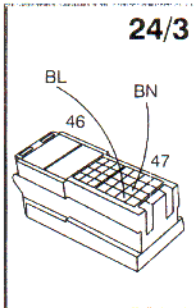
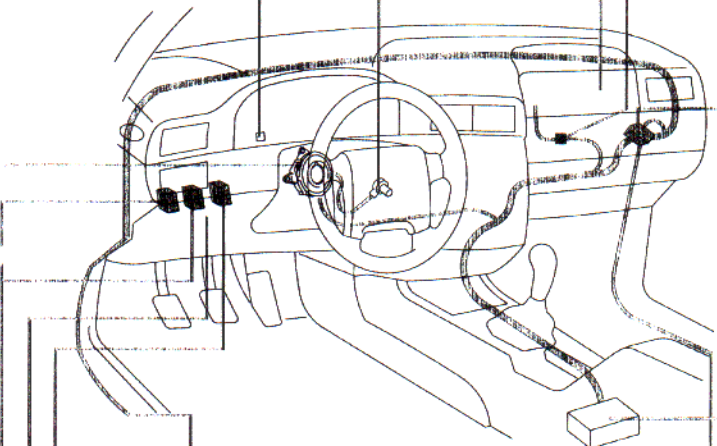
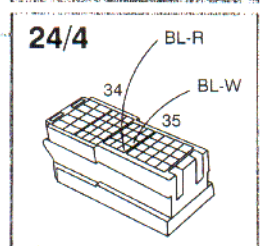
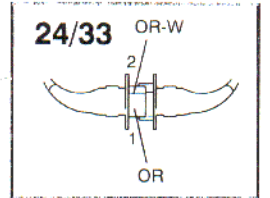
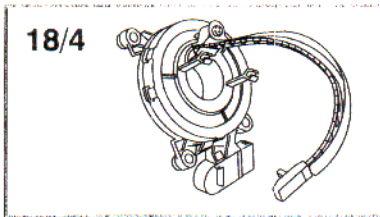
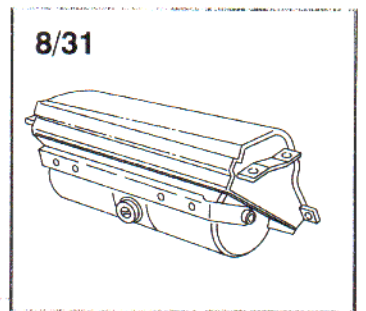
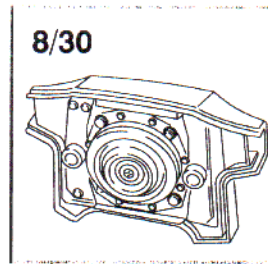
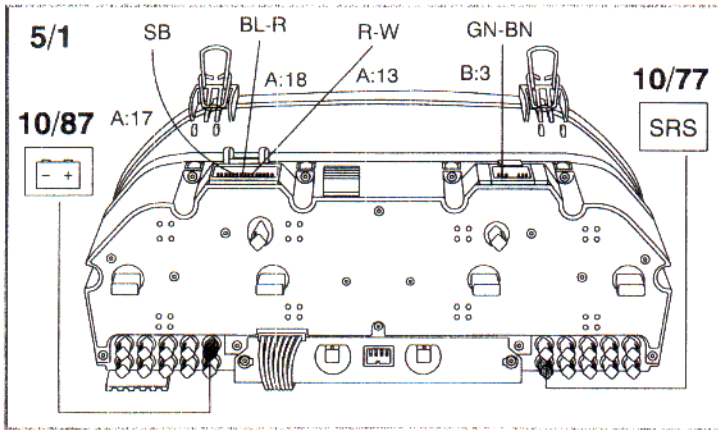




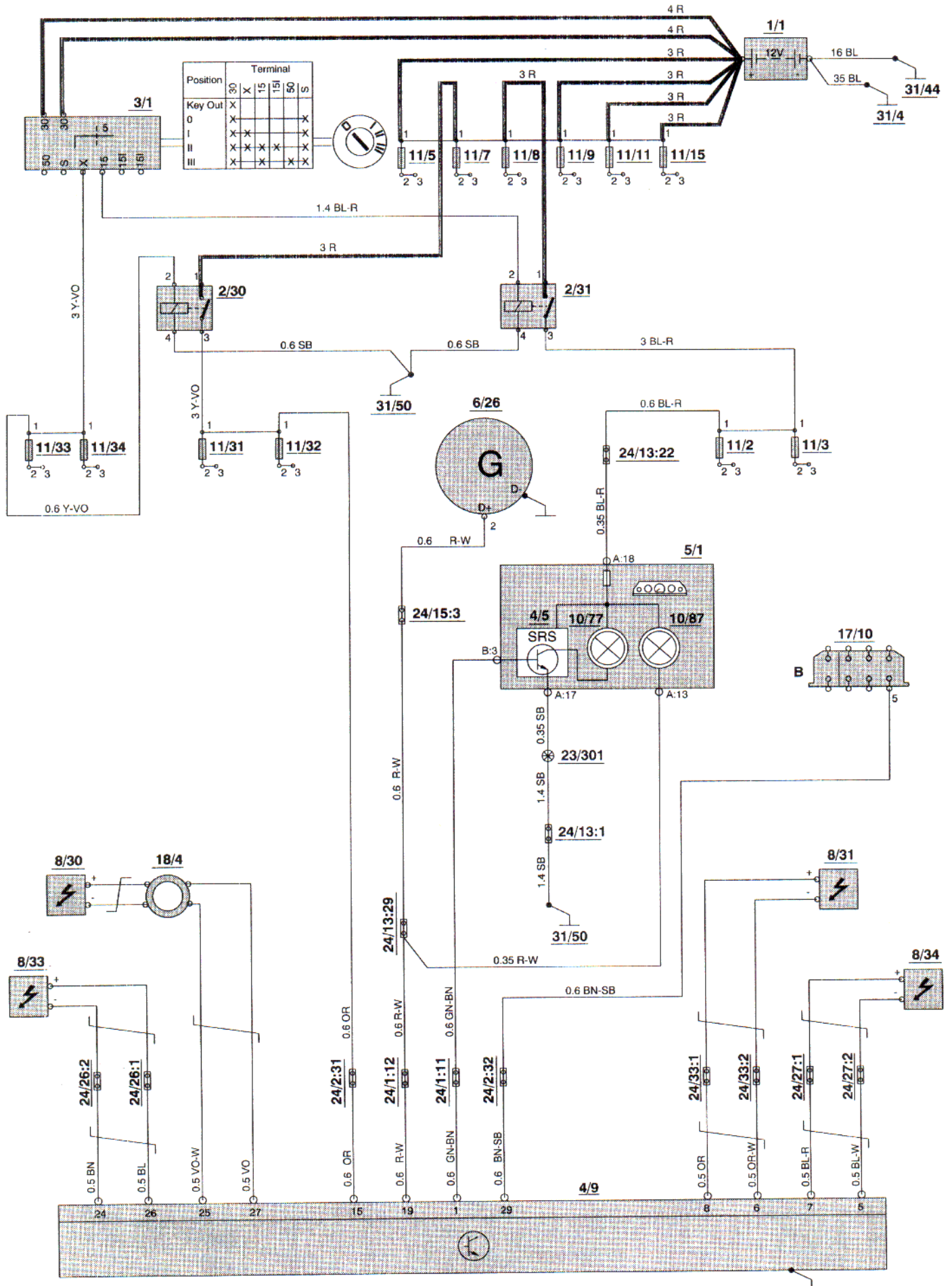


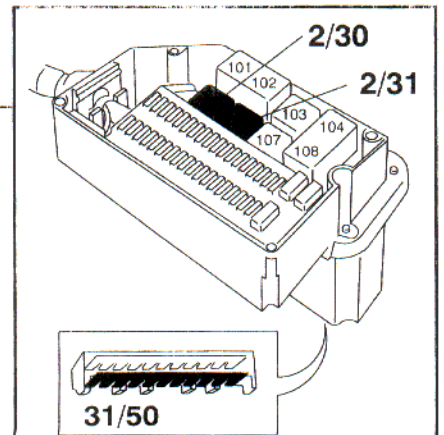
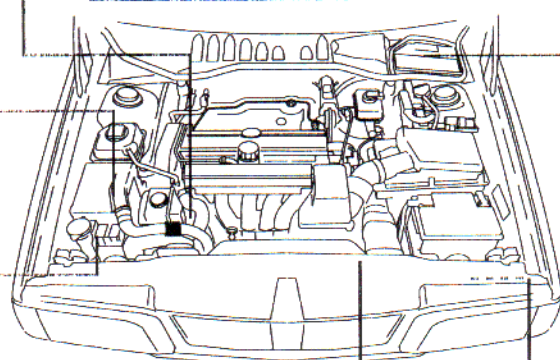
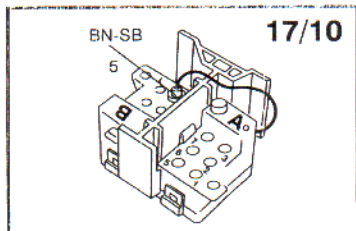
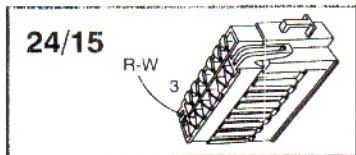
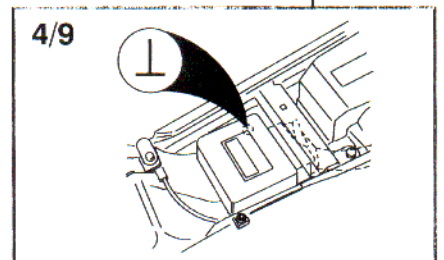
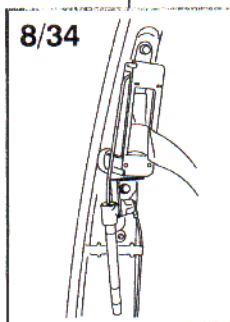
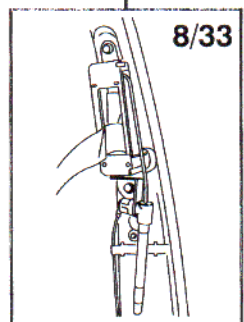
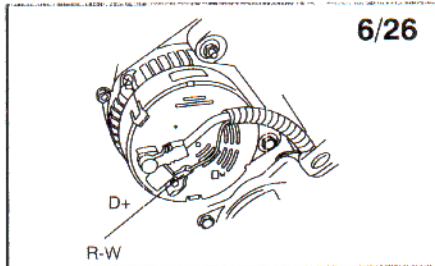
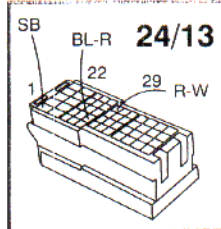
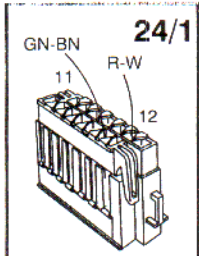
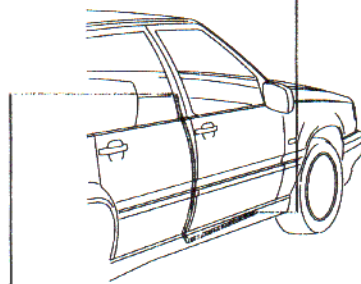
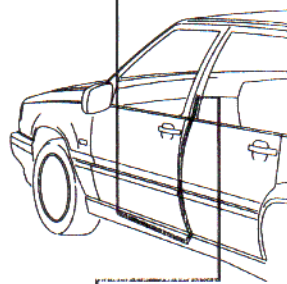
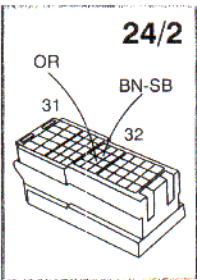
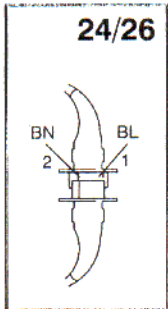
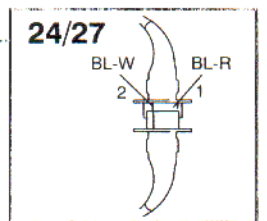
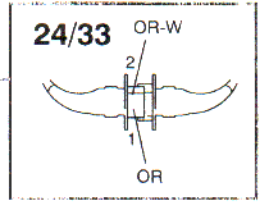
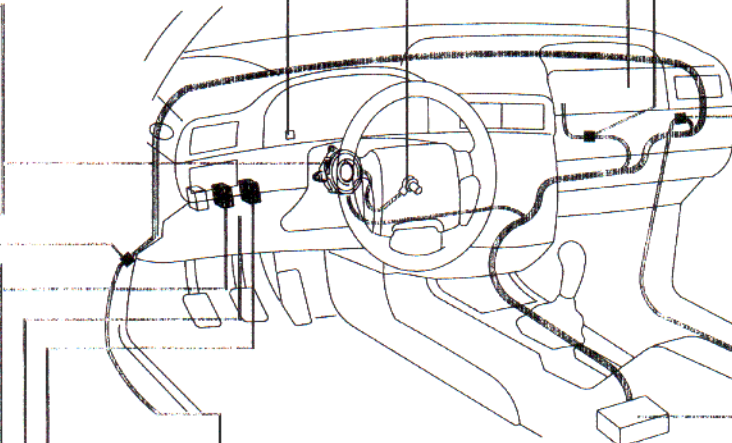
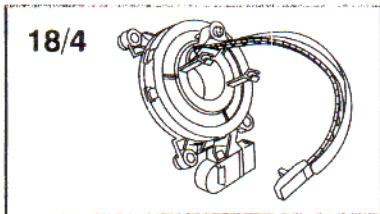
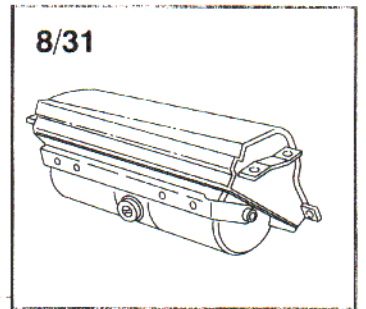
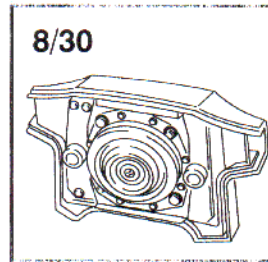
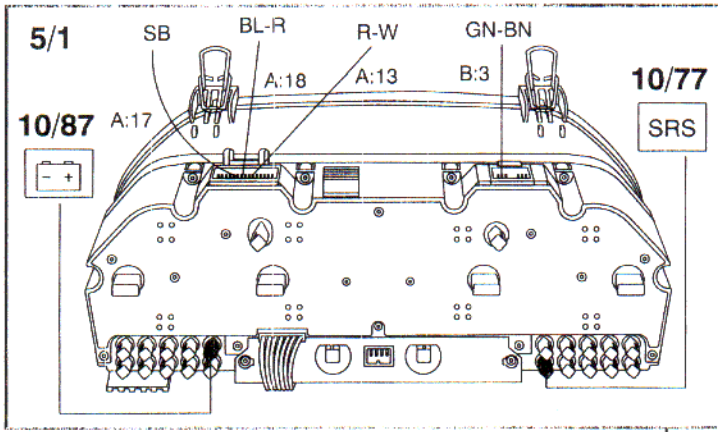
Supplemental Restraint System (SRS)





Supplemental Restraint System (SRS), USA/Canada






31/4

31/44

Component list

1/1	Battery	4/28	Control module, AW 50-42 automatic transmission
2/1	Main headlight relay with bulb malfunction indicator	4/29	Control module, left seat
2/3	Regulator, DIM-DIP	4/30	Control module, ECC
2/4	Windshield wiper intermittent relay	4/31	Power module, heater fan
2/5	Seatbelt reminder/key warning relay	4/33	Control module, power sunroof
2/7	Central lock/delayed courtesy lighting relay	4/34	Voltage regulator, 8 volts
2/11	Engine cooling fan relay	4/35	Voltage regulator, 5 volts
2/15	Relay, exhaust temperature sensor	4/36	Combined instrument microprocessor
2/16	Tailgate wiper intermittent relay	4/37	Control module, right seat
2/22	A/C relay	4/41	Control module, Fenix 5.2 MFI
2/23	Fuel pump relay	4/44	DI power stage and ignition coil
2/24	Fan relay, max.	4/45	Control module, LH 3.2 MFI
2/28	Alarm relay	4/46	Control module, Motronic 4.3 MFI
2/30	Overload relay X+	4/47	Ignition coil, Fenix 5.2 MFI
2/31	Overload relay 15+	4/48	Ignition power stage, Fenix 5.2 MFI
2/32	Main relay fuel system	5/1	Combined instrument
2/42	Combination relay ABS	5/2	Clock module
2/43	Heated rear seat relay	5/3	Ambient temperature/clock module
2/44	Relay, electrically heated rear window/door mirrors	5/4	Trip computer
2/45	Relay, P-shift lock	6/1	Windshield wiper motor
2/47	Relay, deadlock setting	6/2	Washer motor front
2/51	Speed warning	6/3	Right headlight wiper motor
2/53	Air pump relay	6/4	Left headlight wiper motor
2/60	Overload relay X+	6/15	Power sunroof motor
3/1	Ignition switch	6/24	Cruise control vacuum pump
3/2	Light switch	6/25	Starter motor
3/3	Switch, turn signal/high and low beams	6/26	Generator
3/4	Controls, cruise control	6/28	Heater fan
3/6	Switch, hazard lights with flasher relay	6/29	Engine cooling fan
3/8	Switch, el. heated rear window/door mirrors	6/30	Tailgate washer motor
3/9	Brake light switch	6/31	Fuel pump
3/10	Backup (reversing) light switch	6/32	Tailgate wiper motor
3/12	Switch, windshield wipers and washer	6/33	Fuel level sensor
3/13	Switch, tailgate washer and wiper	6/34	Power antenna
3/25	Switch, power sunroof	6/35	Parking heater
3/37	Horn connectors	6/37	Central lock motor, tank cap
3/38	Contact, brake pedal	6/38	Beam width control, left actuator
3/39	Contact, clutch pedal	6/39	Beam width control, right actuator
3/47	Handbrake switch	6/45	Servo motor, temperature shutter, driver's side
3/54	REC and A/C switch	6/46	Servo motor, temperature shutter, passenger's side
3/55	A/C panel lights	6/47	Servo motor, floor and defroster shutter
3/56	Heater fan switch	6/48	Servo motor, recirculation shutter
3/57	Climate control	6/49	Servo motor, ventilation shutter
3/58	Switch, rear fog light	6/50	Motor, left seat backrest
3/59	Beam width control	6/51	Motor, up/down front edge of left seat
3/61	Controls, trip computer	6/52	Motor, up/down rear edge of left seat
3/62	Alarm switch, hood	6/53	Motor, fore/aft left seat
3/63	Program selector, automatic transmission	6/54	Air pump
3/64	Switch for heated rear seat, left side	6/58	Power window motor, left front door
3/69	Switch for heated rear seat, right side	6/59	Power window motor, left rear door
3/71	Transmission range selector indicator	6/60	Power window motor, right front door
3/72	Kick-down switch on throttle controls	6/61	Power window motor, right rear door
3/74	Lock, left front	6/62	Power door mirror, left side
3/75	Lock, right front	6/63	Power door mirror, right side
3/76	Lock, left rear	7/1	Bulb malfunction indicator, rear
3/77	Lock, right rear	7/4	Brake fluid level sensor
3/78	Lock, boot	7/5	Washer fluid level sensor
3/85	Power window switch, left rear door	7/6	Oil pressure sensor
3/86	Power window switch, right rear door	7/11	Ambient temperature sensor, ECC
3/87	Switch, power door mirror, left side	7/15	Heated oxygen sensor (HO2S) (Lambdasond), front
3/88	Switch, power door mirror, right side	7/16	Engine temperature sensor
3/89	Control module, left seat	7/17	Mass air flow (MAF) sensor
3/91	Switch, heated left seat	7/21	Camshaft position sensor (CMP)
3/92	Switch, heater right seat	7/23	Knock sensor (KS), rear
3/93	Seat belt lock, left seat	7/24	Knock sensor (KS), front
3/94	Seat belt lock, right seat	7/25	Pulse sensor
3/95	Switch, TRACS	7/31	ABS sensor, left front
3/97	Switch, auto-down relay, power window	7/32	ABS sensor, right front
4/3	Control module, cruise control	7/33	Speedometer sensor
4/4	Rheostat	7/35	Oil level sensor
4/5	Safety circuit SRS	7/37	Temperature sensor, EGR
4/9	SRS sensor module	7/43	Thermostat, left seat
4/10	Control module EZK (DI) ignition system	7/44	Thermostat, right seat
4/15	DI power stage and ignition coil	7/47	PTC resistor, pre-heater
4/16	ABS control module	7/50	A/C pressure sensor
4/18	Control module, oil level sensor	7/53	Pressostat, A/C
4/19	Remote control module, central lock/anti-theft alarm		

7/54	Throttle position (TP) sensor	10/54	Lamp, left turn signal, rear
7/55	Thermoelement, 3-way catalytic converter (TWC)	10/55	Left back-up light
7/56	Sensor ABS left rear	10/64	Right high beam
7/57	Sensor ABS right rear	10/66	Right low beam
7/58	Pedal sensor ABS	10/68	Left high beam
7/59	Temperature sensor, left duct	10/70	Left low beam
7/60	Temperature sensor, right duct	10/72	Ashtray lighting, front
7/64	Cabin temperature sensor, driver's side	10/74	Indicator lamp, exhaust gas temperature
7/65	Cabin temperature sensor, passenger's side	10/77	Indicator lamp, SRS
7/66	Rear seat thermostat, left side	10/79	Indicator lamp, winter program and low gear (automatic transmission)
7/67	Rear seat thermostat, right side	10/82	Indicator lamp, ABS
7/68	Solar sensor ECC/indication LED - anti-theft alarm	10/83	Indicator lamp, hand brake
7/69	Ambient temperature sensor, trip computer	10/84	Brake warning lamp
7/73	Coolant level sensor	10/85	Warning light, high beam
7/77	Intake air temperature sensor (IAT sensor)	10/86	Oil pressure warning lamp
7/79	Accelerometer	10/87	Indicator lamp, charging
7/81	Pressure sensor, intake manifold	10/88	Indicator light, bulb malfunction indicator
7/82	Heated oxygen sensor (HO2S) (Lambdasond), rear	10/89	Indicator lamp, rear fog lights
7/83	High-pressure sensor, A/C	10/90	Washer level warning lamp
8/3	Solenoid coupling A/C	10/91	Service reminder indicator
8/5	IAC idling valve	10/92	Indicator lamp, trailer
8/6-10	Injectors	10/94	Indicator lamp, right turn signal
8/15	Hydraulic unit ABS	10/95	Indicator lamp, left turn signal
8/17	EGR converter	10/96	Instrument lighting
8/30	Steering wheel module SRS	10/97	Entry lighting, driver's side
8/31	SRS passenger module	10/98	Ashtray lighting, rear
8/33	Igniter, left belt tensioner	10/102	Entry lighting, passenger side
8/34	Igniter, right belt tensioner	10/105	Fuel level warning lamp
8/36	Solenoid, P-shift lock	10/106	Check engine (malfunction indicator lamp) warning lamp
8/43	Solenoid, aux. air intake	10/107	Indicator lamp, TRACS
8/45	Solenoid, variable intake manifold	10/108	Extra brake light, spoiler
9/1	Cigarette lighter	10/110	Coolant level warning lamp
9/2	Heated rear window	10/113	Alarm warning LED
9/3	Backrest heater pad, left seat	10/114	Vanity mirror lighting, left side
9/4	Backrest heater pad, right seat	10/115	Vanity mirror lighting, right side
9/5	Seat element, left seat	10/117	Indicator lamp, oil level
9/6	Seat element, right seat	11/1-40	Fuses
9/8	Seat element, left rear seat	15/2	30 rail in central electrical unit
9/9	Backrest element, left rear seat	15/4	15l rail in central electrical unit
9/10	Seat element, right rear seat	15/8	X rail in central electrical unit
9/11	Backrest element, right rear seat	16/1	Radio
10/1	Left front light	16/3	Loudspeaker right front door
10/2	Right front light	16/4	Loudspeaker left front door
10/9	Left parking light and turn signal, front	16/5	Loudspeaker right rear door
10/10	Right parking light and turn signal, front	16/6	Loudspeaker left rear door
10/11	Left parking light, front	16/7	Loudspeaker, instrument panel, right side
10/12	Right parking light, front	16/8	Loudspeaker, instrument panel, left side
10/13	Left turn signal, front	16/9	Antenna
10/14	Right turn signal, front	16/10	Horn 1
10/15	Left side indicator light	16/11	Horn 2
10/16	Right side indicator light	16/16	Antenna booster
10/17	Right tail light	16/17	Loudspeaker, rear shelf/D-post, left side
10/18	Left tail light	16/18	Loudspeaker, rear shelf/D-post, right side
10/19	High-level brake light	16/19	Alarm signal
10/20	Number plate light	17/1	Service socket for starter motor
10/22	Inside light, ceiling	17/7	OBD (Diagnostic) socket A
10/24	Trunk lighting	17/10	OBD (Diagnostic) socket B
10/26	Reading light, left rear	17/13	OBDI (Diagnostic) socket
10/27	Reading light, right rear	18/4	Contact reel, SRS
10/29	Glove box lighting	19/1	Temperature gauge
10/30	Warning lamp, left front door	19/2	Tachometer
10/31	Warning lamp, right front door	19/3	Speedometer
10/32	Warning lamp, left rear door	19/5	Fuel gauge
10/33	Warning lamp, right rear door	19/6	Exciter, tachometer
10/37	Cigarette lighter illumination	19/7	Exciter, speedometer, temperature gauge, fuel gauge
10/40	Gear selector light	20/2	Distributor
10/43	Right brake light	20/3-7	Spark plugs
10/44	Right parking light, rear	20/18	Resistor, heater fan
10/45	Right parking/tail light	23/0	Branching point, 30+ supply
10/46	Right rear fog light	23/3	Branching point, injectors -
10/47	Lamp, right turn signal, rear	23/6	Branching point, fuel system main relay
10/48	Right back-up light	23/7	Branching point, fusible link
10/50	Left brake light	23/8	Branching point, signal ground
10/51	Left parking light rear		
10/52	Left parking/tail light		
10/53	Left rear fog light		

Continued on the next page 

23/9	Branching point, signal ground knock sensor (KS)	24/17	Connector, 11-pole
23/10	Branching point, +5V supply		Door sill harness, left - Left rear door harness
23/11	Branching point, injectors +	24/18	Connector, 11-pole
23/13	Branching point, 30+ main relay, fuel system		Door sill harness, right - Right rear door harness
23/100	Branching point, ground 31/44 engine compartment	24/19	Connector, 4-pole
23/101	Branching point, ground 31/44 engine compartment		Door sill harness, right - Rear wheel sensor harness
23/104	Branching point, horn	24/20	Connector, 4-pole
23/105	Branching point, X+ supply		Firewall harness - Power sunroof harness
23/107	Branching point, headlight wiper motors	24/21	Connector, 6-pole
23/201	Branching point, brake light		Door sill harness, left - left seat
23/203	Branching point, ground 31/50, central el. unit	24/22	Connector, 6-pole
23/204	Branching point, 50+ supply		Door sill harness, right - right seat
23/207	Branching point, left turn signal	24/25	Connector, 14-pole
23/208	Branching point, right turn signal		Door sill harness, left - trunk harness
23/209	Branching point, high pressure sensor, A/C	24/26	Connector, 2-pole
23/213	Branching point, OBD (Diagnostic) socket		Firewall harness - belt tensioner igniter harness, left side
23/214	Branching point, OBD (Diagnostic) socket	24/27	Connector, 2-pole
23/300	Branching point, rheostat		Firewall harness - belt tensioner igniter harness, right side
23/301	Branching point, ground, instr./contr. lighting 31/50 centr. el. unit	24/29	Connector, 2-pole at firewall
23/302	Branching point, 30+ supply	24/30	Connector, 2-pole
23/303	Branching point, heater fan, 4th speed		Engine compartment harness thermoelement harness, TWC
23/304	Branching point, ground 31/15 A-post passenger's side via 23/416	24/33	Connector, 2-pole
23/305	Branching point, X+ supply, A/C		Firewall harness - passenger module harness
23/306	Branching point, signal ground servo motors, cabin temperature sensor, ECC	24/34	Connector pos. 38-53 in 53-pole
23/307	Branching point, supply +5V servo motors ECC		Engine compartment harness - Firewall harness
23/308	Branching point, signal ground, temperature sensor ducts, solar sensor ECC	24/35	Connector, 8-pole, accessories
23/309	Branching point 30+ supply ECC	24/35A	Connector 8-pole accessories
23/400	Branching point, central lock unlocking M+	24/35B	Connector 1-pole accessories
23/401	Branching point, central lock locking M-	24/37	Connector, 6-pole
23/405	Branching point, ground 31/7 A-post driver's side		Firewall harness - switch harness heated rear seat
23/408	Branching point, central lock unlocking M+	24/42	Connector, 2-pole, accessories
23/409	Branching point, central lock locking M-	31/4	Ground point, engine
23/410	Branching point, open-door warning		(ground connection battery - engine)
23/411	Branching point, 30+ supply	31/7	Ground point, A-post driver's side
23/412	Branching point, X+ supply	31/11	Ground point, trunk, left side
23/414	Branching point, rheostat	31/12	Ground point, trunk, right side
23/416	Branching point, ground, 31/15 A-post passenger's side	31/15	Ground point, A-post passenger's side
23/417	Branching point, ground 31/11, trunk left side	31/32	Ground point on engine (power ground)
23/502	Branching point, ground, instr. lighting/ power door mirrors / selector aut. transmission	31/33	Ground point on engine (signal ground)
23/503	Branching point, supply, seat heat/power door mirrors	31/44	Ground point, engine compartment
23/601	Branching point, tailgate/trunk, ground 31/11, trunk left side via 23/417		(ground connection battery - body)
24/1	Connector, 14-pole	31/47	Ground point, left cross member
	Instrument panel harness - Firewall harness	31/48	Ground point, right cross member
24/2	Connector, 53-pole	31/50	Ground point, central electrical unit (power ground)
	Engine compartment harness - Firewall harness	31/51	Ground point, central electrical unit (signal ground)
24/3	LHD cars:	31/52	Ground point, DI power stage and ignition coil
	Connector, pos. 26-53 in 53-pole	31/55	Ground point, engine cooling fan
	RHD cars:	31/65	Ground point, steering column
	Connector, 53-pole	C/BA	Connector, 2-pole, at fuel pump
	Firewall harness - Door sill harness, left	C/BB	Connector, 2-pole, fuel gauge
24/4	Connector, pos. 1-37 in 53-pole	C/BC	Connector, 4-pole, power antenna/booster
	Firewall harness - Door sill harness, right	C/CE	Connector, 2-pole, heated left seat
24/5	Connector, 24-pole	C/CF	Connector, 2-pole, heated left seat
	Firewall harness - Left front door harness	C/CG	Connector, 2-pole, heated right seat
24/6	Connector, 24-pole	C/CH	Connector, 2-pole, heated right seat
	Firewall harness - Right front door harness	C/CJ	Connector, 6-pole, cruise control
24/7	Connector, 14-pole	C/CK	Connector 14-pole, power windows
	Firewall harness - Tunnel harness	C/CL	Connector, 6-pole, tailgate wash/wipe
24/9	Connector, 4-pole	C/CM	Connector, 2-pole, heated rear seat, left side
	Firewall harness - Ceiling harness	C/CN	Connector, 2-pole, heated rear seat, left side
24/10	Connector, 2-pole	C/CP	Connector, 2-pole, heated rear seat, right side
	Firewall harness - heater fan / A/C unit	C/CQ	Connector, 2-pole, heated rear seat, right side
24/11	Connector, 10-pole	C/EA	Connector, 1-pole, engine cooling fan
	Firewall harness - A/C unit	C/EB	Connector, 4-pole, high pressure sensor, A/C
24/12	Connector, 4-pole	C/EC	Connector, 1-pole, solenoid switch A/C
	Firewall harness - heater fan / A/C unit	C/ED	Connector, 15-pole, ABS
24/13	Connector, 53-pole	C/EG	Connector, 2-pole, engine coolant temperature (ECT)
	Engine compartment harness - Instrument panel harness	C/EH	Connector, 3-pole, camshaft position sensor (CMP)
24/14	Connector, pos. 1-25 in 53-pole	C/EJ	Connector, 2-pole, impulse sensor
	Engine compartment harness - Door sill harness, left	C/EK	Connector, 2-pole, windshield wiper motor
24/15	Connector, 14-pole	C/EL	Connector, 3-pole, windshield wiper motor
	Engine compartment harness - Engine harness	C/EM	Connector, 2-pole at tunnel
24/16	Connector, 26-pole	C/EN	Connector, 2-pole, EGR temp. sensor
	Engine compartment harness - Front harness	C/EP	Connector, 4-pole, heated oxygen sensor (HO2S) (Lambdasond), front
		C/EQ	Connector, 4-pole, heated oxygen sensor (HO2S) (Lambdasond), rear
		K/1	Relay, auto-down power window

Alphabetical index

ABS brake system and TRACS	128
Accessories	94
Ambient temperature module	110, 112
Anti-theft alarm	86, 88
Automatic transmission	120, 122, 124
Backup (reversing) lights	64
Beam width control	54
Brake lights	60, 62
Bulb malfunction indicator	96
Central electrical unit	5
Central locking	132, 134, 136, 138
Charging circuit and starting system	48
Cigar lighter	84
Climate unit	154, 156, 158, 160
Clock module	110, 112
Combined instrument	102, 106
Component list (fold-out)	at the end of book
Connectors	7, 26, 27
Control lighting	72
Cruise control	46
DIM-DIP headlights	52
Electrical circuitry	90
Engine cooling fan	42, 44
Exhaust temperature sensor (Japan)	162
EZ 129 K Distributor Ignition (DI) system	36
Fenix 5.2 (MFI)	38
Fuel system	36, 38, 40
Fuses	4, 5
Ground connections	34
Hazard warning flashers	74, 76
Headlight beam width control	54
Headlight wash/wipe	80
Heated rear seats	148
Heated rear window and door mirrors	142
Heated seats	146
Heater fan	152
High beam	50, 52
Horn	78
How to use the diagrams	2
Ignition lock and central electrical unit, fuses and relays	5
Ignition system	36, 38, 40
Instrument and control lighting	72
Interior courtesy lighting	68, 70
Key warning	100
LH-jetronic 3.2	36
Low beam	50, 52
Motronic 4.3	40
Number plate lights	56, 58
Oil level and oil pressure sensors	114
On-board diagnostic (OBD) system	92
P-shift lock, automatic transmission	126
Parking lights	56, 58
Power door mirrors	144
Power seat	150
Power sunroof	140
Power supply	48
Power windows	130
Radio	116, 118
Rear foglights	66
Rear window wash/wipe	82
Relays	5, 6
Seat belt reminder	98, 100
SRS Supplemental Restraint System	164, 166
Starting system	48
Tail lights	56, 58
TRACS	128
Trip computer	110
Turn signals	74, 76
Windshield wash/wipe	80
Wiring harness location in the car	26, 27, 28